

Delivery Premium Quality Fans Globally for Healthier Breathing

World's Largest Selection of Fan Products  
World's Most Comprehensive Fan Solutions



Ningbo Longwell Electric Technology Co., Ltd

Headquarter: NO.100, South of Xuxiang River, Yuyao, Zhejiang Province, China 315400

Tell: +86 574 6218 9863

Fax: +86 574 6218 9863

Phone: +86 180 5854 5395

Web: [www.longwellfans.com](http://www.longwellfans.com) | [www.longwell-group.com](http://www.longwell-group.com) | [www.longwell-media.com](http://www.longwell-media.com)

Email: [sales@longwellfans.com](mailto:sales@longwellfans.com)



## LONGWELL TECHNOLOGY

"Born for High-Quality Breathing  
LONGWELL Fans Power Your Equipments"



Professional Manufacturer  
of HVACR Fan & Motors

—— EC Fan with Bracket

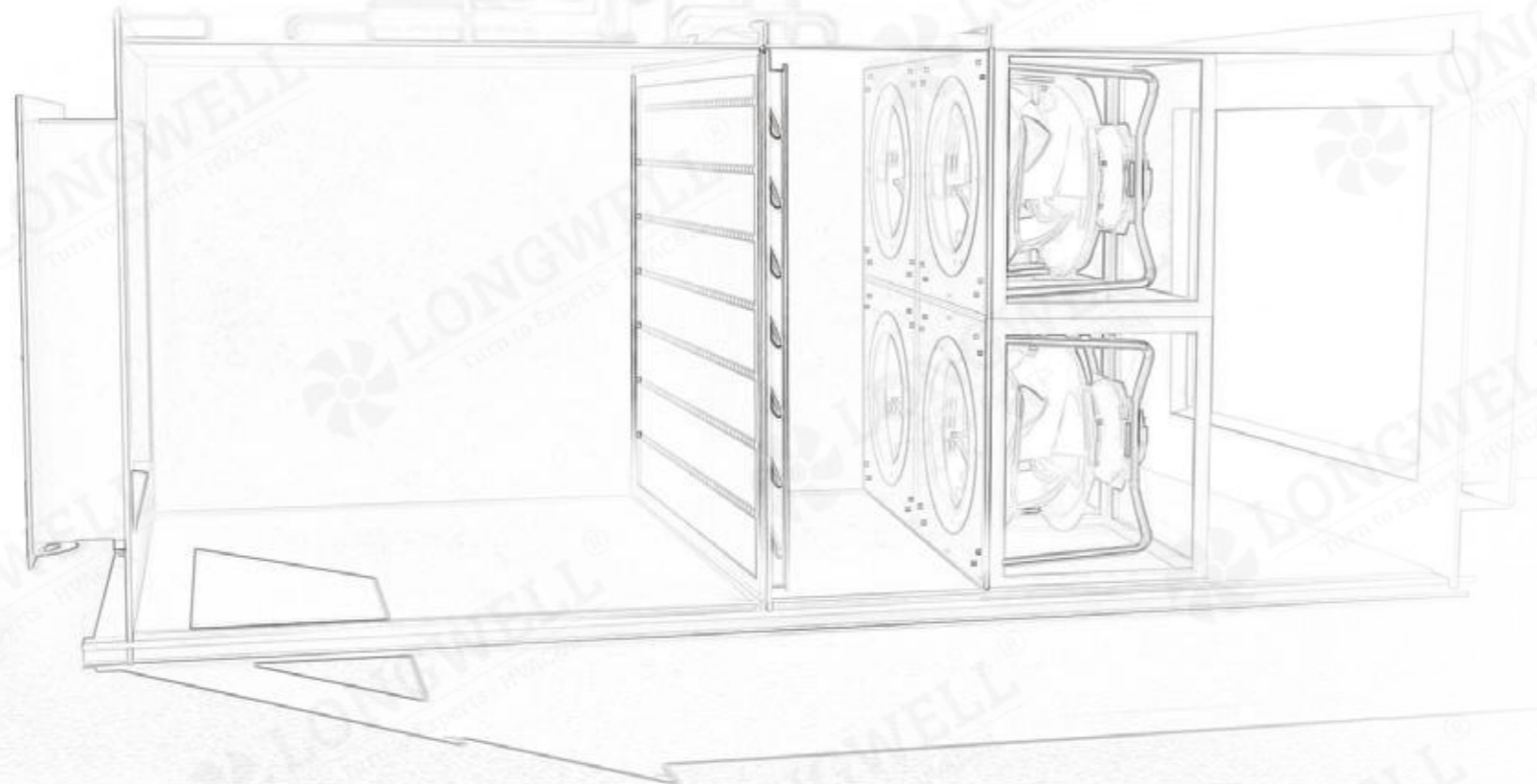
Longwell Group

Longwell-China

Longwell-USA

Longwell-Russia

Longwell-Europe



# CATALOGUE

01-02	About Longwell
03-04	Testing and Standards
05-06	Mainly Application
07	Type Code
08-44	EC Fan with Bracket( $\Phi$ 133- $\Phi$ 250)
45-92	EC Fan with Bracket( $\Phi$ 280- $\Phi$ 355)
93-146	EC Fan with Bracket( $\Phi$ 400- $\Phi$ 630)

# About Longwell

Born for High-Quality Breathing, LONGWELL Fans Power Your Equipment

OEM for Well-Known Brands

Supplies Fortune 500 Companies

Global Technical Support

LONGWELL is a leading fan manufacturer, specializing in high-quality fans, blowers, motors, and components for heating, ventilation, air conditioning, and refrigeration applications. We have a strong presence in delivery capabilities, design and R&D capabilities, as well as manufacturing, placing us at the forefront of the industry.

Our product range includes EC/DC/AC centrifugal fans, axial fans, AC/BLDC cross-flow fans, single/double forward curved fans, AC/BLDC/ECM motors, and industrial fan blowers. Since our establishment in 1990, we have continuously upgraded our facilities and production capacity, boasting advanced testing labs and production facilities with an annual capacity of millions of fans. With over 20 years of experience, we are highly skilled in the design, development, and manufacture of fans and motors. We export to over 30 countries and serve numerous Fortune 500 clients.

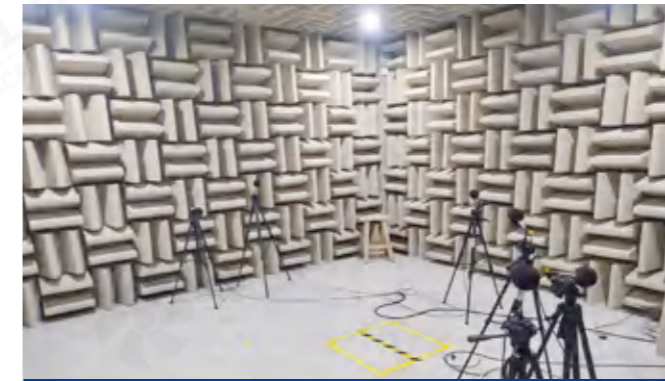
Our facilities and products are compliant with certifications such as ISO9001, ISO14001, BSCI, CE, UL/ETL, CCC, EMC, and LVD. These certifications demonstrate our compliance in quality management, environmental management, social responsibility, and product safety. We are quality-oriented and dedicated to providing products and services that meet international standards.

Equipped with advanced testing labs and production facilities, including a B&K noise lab, CFD simulation lab, air dynamics test chambers, automatic welding machines, CNC machining centers, and auto robot injection machines, we ensure efficient production and on-time delivery.

As industry leaders, we prioritize technological innovation and efficiency. We employ advanced technologies such as aerodynamics principles and CFD simulation to ensure precise and efficient fan designs. Additionally, we offer customized services to design and manufacture fan systems according to specific customer requirements. Our focus is on providing high-tech, high-efficiency products that meet our customers' needs and contribute to a better future.

At LONGWELL, innovation is at the core of our operations, driving continuous improvement. With our extensive experience and expertise, we can quickly customize solutions that meet customer needs. We emphasize technological sophistication, utilizing advanced technologies and high-performance materials to deliver products that are efficient, safe, and reliable. Our brand is widely recognized globally, and we are committed to promoting sustainable development and advancing the efficient fan industry.

LONGWELL looks forward to collaborating with you and providing high-quality customized fan and motor solutions. Please feel free to contact us as we work together to create a brighter future.



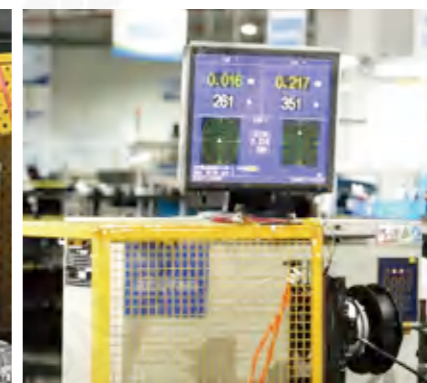
B&K Noise Testing Lab



Production Line



Automatic Welding



Balance Machine



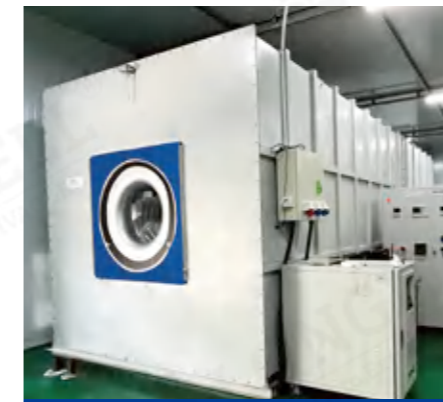
Automatic Welding Machine



Production Line - Centrifugal Fan



Automatic CNC machine



Air Dynamic Test Lab



Production Line - Axial Fans



Production Line

193

Staff

40000m<sup>2</sup>

Floor Space

500<sup>+</sup>

Branding Clients

1 Million<sup>+</sup> PCS

Annual Outputs

6

Overseas offices on spot support

50<sup>+</sup>

Members R&D Team

# Testing and Standards

- ISO GB/T 19001-2016 idt ISO 9001:2015/GB/T 24001-2016 idt ISO 14001:2015/GB/T 45001-2020 idt ISO 45001:2018
- UL 507:2017 Ed.10+R:27/CSA C22.2#113:2018 Ed.11
- BSCI ANSI C63.4:2014/ANSI C63.4a-2017
- EN IEC 55014-1:2021/EN IEC 55014-2:2021/EN IEC 61000-3-2:2019 +A1:2021  
EN 61000-3-3:2013 +A1:2019 +A2:2021 +AC:2022-01  
EN 60335-2-80:2003 +A1:2004 +A2:2009;  
EN 60335-1:2012 +A11:2014 +A13:2017 +A1:2019+A14:2019 +A2:2019+A15:2021  
EN 62321-1:2013/EN 62321-2:2014/EN 62321-3-1:2014  
EN 62321-4:2014+A1:2017/EN 62321-5:2014/EN 62321-6:2015  
EN 62321-7-1:2015/EN 62321-7-2:2017/EN 62321-8:2017



Enterprise Credit Evaluation Certificate - Highest Level in China



Own-Brand



Own-Brand



ETL



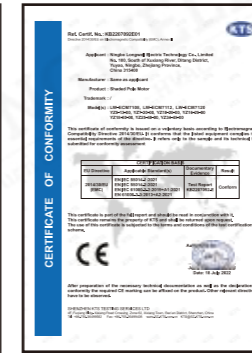
ETL



CE



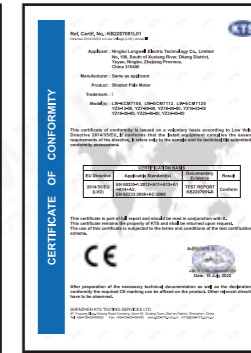
RoHS



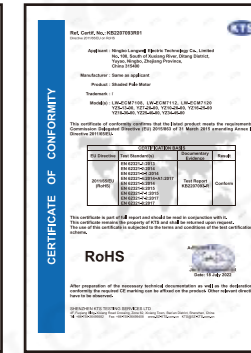
CE



CE



CE



RoHS



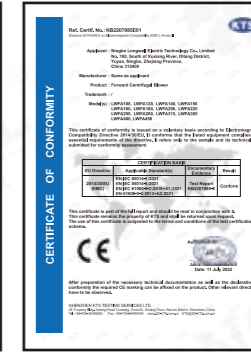
ETL



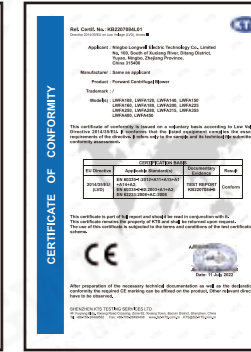
ETL



ETL



CE



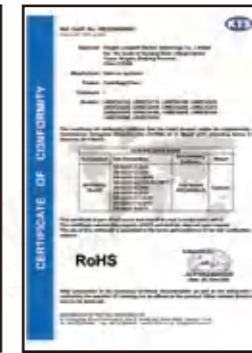
CE



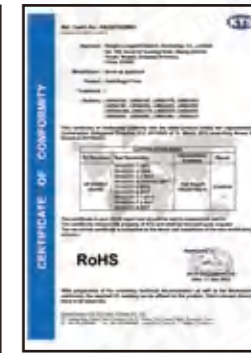
ISO 9001



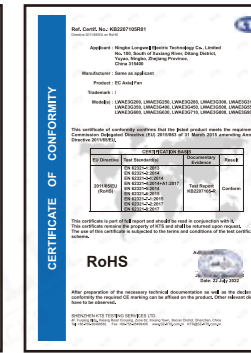
ISO 9001



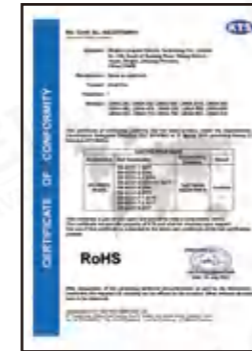
RoHS



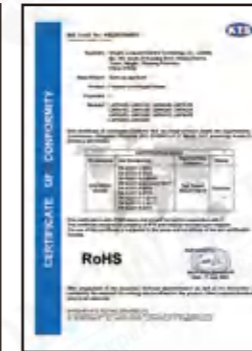
RoHS



RoHS



RoHS



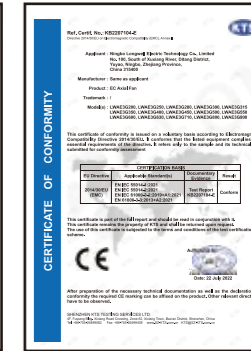
RoHS



CE



CE



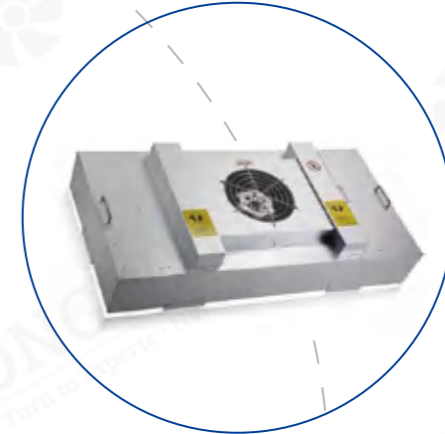
CE

# Mainly Application

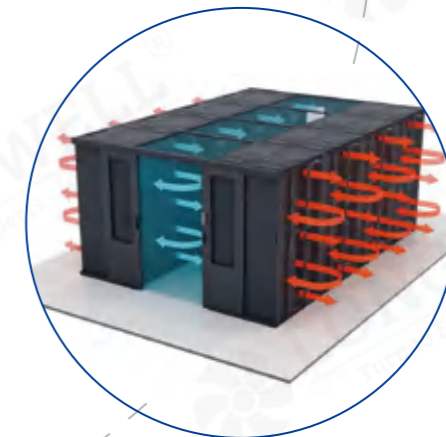
AHU/FCU/FFU/Air Purifier/ Sterilization Equipments/  
Humidiifier equipments/EC Fan Grid ( Wall )



**Ventilation Unit Project**



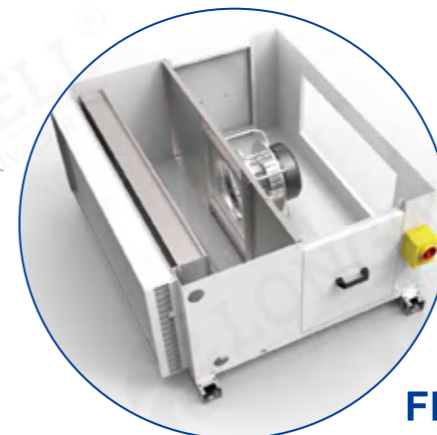
**FFU(Fan Filter Unit) Project**



**Data Center Cooling Project**



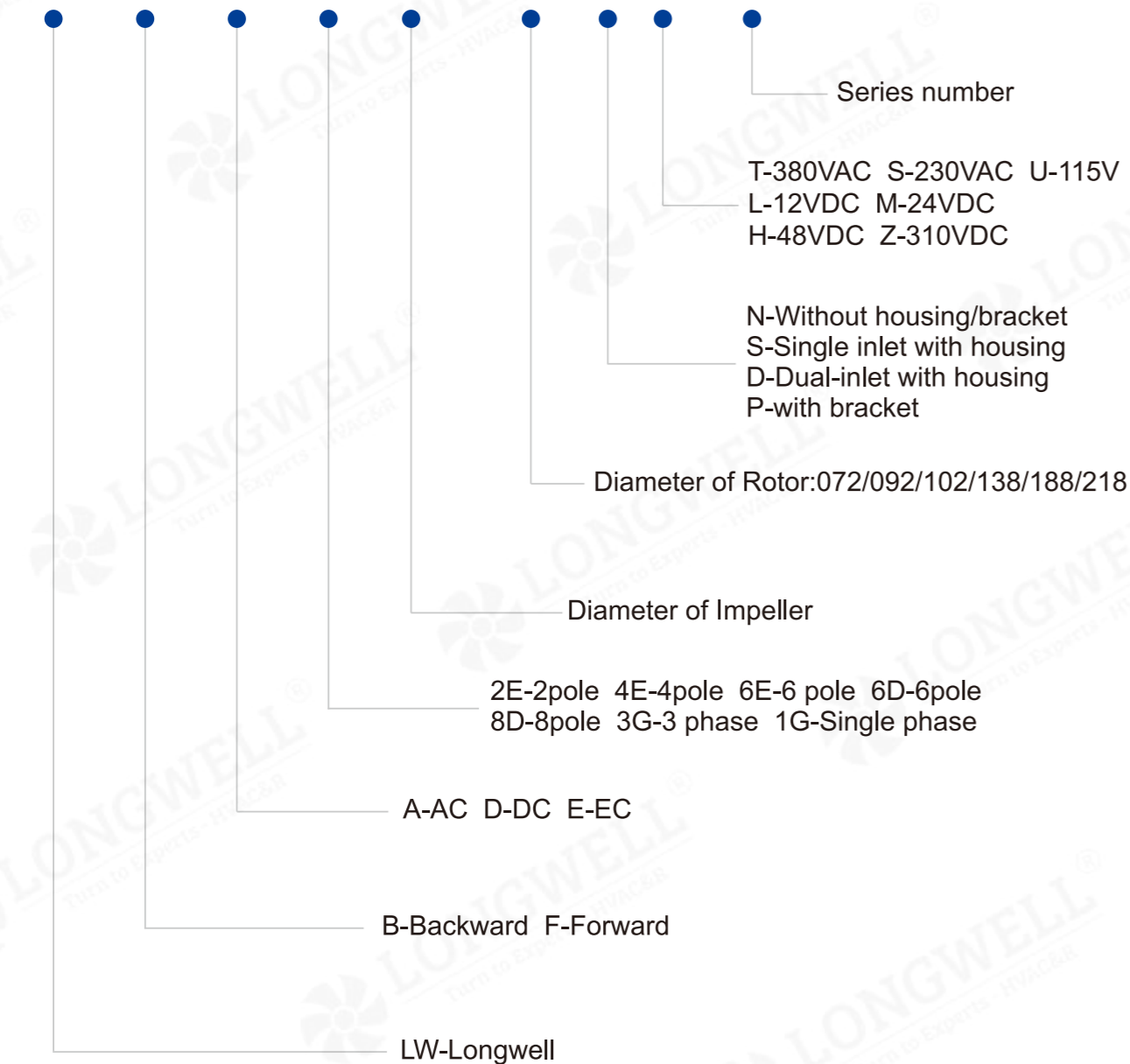
**Ventilation Equipments Project**



**FFU(Fan Filter Unit) Project**

## Type Code

LW B E 3G 133 - 072 P S - 06



# EC Fan with Bracket

Professional HVAC Fan & Motors Manufacturer



# LWBE-133 Serie

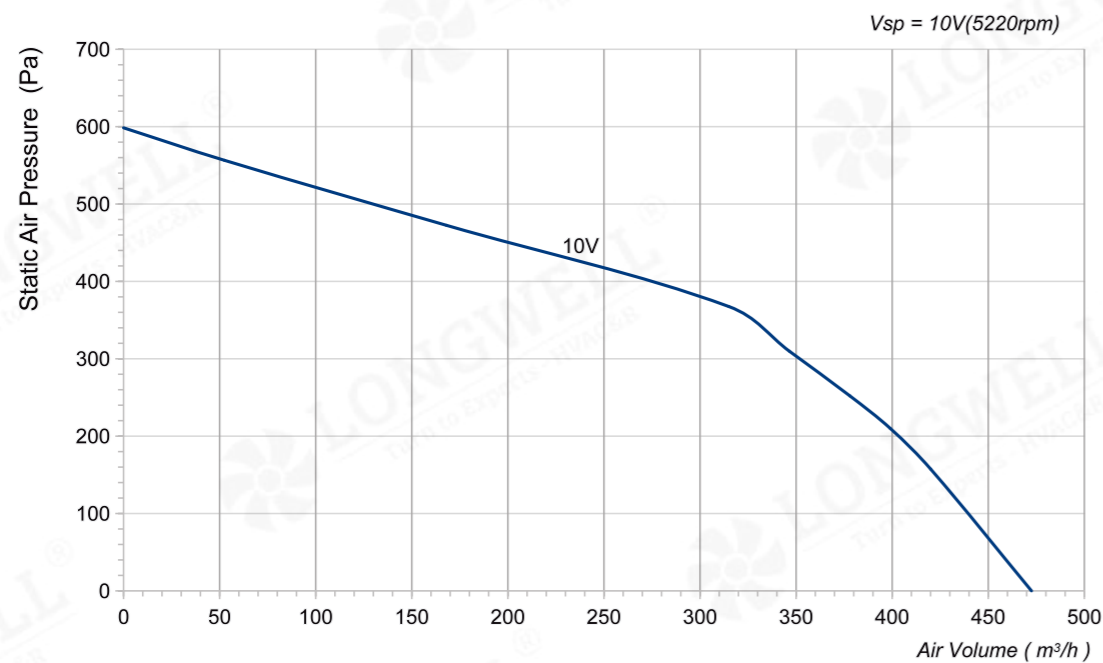
## Product Characteristic

- Impeller Material: Plastic PA66
- Supply Voltage: 230V/115V,50/60Hz
- Mode of Operation: S1
- Protection Class: IP54
- Insulation Class: F
- Operation Temperature: -25 C ~ +60 C
- Technical Feature: Control input 0-10VDC/PWM, Tach output, Locked-Rotor protection, Reverse Polarity Over-voltage protection, Soft Start Protection.

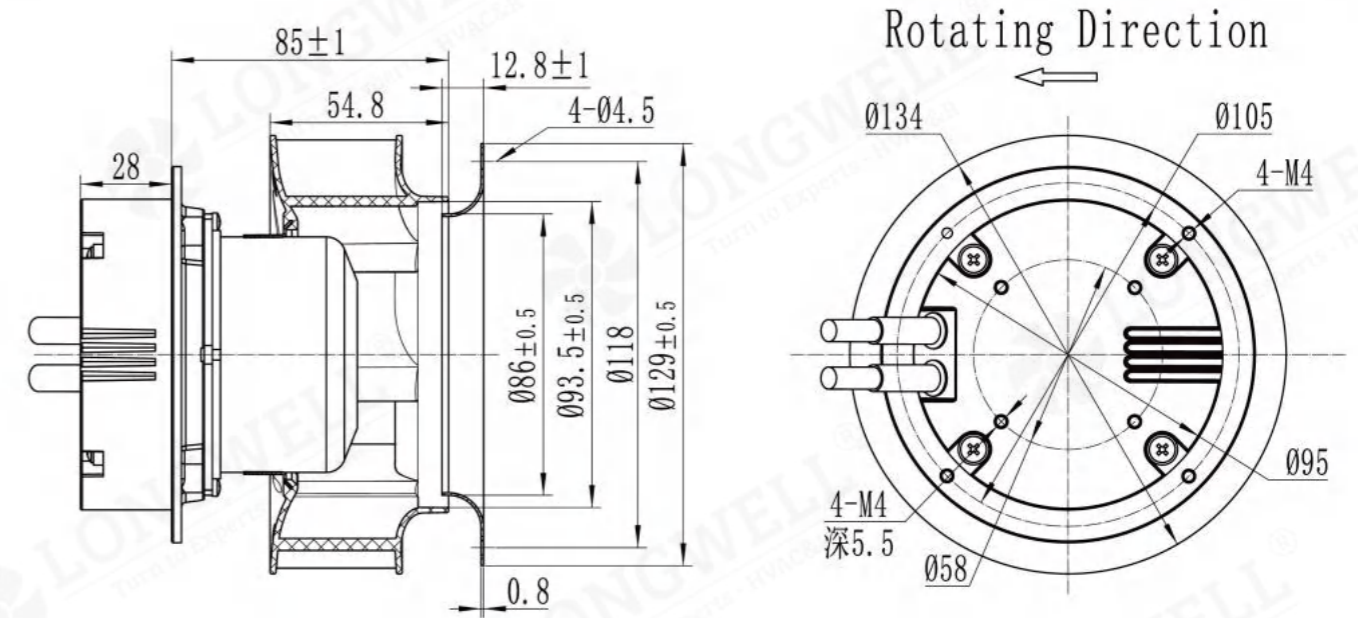


## Technical Specifications

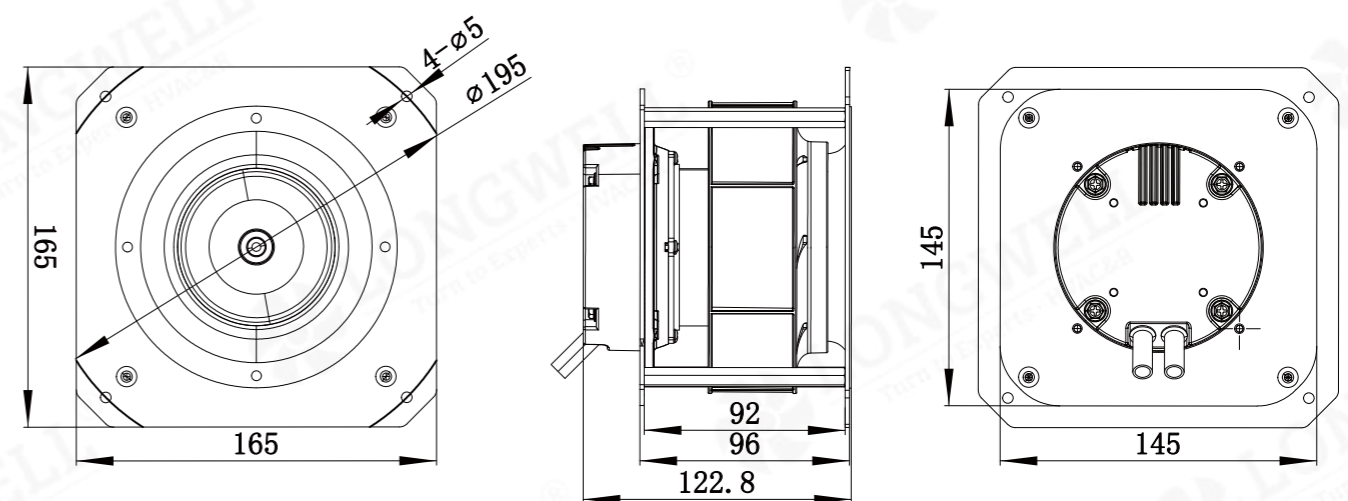
Model	Voltage (V)	Input Power (W)	Current (A)	Air Volume (m³/h)	Static Pressure (Pa)	Speed (RPM)	Noise [dB(A)]
LWBE3G133-072PS-06	230	72	/	473	609	5220	/



### LWBE3G133-072NS-06 (without bracket)



### LWBE3G133-072PS-06 (with bracket)



# LWBE-155 Serie



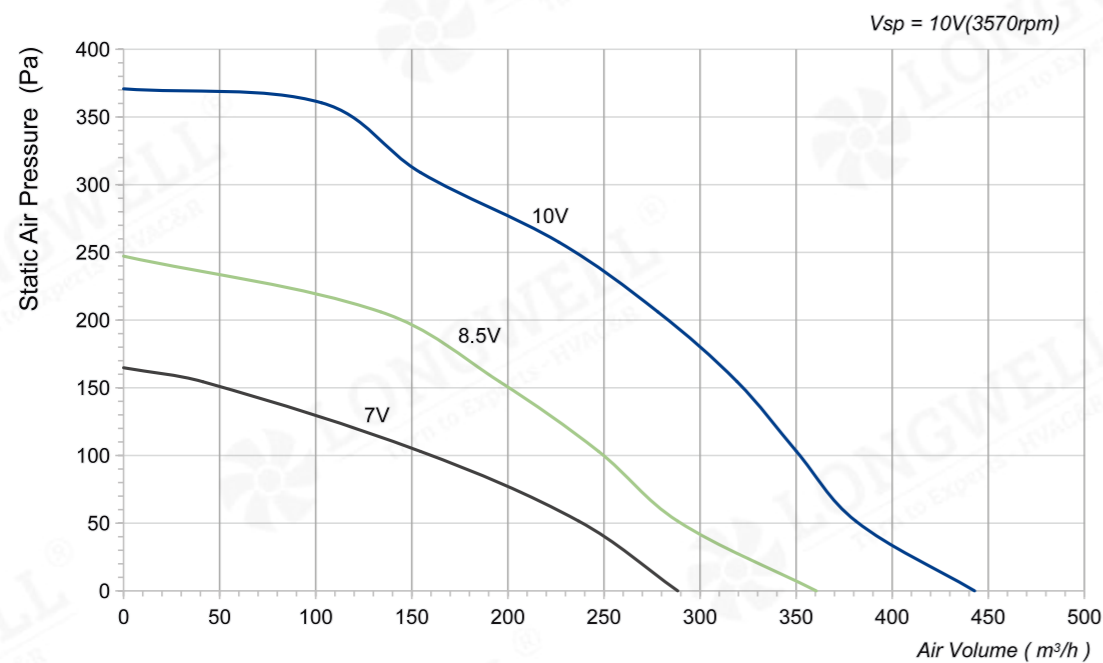
## Product Characteristic

- Impeller Material: Plastic PA66
- Supply Voltage: 230V/115V,50/60Hz
- Mode of Operation: S1
- Protection Class: IP44
- Insulation Class: F
- Operation Temperature: -25 C ~+60 C
- Technical Feature: Control input 0-10VDC/PWM, Tach output, Locked-Rotor protection, Reverse Polarity Over-voltage protection, Soft Start Protection.

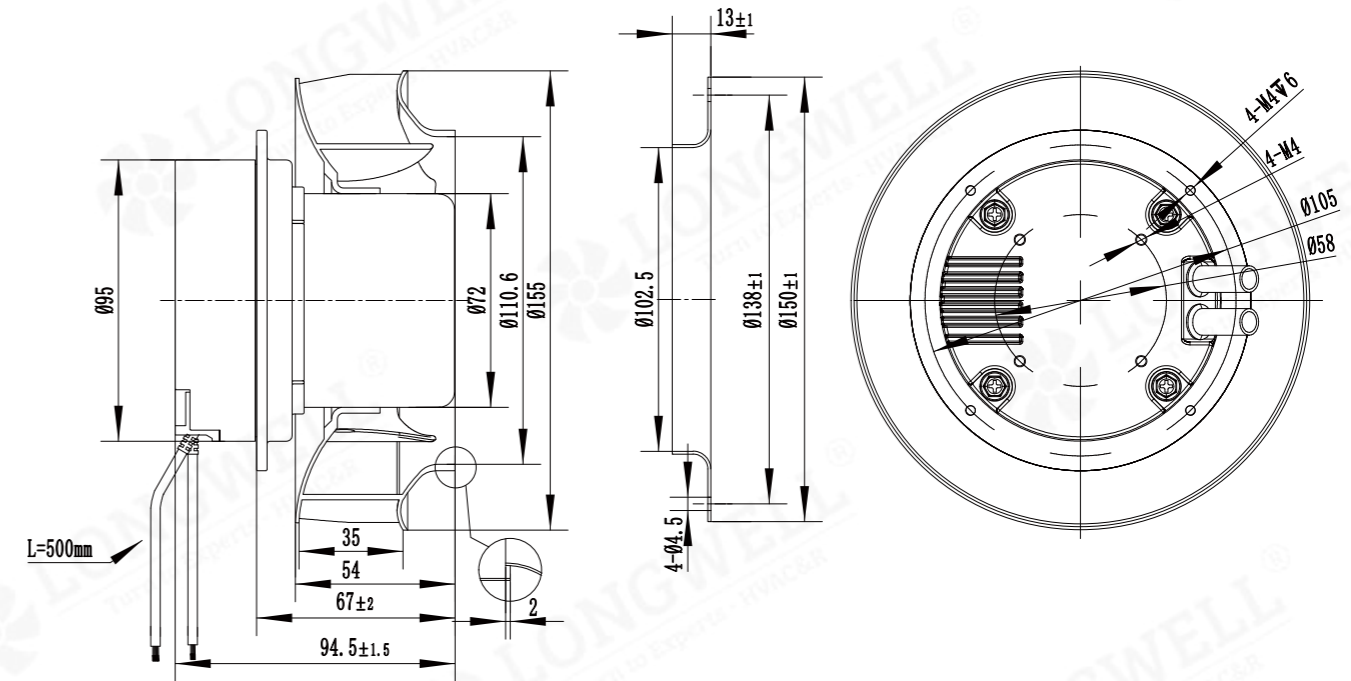


## Technical Specifications

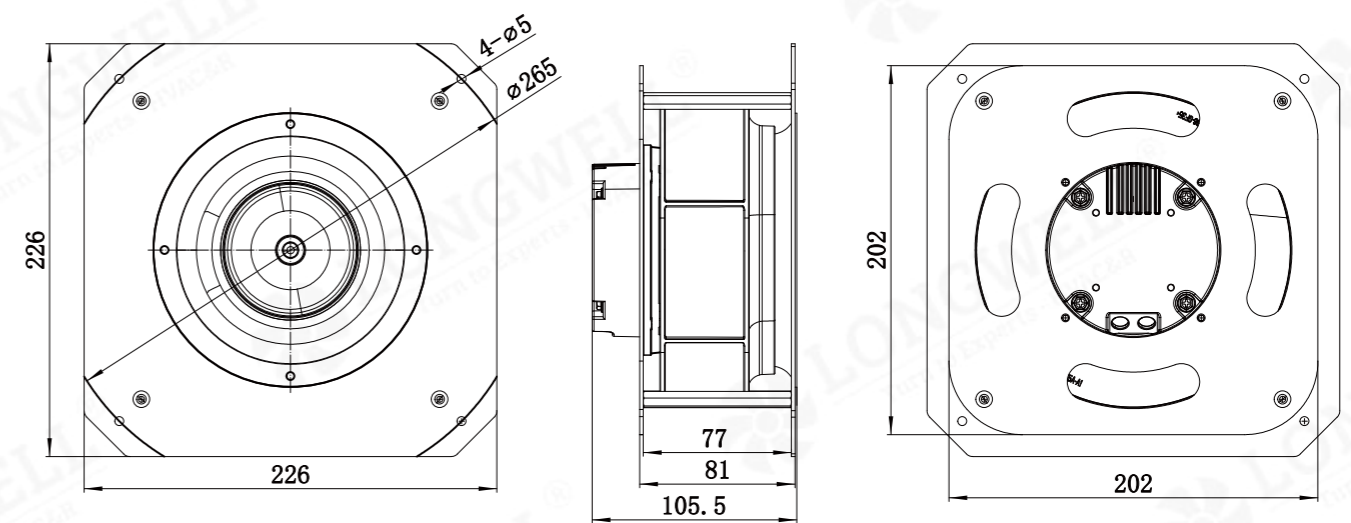
Model	Voltage (V)	Input Power (W)	Current (A)	Air Volume (m³/h)	Static Pressure (Pa)	Speed (RPM)	Noise [dB(A)]
LWBE3G155-072PS-01	230	40	0.3	433	371	3570	63



## LWBE3G155-072NS-02 (without bracket)



## LWBE3G155-072PS-01 (with bracket)



# LWBE-175 Serie



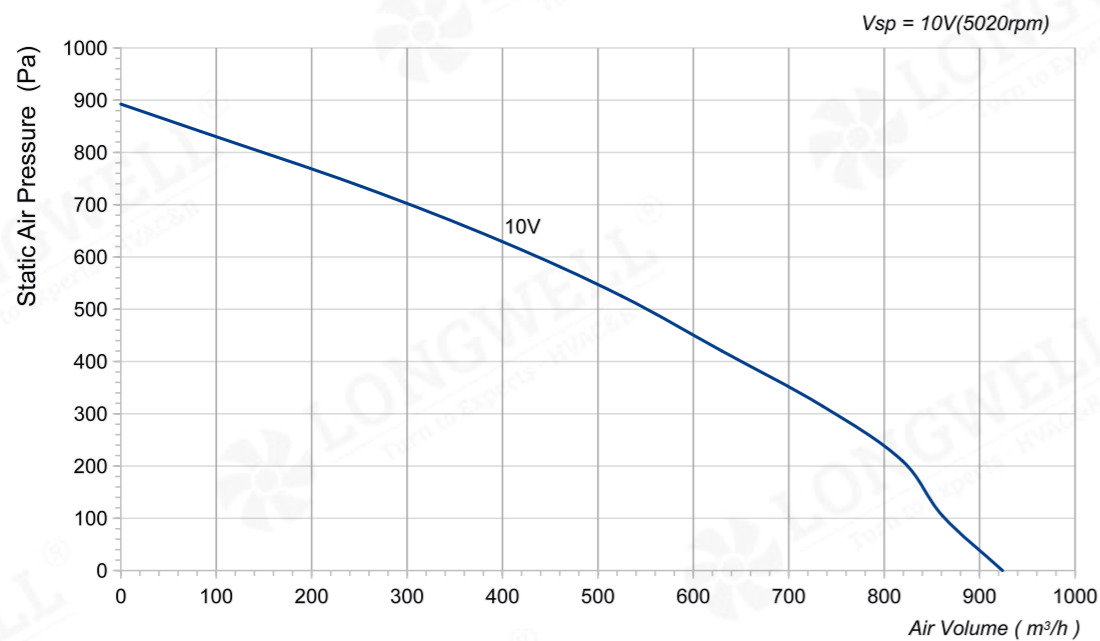
## Product Characteristic

- Impeller Material: Plastic PA66
- Supply Voltage: 230V/115V,50/60Hz
- Mode of Operation: S1
- Protection Class: IP54
- Insulation Class: F
- Operation Temperature: -25 C ~+60 C
- Technical Feature: Control input 0-10VDC/PWM, Tach output, Locked-Rotor protection, Reverse Polarity Over-voltage protection, Soft Start Protection.

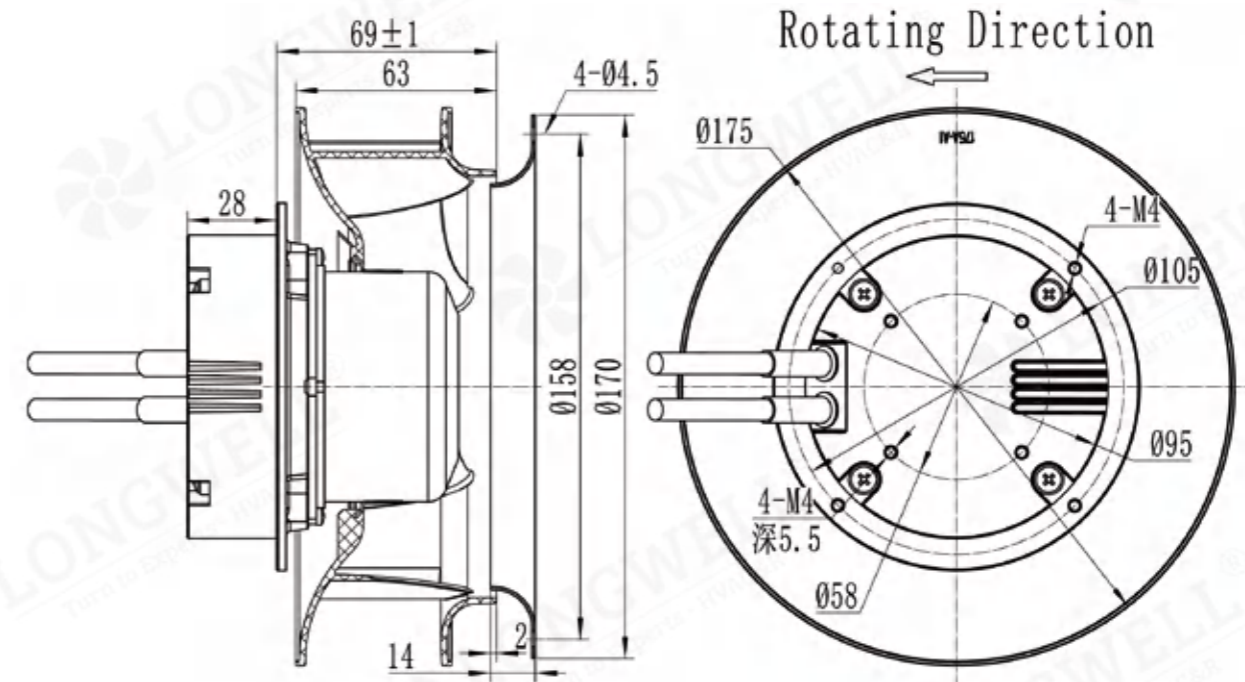


## Technical Specifications

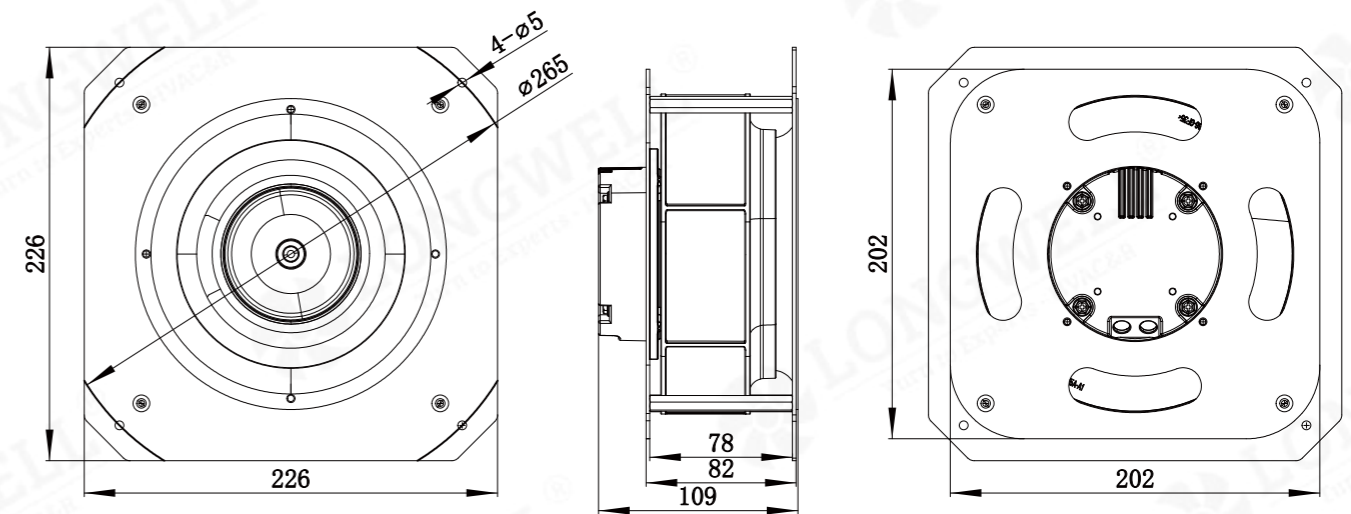
Model	Voltage (V)	Input Power (W)	Current (A)	Air Volume (m³/h)	Static Pressure (Pa)	Speed (RPM)	Noise [dB(A)]
LWBE3G175-072PS-10	230	132	0.6	924	893	5020	/



## LWBE3G175-072NS-10 (without bracket)



## LWBE3G175-072PS-10 (with bracket)



# LWBE-190 Serie

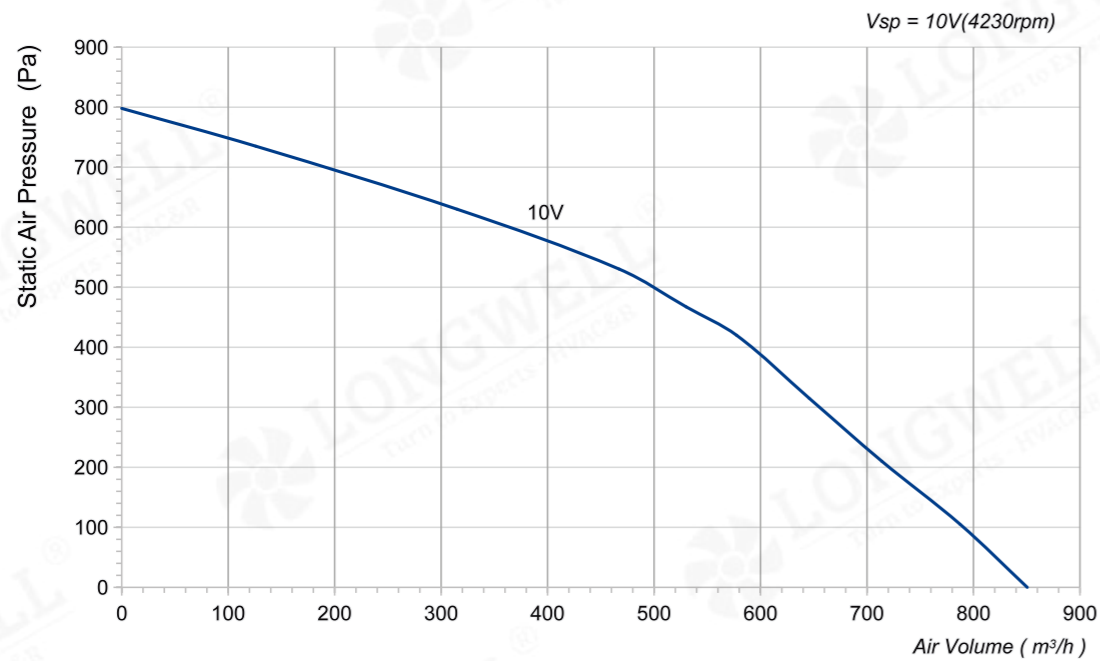
## Product Characteristic

- Impeller Material: Plastic PA66
- Supply Voltage: 230V/115V,50/60Hz
- Mode of Operation: S1
- Protection Class: IP54
- Insulation Class: F
- Operation Temperature: -25 C ~+60 C
- Technical Feature: Control input 0-10VDC/PWM, Tach output, Locked-Rotor protection, Reverse Polarity Over-voltage protection, Soft Start Protection.

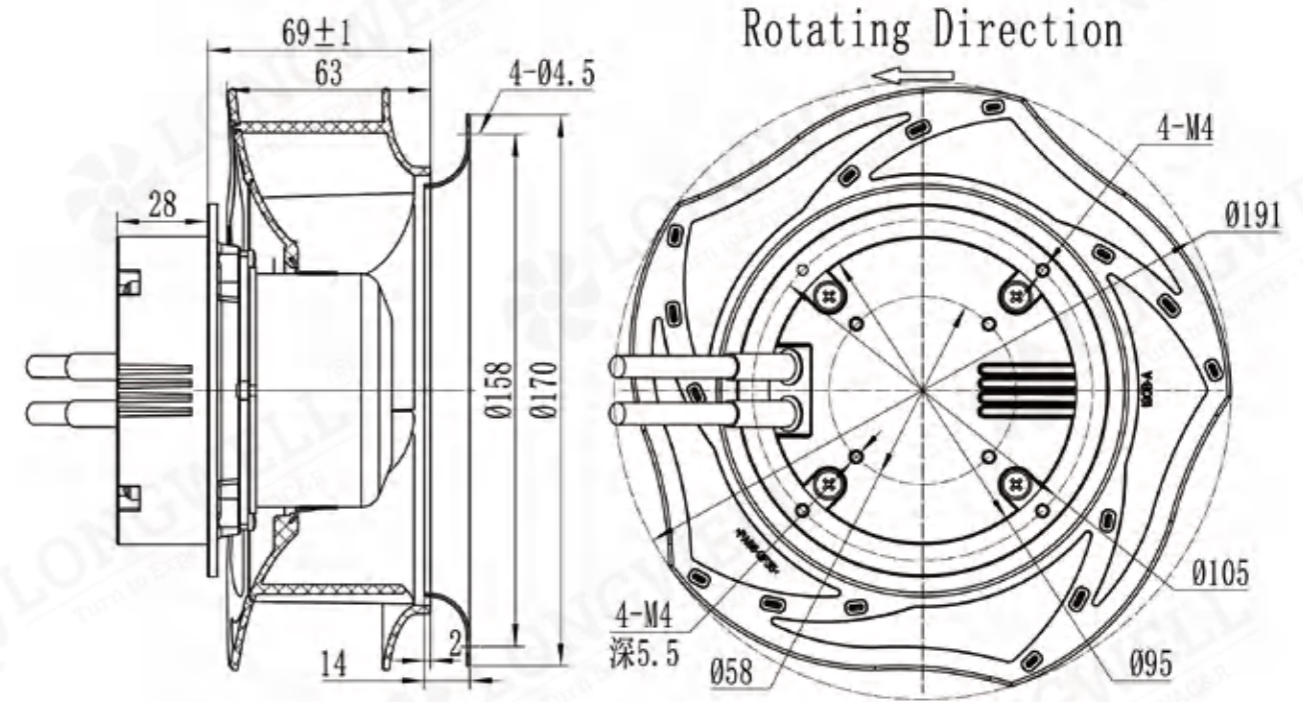


## Technical Specifications

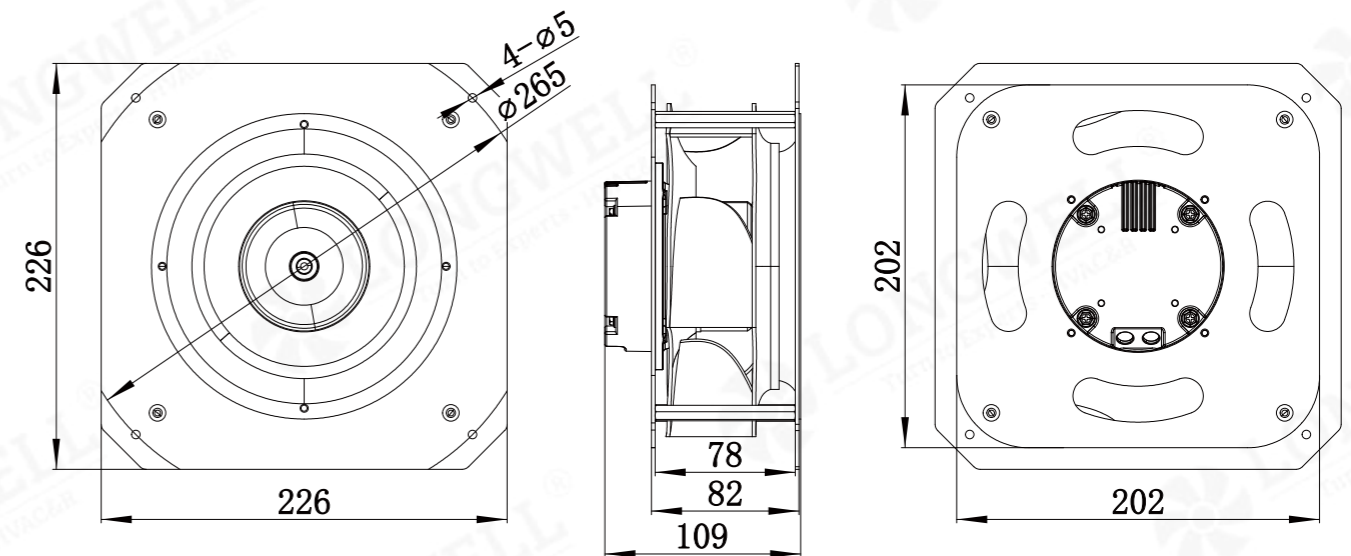
Model	Voltage (V)	Input Power (W)	Current (A)	Air Volume (m³/h)	Static Pressure (Pa)	Speed (RPM)	Noise [dB(A)]
LWBE3G190-072PS-12	230	104	1.16	851	798	4230	70



## LWBE3G190-072NS-16 (without bracket)



## LWBE3G190-072PS-12 (with bracket)



# LWBE-220 Serie



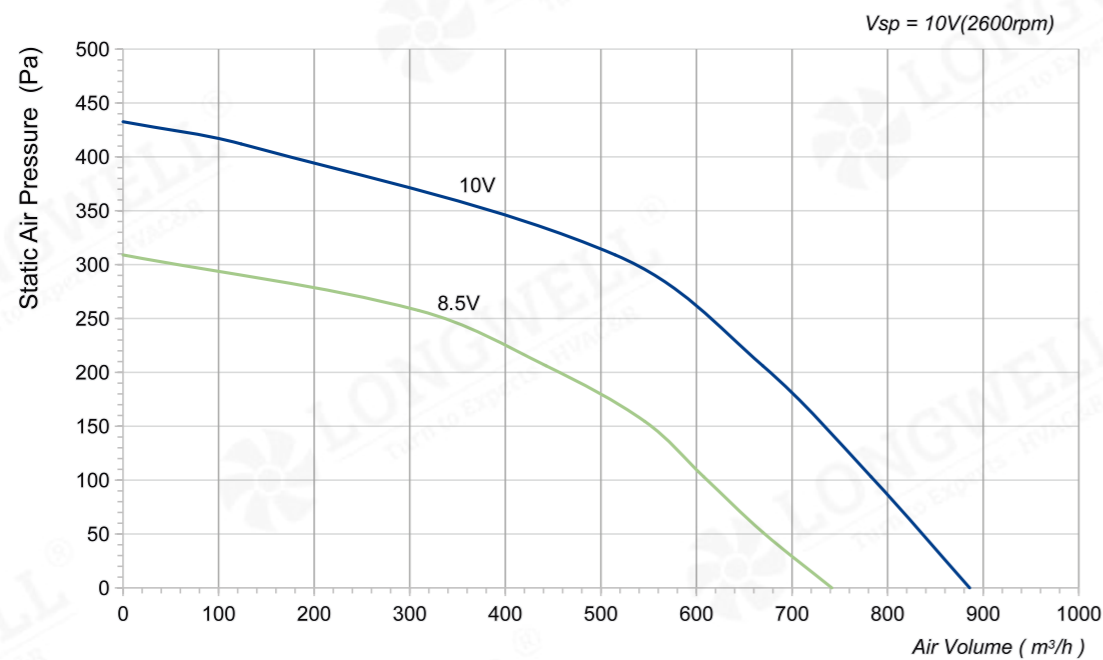
## Product Characteristic

- Impeller Material: Plastic PA66
- Supply Voltage: 230V/115V,50/60Hz
- Mode of Operation: S1
- Protection Class: IP44
- Insulation Class: B
- Operation Temperature: -25 C ~+60 C
- Technical Feature: Control input 0-10VDC/PWM, Tach output, Locked-Rotor protection, Reverse Polarity Over-voltage protection, Soft Start Protection.

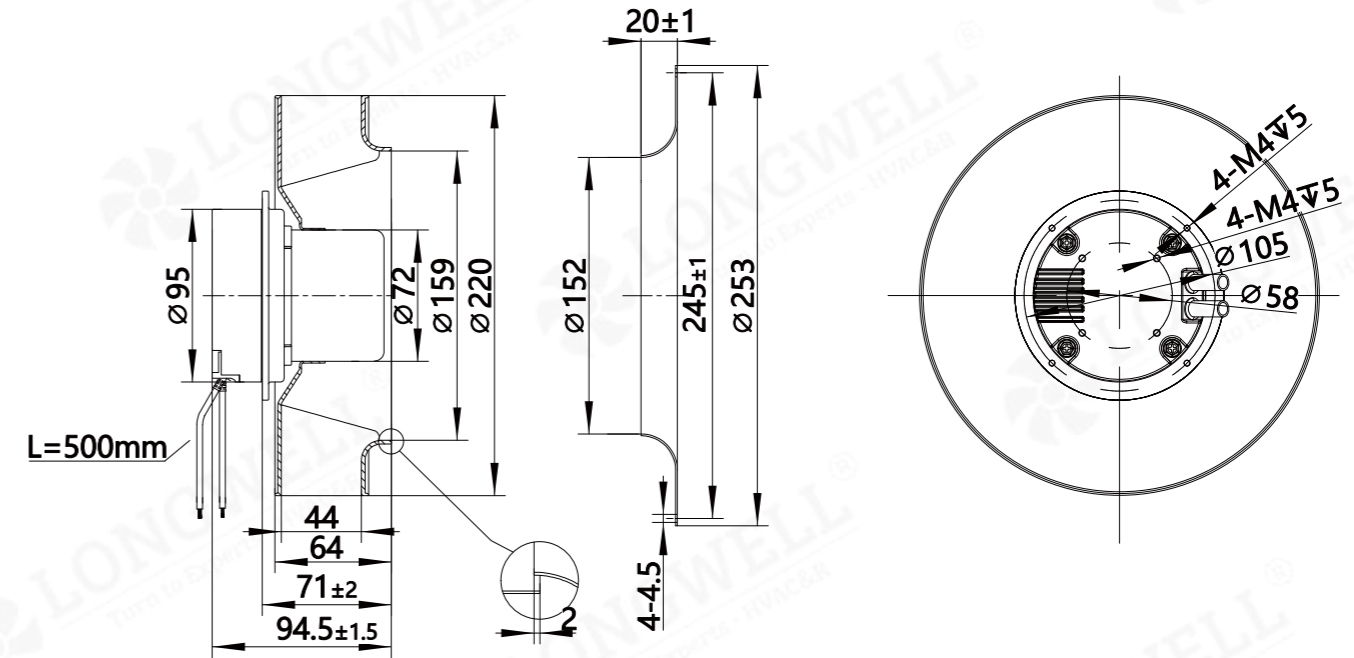


## Technical Specifications

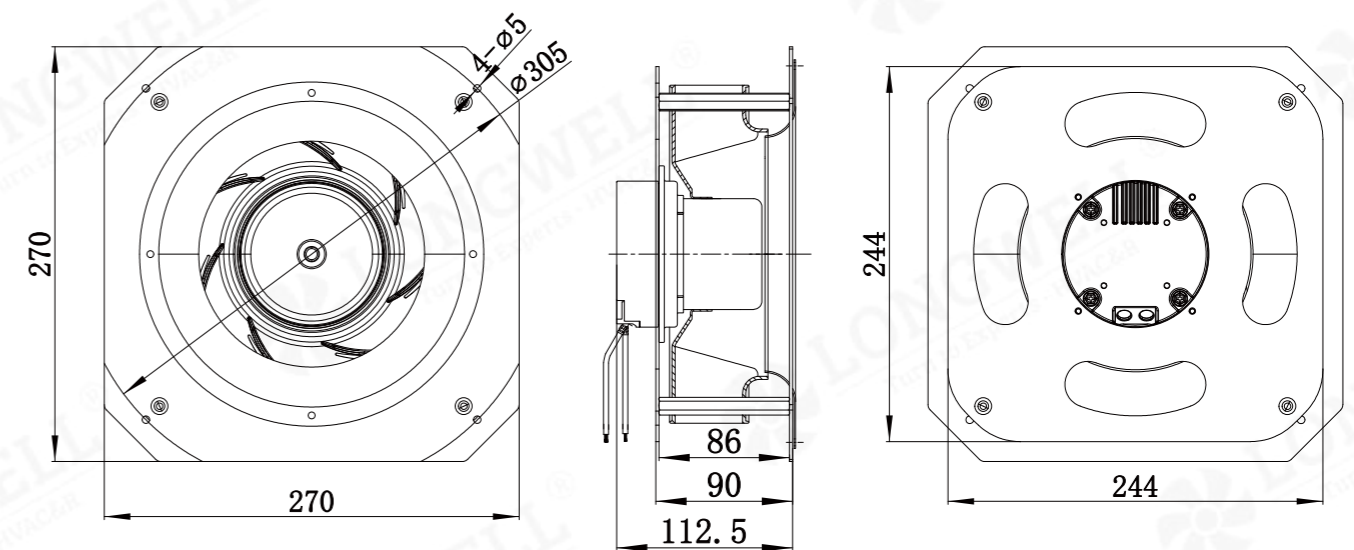
Model	Voltage (V)	Input Power (W)	Current (A)	Air Volume (m³/h)	Static Pressure (Pa)	Speed (RPM)	Noise [dB(A)]
LWBE3G220-072PS-10	230	75	0.6	886	433	2600	71



## LWBE3G220-072NS-11 (without bracket)



## LWBE3G220-072PS-10 (with bracket)



# LWBE-220 Serie



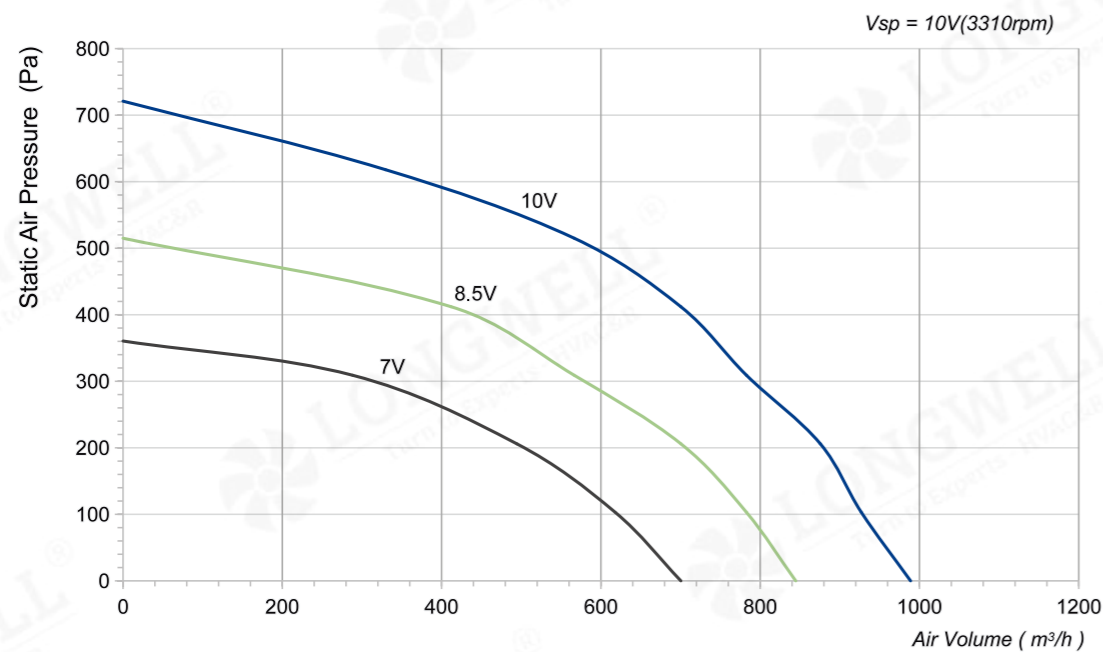
## Product Characteristic

- Impeller Material: Plastic PA66
- Supply Voltage: 230V/115V,50/60Hz
- Mode of Operation: S1
- Protection Class: IP44
- Insulation Class: B
- Operation Temperature: -25 C ~+60 C
- Technical Feature: Control input 0-10VDC/PWM, Tach output, Locked-Rotor protection, Reverse Polarity Over-voltage protection, Soft Start Protection.

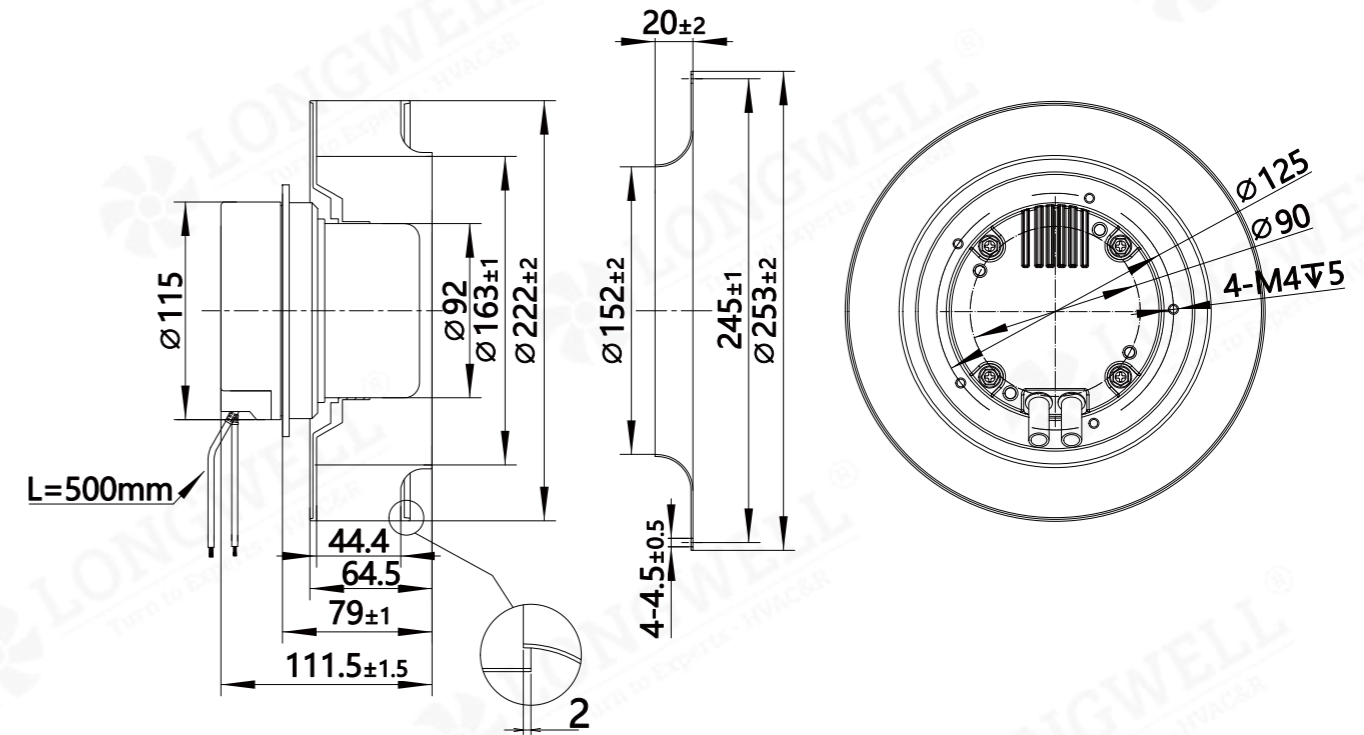


## Technical Specifications

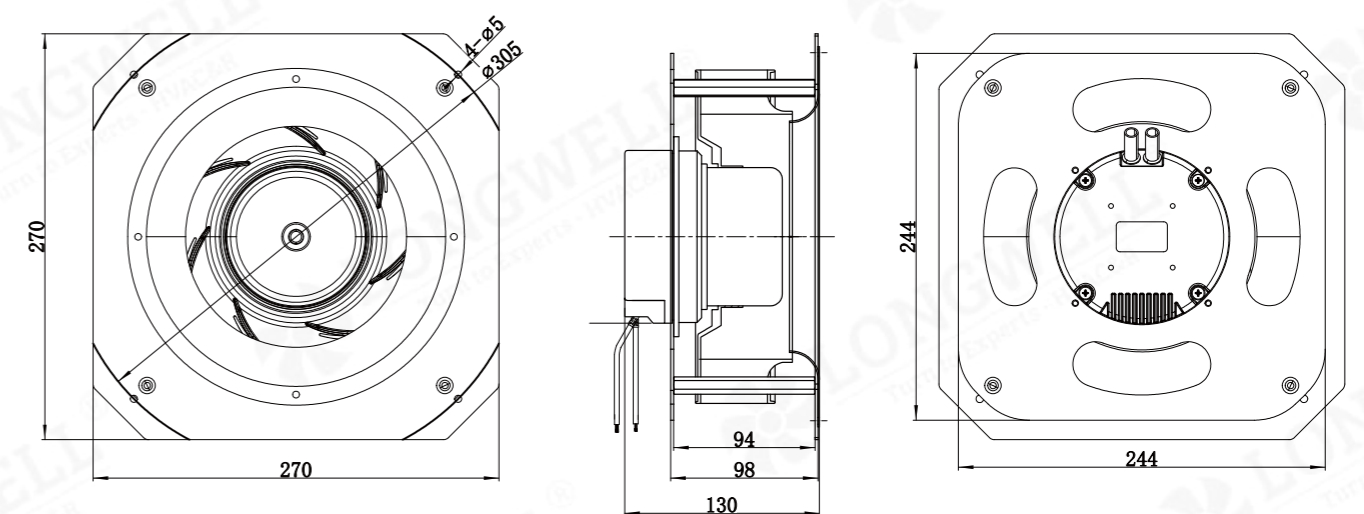
Model	Voltage (V)	Input Power (W)	Current (A)	Air Volume (m³/h)	Static Pressure (Pa)	Speed (RPM)	Noise [dB(A)]
LWBE3G220-092PS-11	230	145	1	989	711	3310	75



## LWBE3G220-092NS-10 (without bracket)



## LWBE3G220-092PS-11 (with bracket)



# LWBE-225 Serie



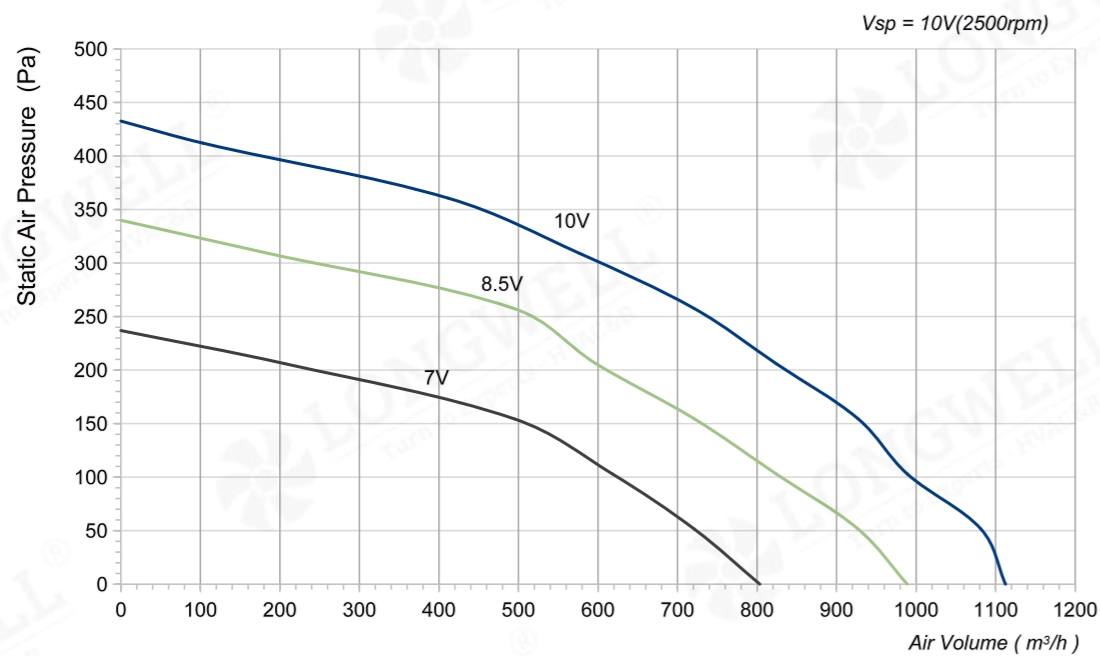
## Product Characteristic

- Impeller Material: Plastic PA66
- Supply Voltage: 230V/115V,50/60Hz
- Mode of Operation: S1
- Protection Class: IP44
- Insulation Class: B
- Operation Temperature: -25 C ~+60 C
- Technical Feature: Control input 0-10VDC/PWM, Tach output, Locked-Rotor protection, Reverse Polarity Over-voltage protection, Soft Start Protection.

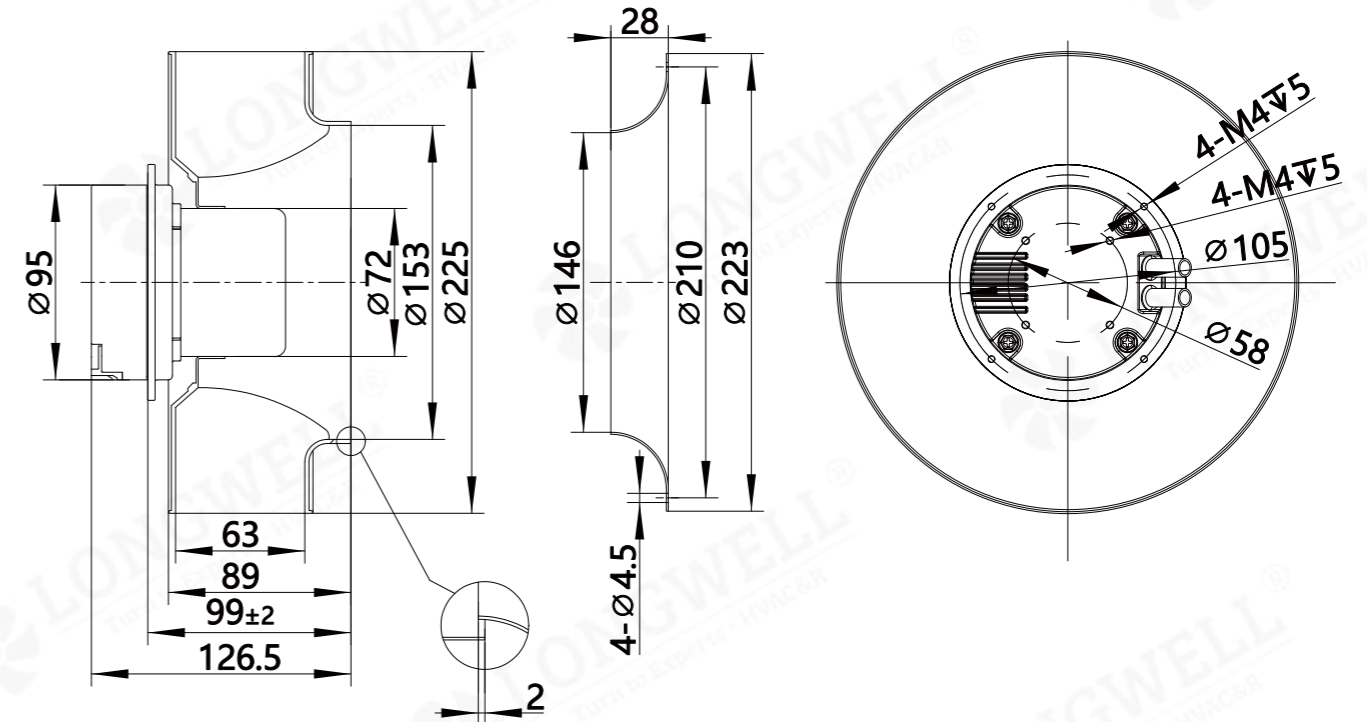


## Technical Specifications

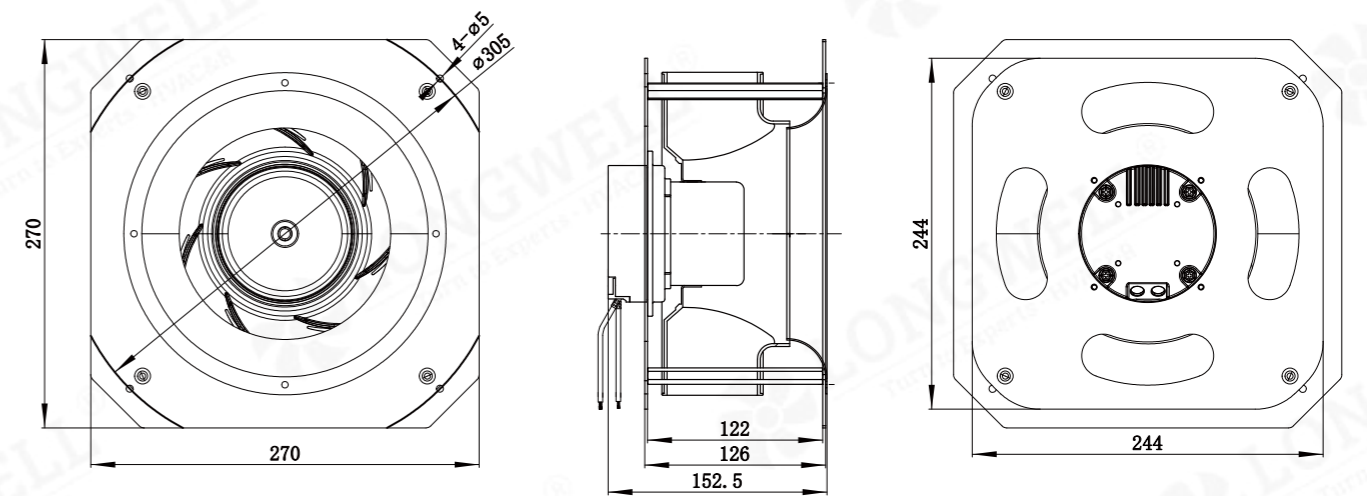
Model	Voltage (V)	Input Power (W)	Current (A)	Air Volume (m³/h)	Static Pressure (Pa)	Speed (RPM)	Noise [dB(A)]
LWBE3G225-072PS-11	230	80	0.6	1112	433	2500	69



## LWBE3G225-072NS-10 (without bracket)



## LWBE3G225-072PS-11 (with bracket)



# LWBE-225 Serie



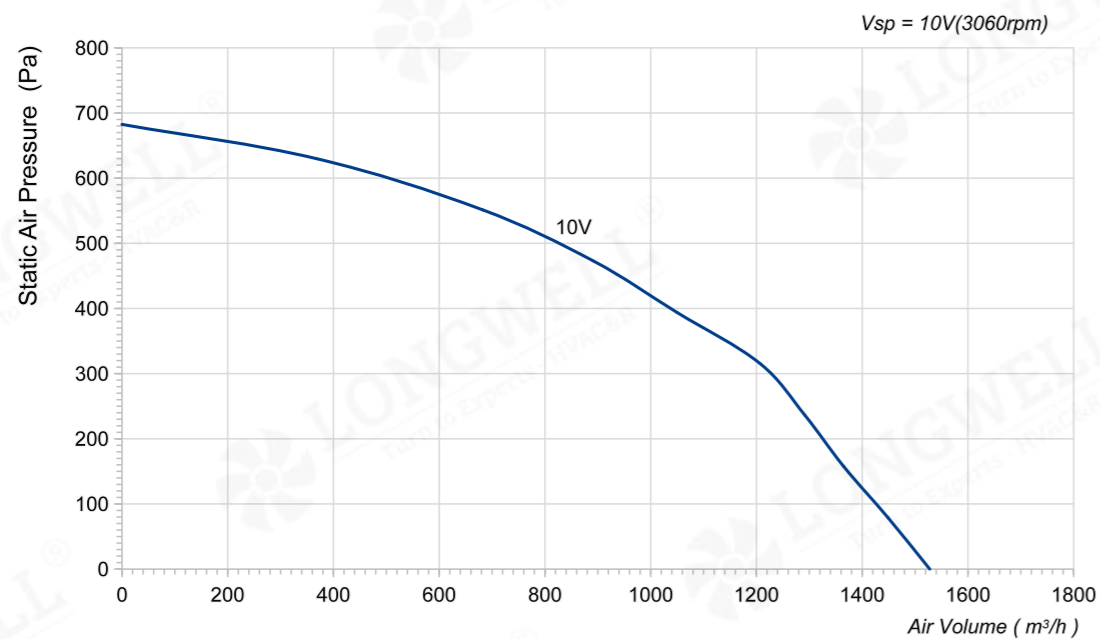
## Product Characteristic

- Impeller Material: Plastic PA66
- Supply Voltage: 230V/115V,50/60Hz
- Mode of Operation: S1
- Protection Class: IP54
- Insulation Class: F
- Operation Temperature: -25 C ~+60 C
- Technical Feature: Control input 0-10VDC/PWM, Tach output, Locked-Rotor protection, Reverse Polarity Over-voltage protection, Soft Start Protection.

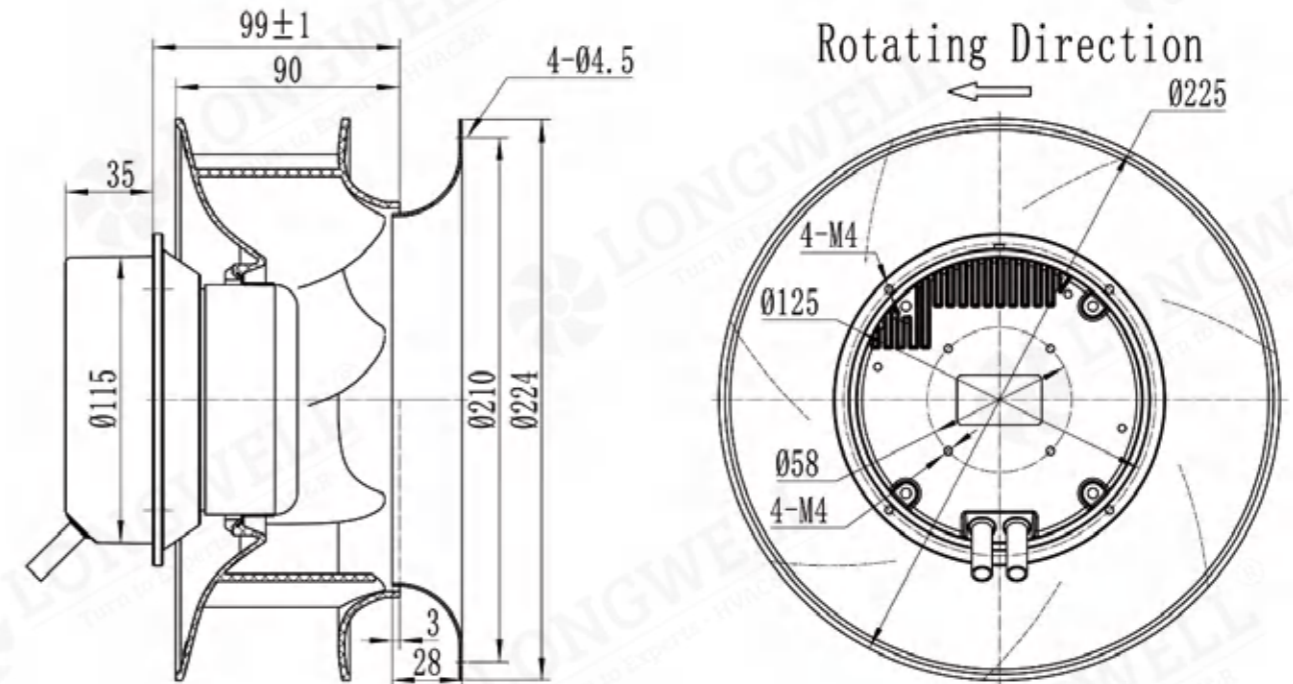


## Technical Specifications

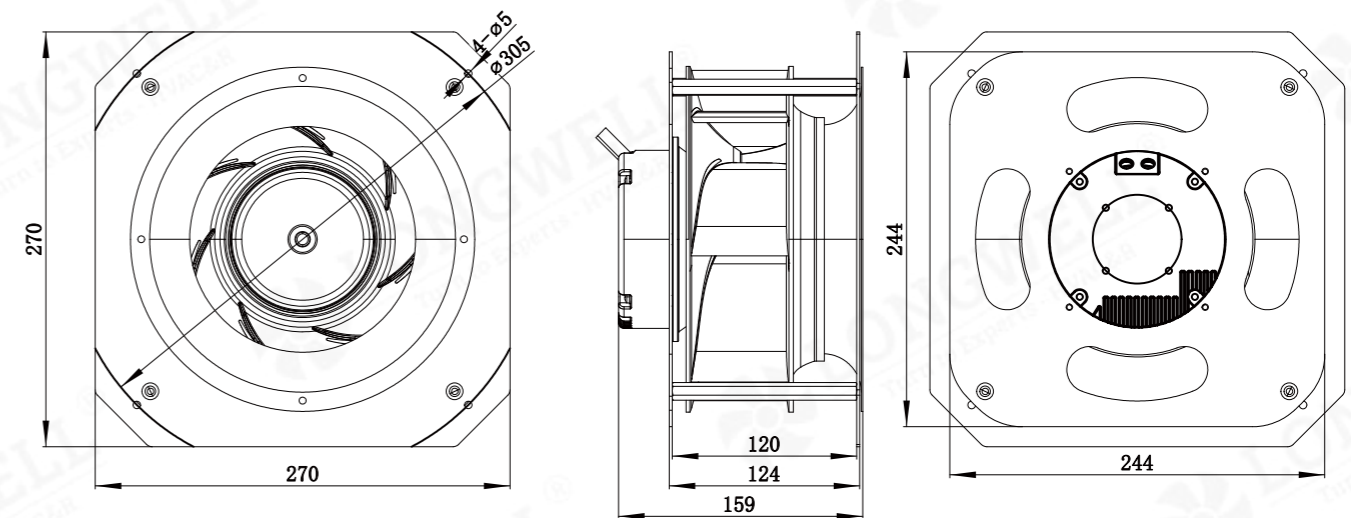
Model	Voltage (V)	Input Power (W)	Current (A)	Air Volume (m³/h)	Static Pressure (Pa)	Speed (RPM)	Noise [dB(A)]
LWBE3G225-092PS-12	230	170	1.4	1528	683	3060	71.1



## LWBE3G225-092NS-11 (without bracket)



## LWBE3G225-092PS-12 (with bracket)



# LWBE-225 Serie



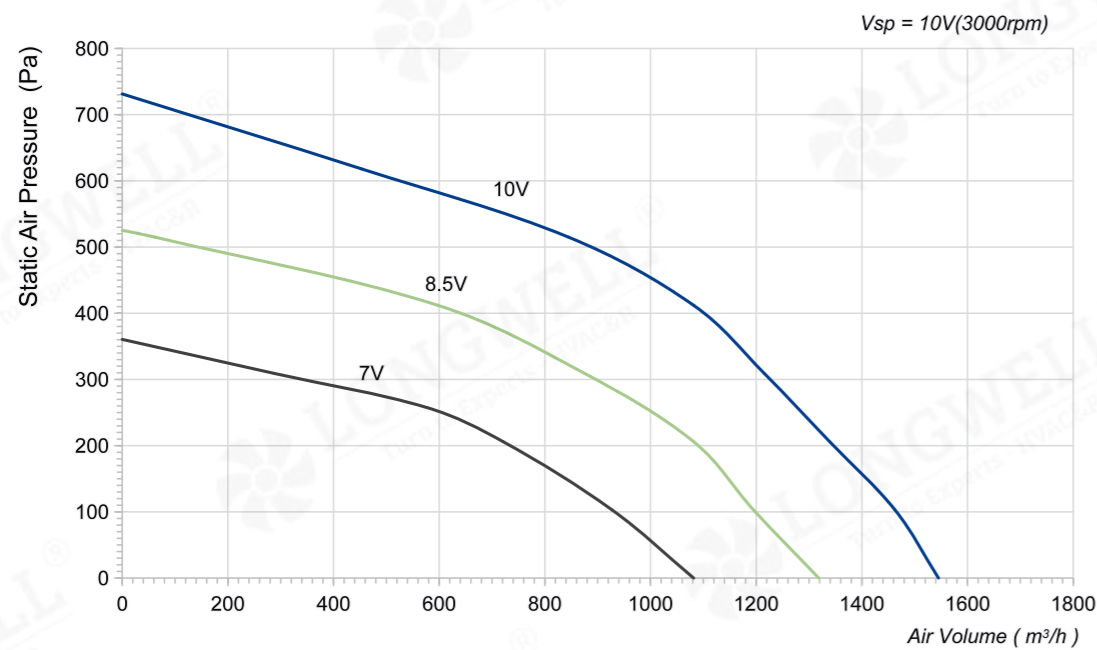
## Product Characteristic

- Impeller Material: Plastic PA66
- Supply Voltage: 230V/115V,50/60Hz
- Mode of Operation: S1
- Protection Class: IP44
- Insulation Class: B
- Operation Temperature: -25 C ~ +60 C
- Technical Feature: Control input 0-10VDC/PWM, Tach output, Locked-Rotor protection, Reverse Polarity Over-voltage protection, Soft Start Protection.

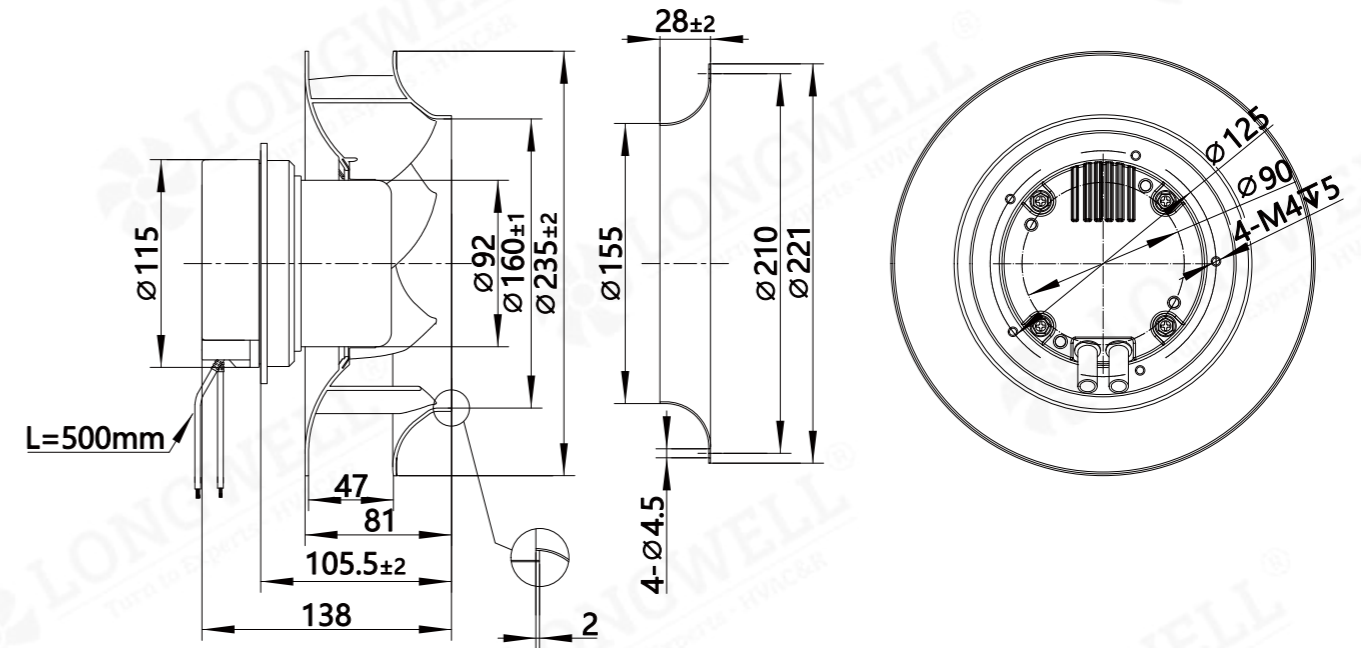


## Technical Specifications

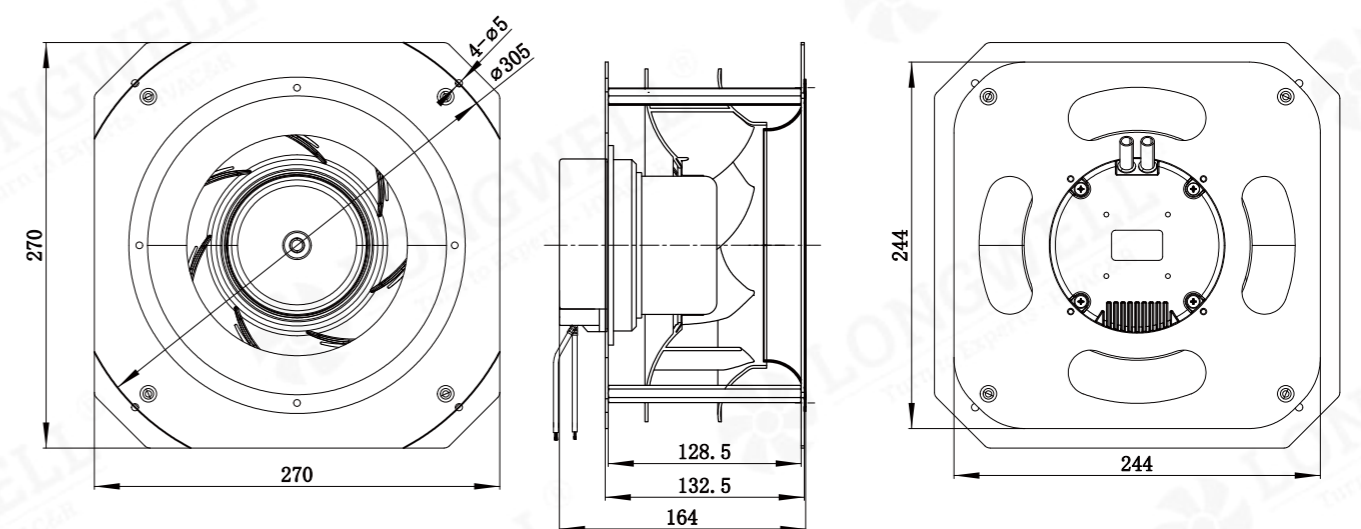
Model	Voltage (V)	Input Power (W)	Current (A)	Air Volume (m³/h)	Static Pressure (Pa)	Speed (RPM)	Noise [dB(A)]
LWBE3G225-092PS-13	230	160	1.1	1545	731	3000	71



## LWBE3G225-092NS-12 (without bracket)



## LWBE3G225-092PS-13 (with bracket)



# LWBE-225 Serie



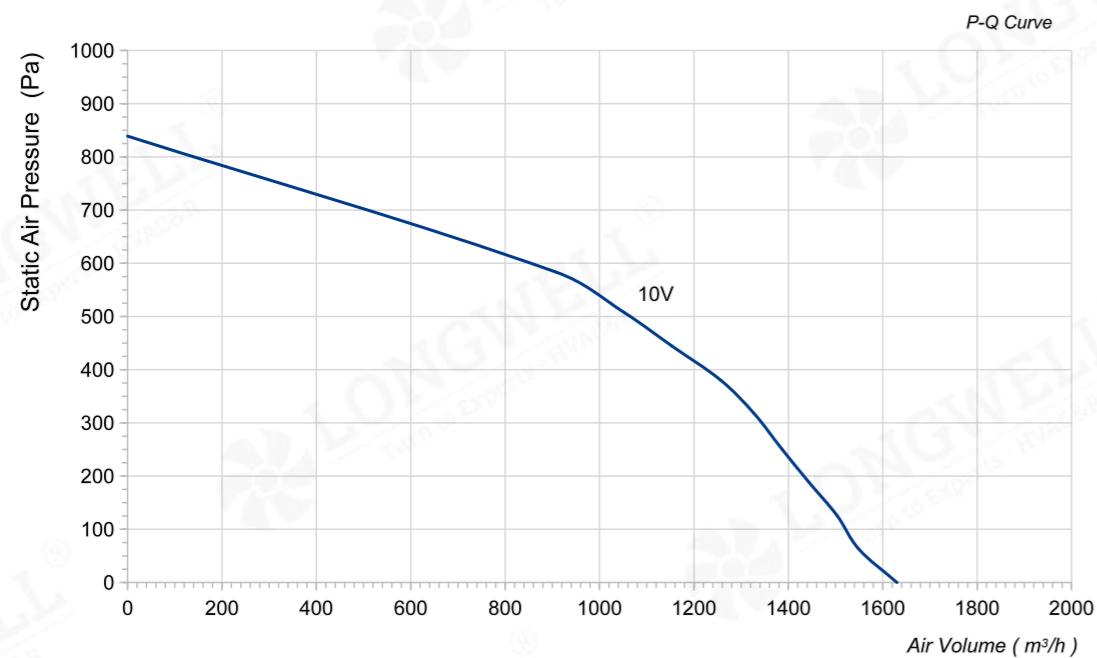
## Product Characteristic

- Impeller Material: PA6+GF
- Supply Voltage: 230V,50/60Hz
- Mode of Operation: S1
- Protection Class: IP54
- Insulation Class: F
- Operation Temperature: -25 C ~+60 C
- Technical Feature: Control input 0-10VDC/PWM, Tach output, Locked-Rotor protection, Reverse Polarity Over-voltage protection, Soft Start Protection.

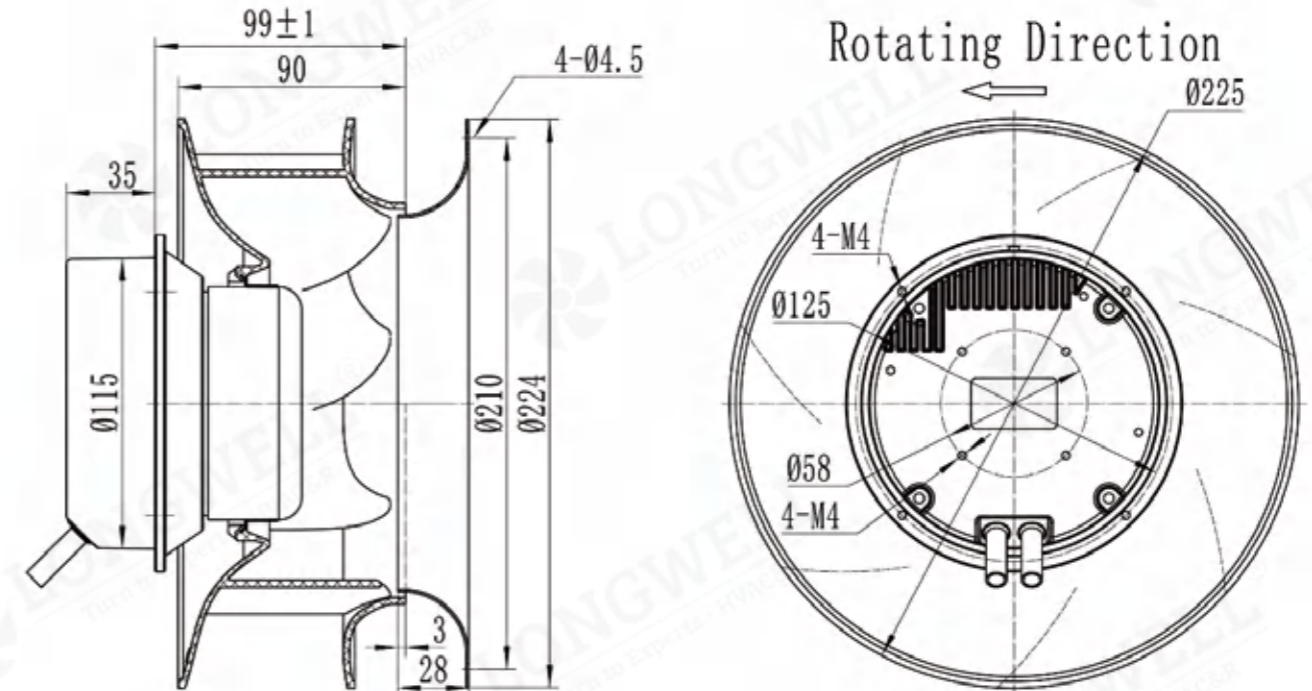


## Technical Specifications

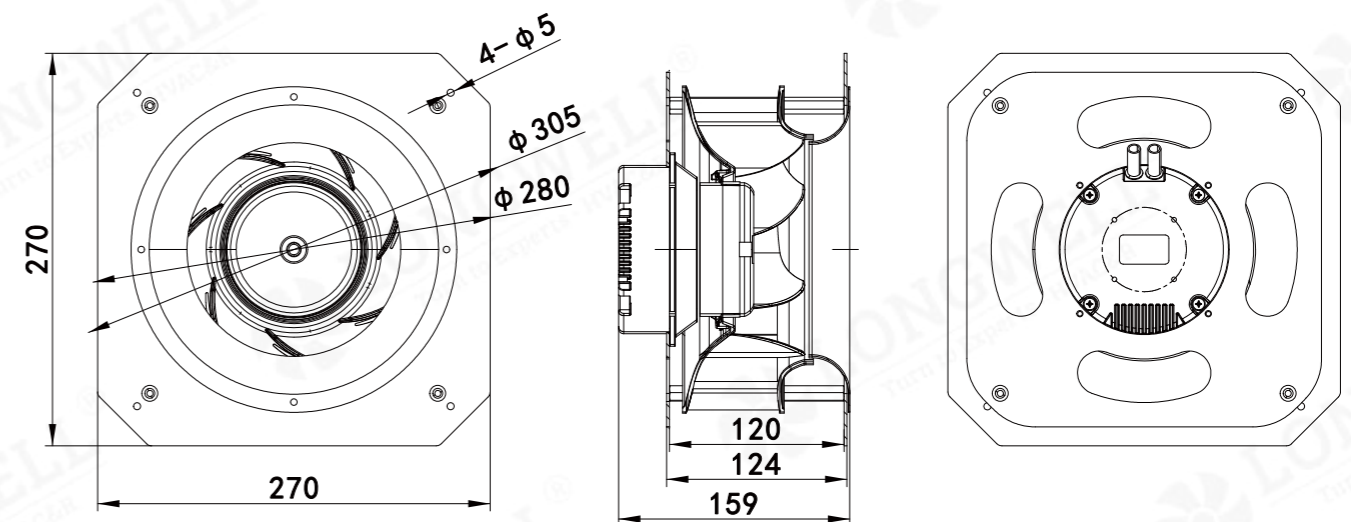
Model	Voltage (V)	Input Power (W)	Current (A)	Air Volume (m³/h)	Static Pressure (Pa)	Speed (RPM)	Noise [dB(A)]
LWBE3G225-092PS-07	230	315	1.87	1630	839	3500	71



## LWBE3G225-092NS-13 (without bracket)



## LWBE3G225-092PS-07 (with bracket)



# LWBE-250 Serie



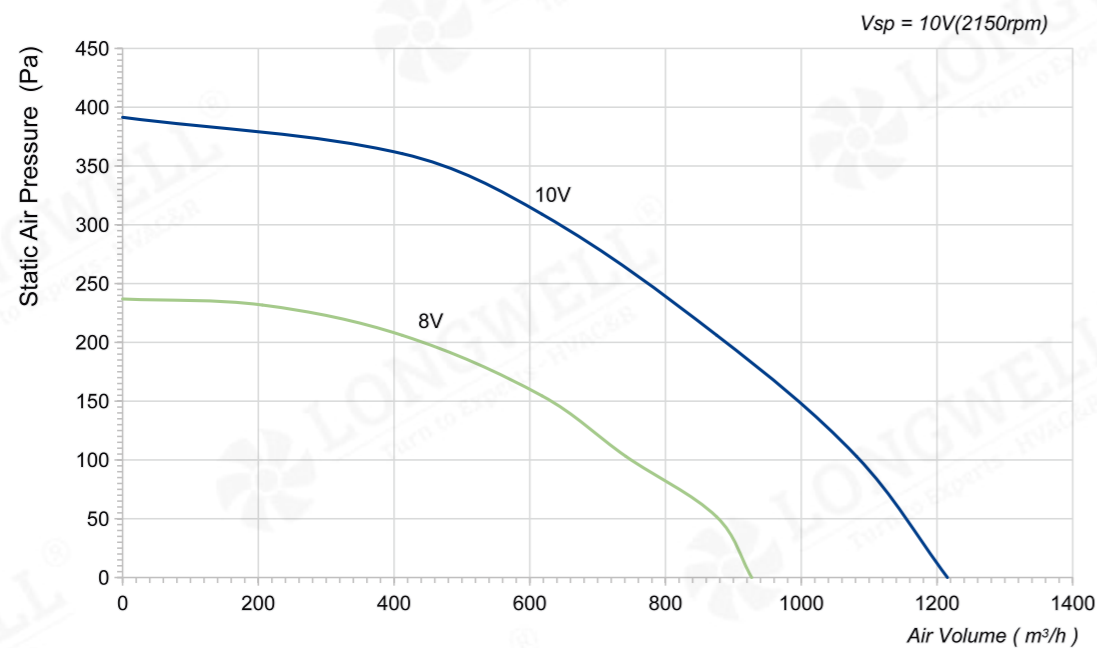
## Product Characteristic

- Impeller Material: Plastic PA66
- Supply Voltage: 230V/115V,50/60Hz
- Mode of Operation: S1
- Protection Class: IP44
- Insulation Class: B
- Operation Temperature: -25 C ~+60 C
- Technical Feature: Control input 0-10VDC/PWM, Tach output, Locked-Rotor protection, Reverse Polarity Over-voltage protection, Soft Start Protection.

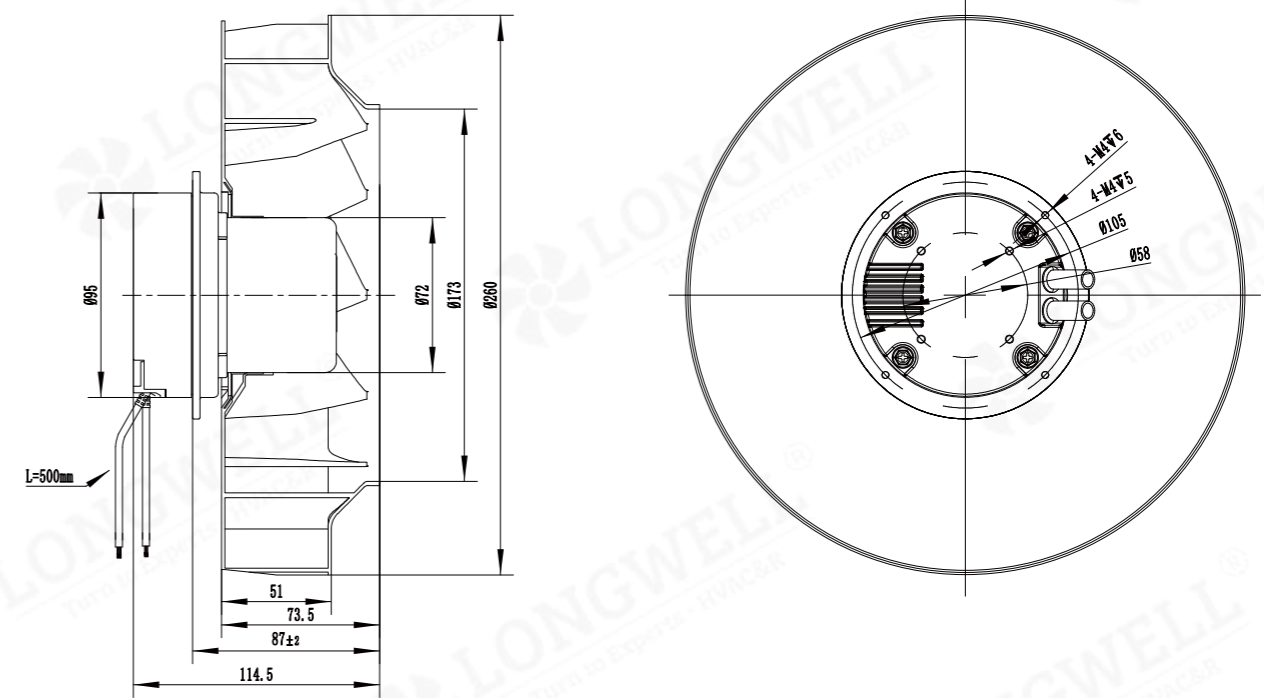


## Technical Specifications

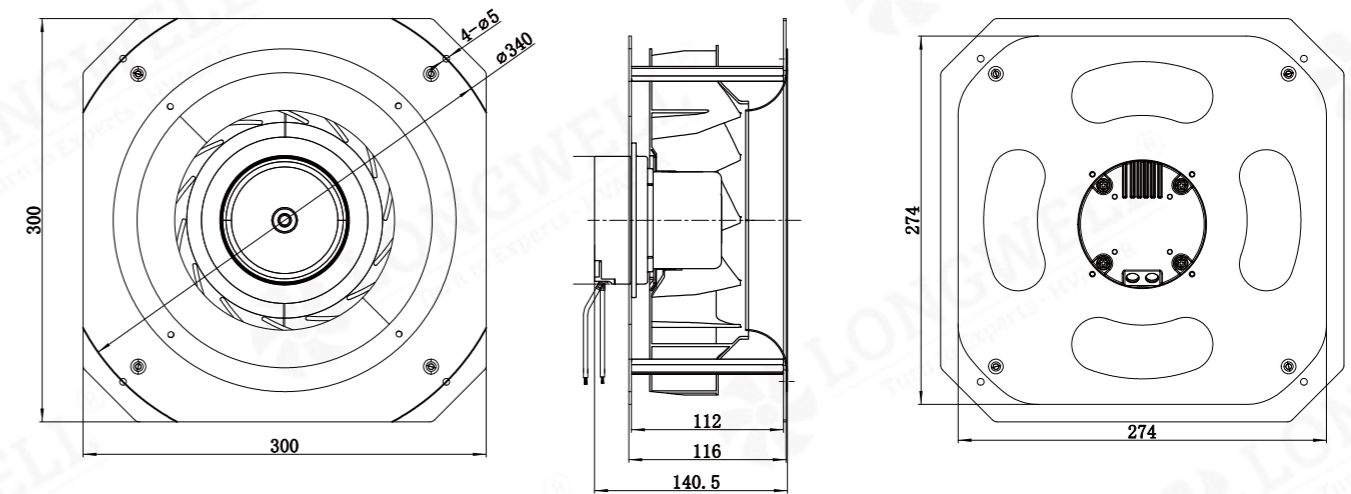
Model	Voltage (V)	Input Power (W)	Current (A)	Air Volume (m³/h)	Static Pressure (Pa)	Speed (RPM)	Noise [dB(A)]
LWBE3G250-072PS-15	230	90	0.8	1215	391	2150	68



## LWBE3G250-072NS-29 (without bracket)



## LWBE3G250-072PS-15 (with bracket)



# LWBE-250 Serie

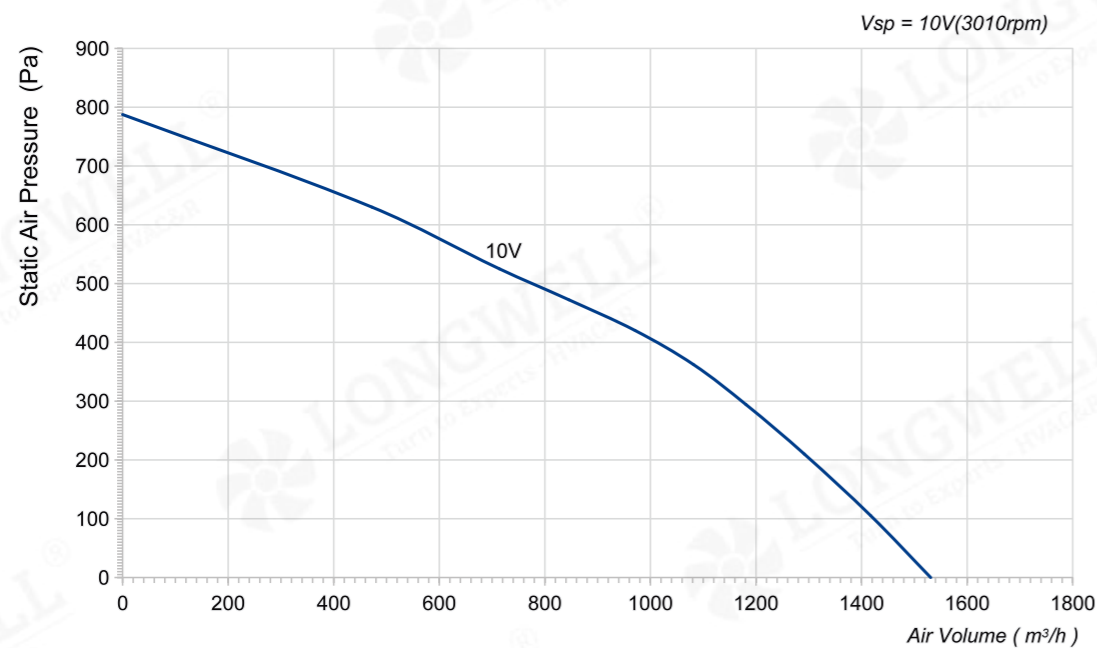
## Product Characteristic

- Impeller Material: Plastic PA66
- Supply Voltage: 230V/115V,50/60Hz
- Mode of Operation: S1
- Protection Class: IP54
- Insulation Class: F
- Operation Temperature: -25 C ~+60 C
- Technical Feature: Control input 0-10VDC/PWM, Tach output, Locked-Rotor protection, Reverse Polarity Over-voltage protection, Soft Start Protection.

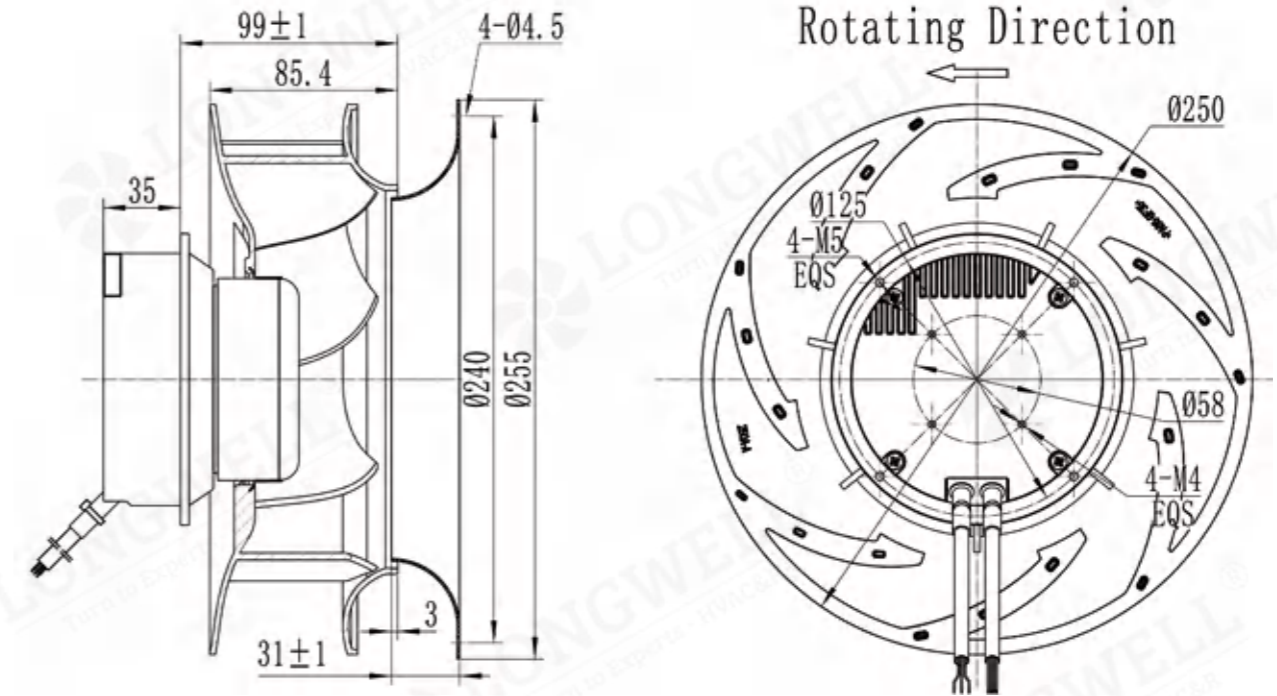


## Technical Specifications

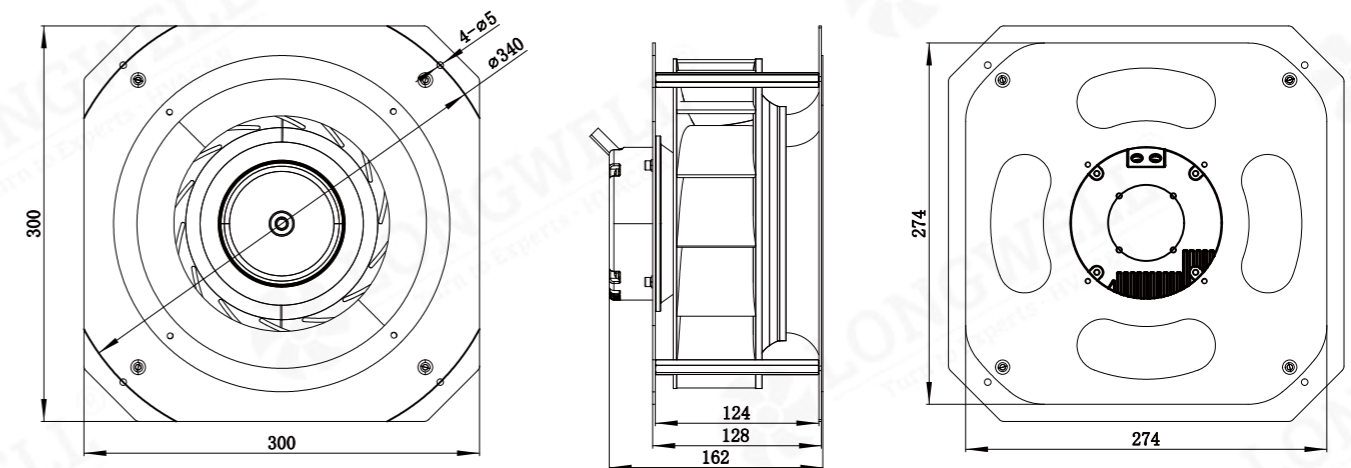
Model	Voltage (V)	Input Power (W)	Current (A)	Air Volume (m³/h)	Static Pressure (Pa)	Speed (RPM)	Noise [dB(A)]
LWBE3G250-092PS-16	230	140	0.6	1531	785	3010	72.1



## LWBE3G250-092NS-12 (without bracket)



## LWBE3G250-092PS-16 (with bracket)



# LWBE-250 Serie

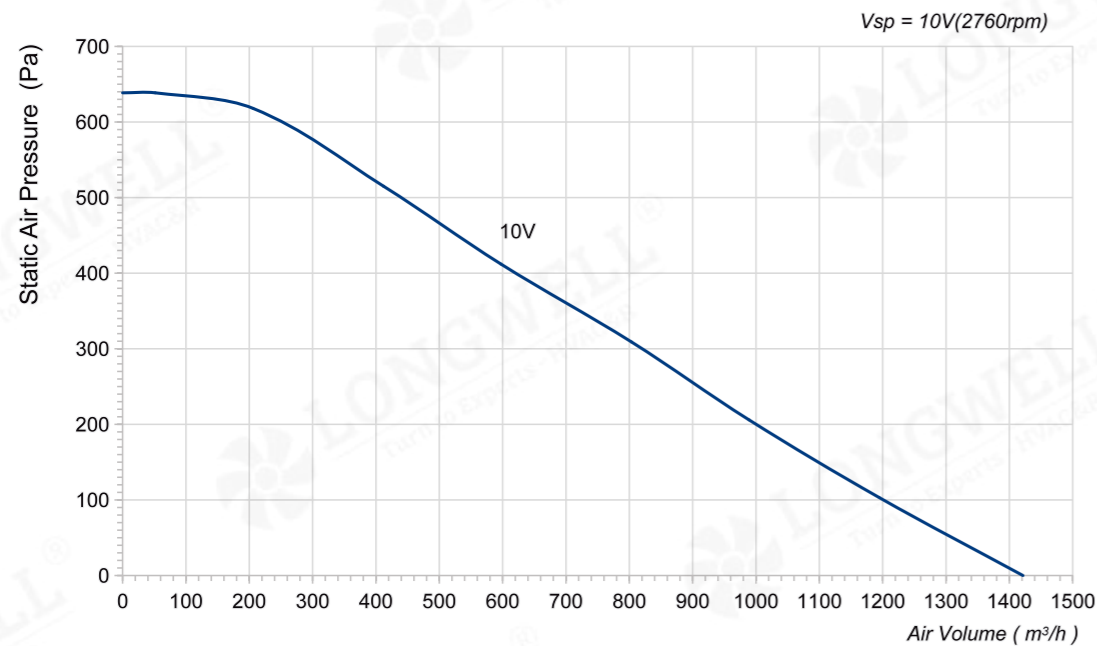
## Product Characteristic

- Impeller Material: Plastic PA66
- Supply Voltage: 230V/115V,50/60Hz
- Mode of Operation: S1
- Protection Class: IP44
- Insulation Class: F
- Operation Temperature: -25 C ~+60 C
- Technical Feature: Control input 0-10VDC/PWM, Tach output, Locked-Rotor protection, Reverse Polarity Over-voltage protection, Soft Start Protection.

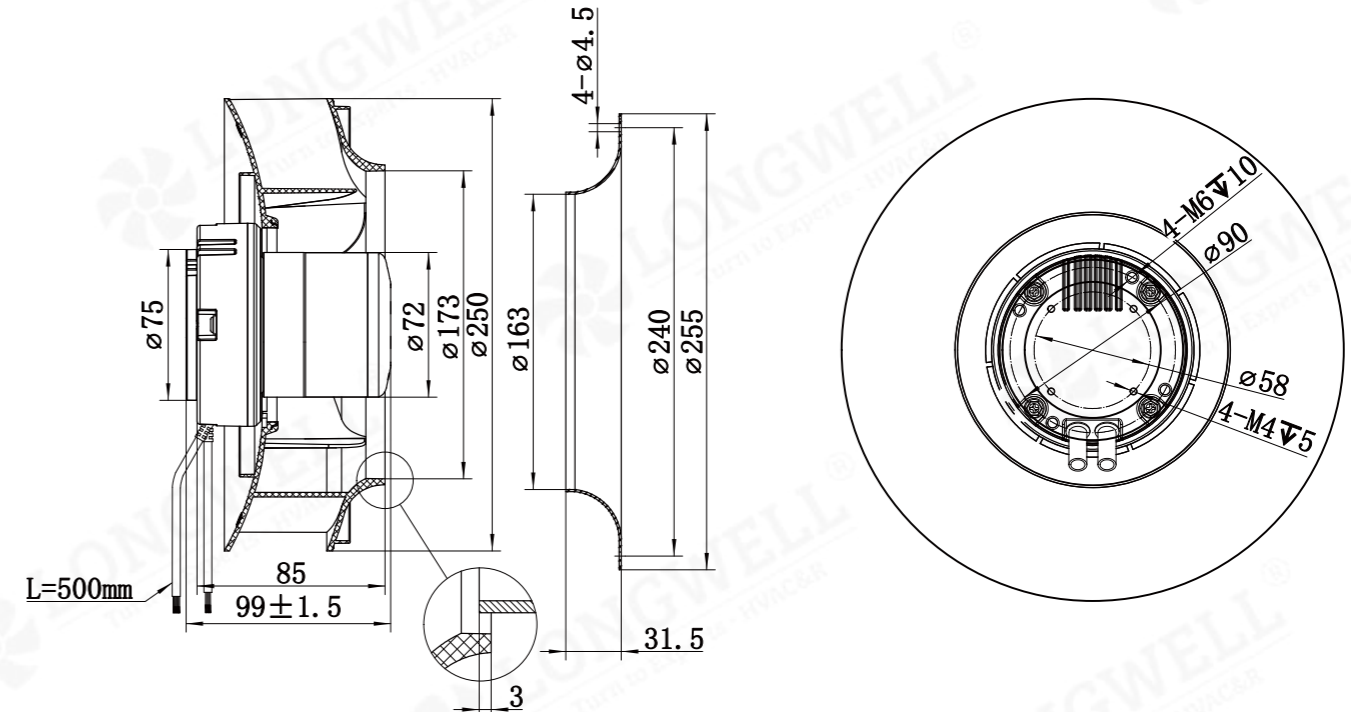


## Technical Specifications

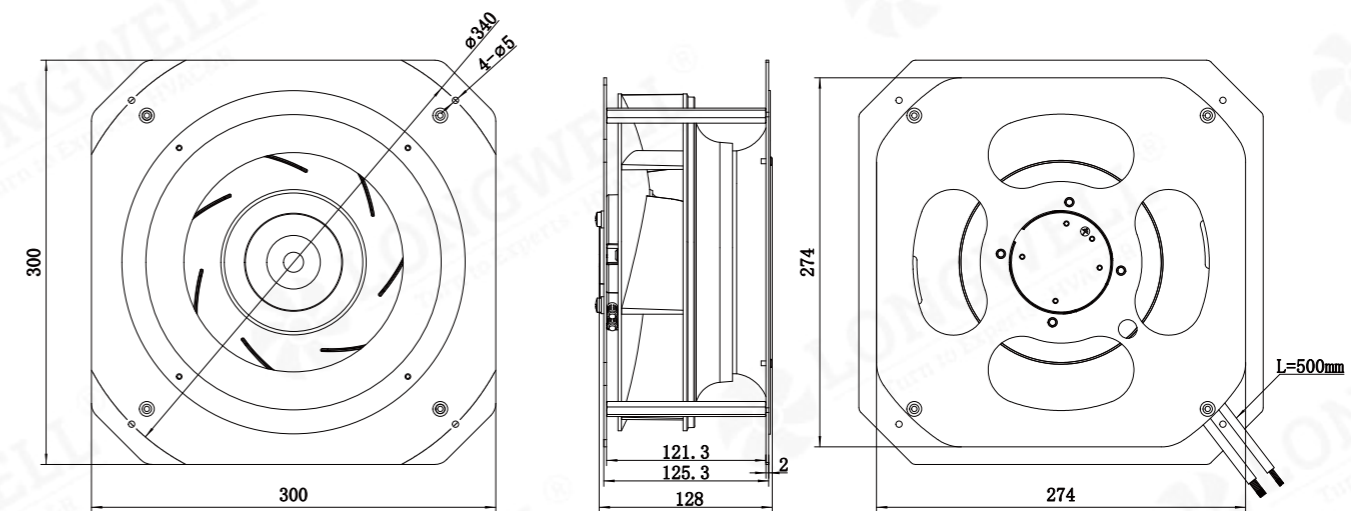
Model	Voltage (V)	Input Power (W)	Current (A)	Air Volume (m³/h)	Static Pressure (Pa)	Speed (RPM)	Noise [dB(A)]
LWBE3G250-072PS-17	230	140	1.1	1421	639	2760	77



## LWBE3G250-072NS-21 (without bracket)



## LWBE3G250-072PS-17 (with bracket)



# LWBE-250 Serie

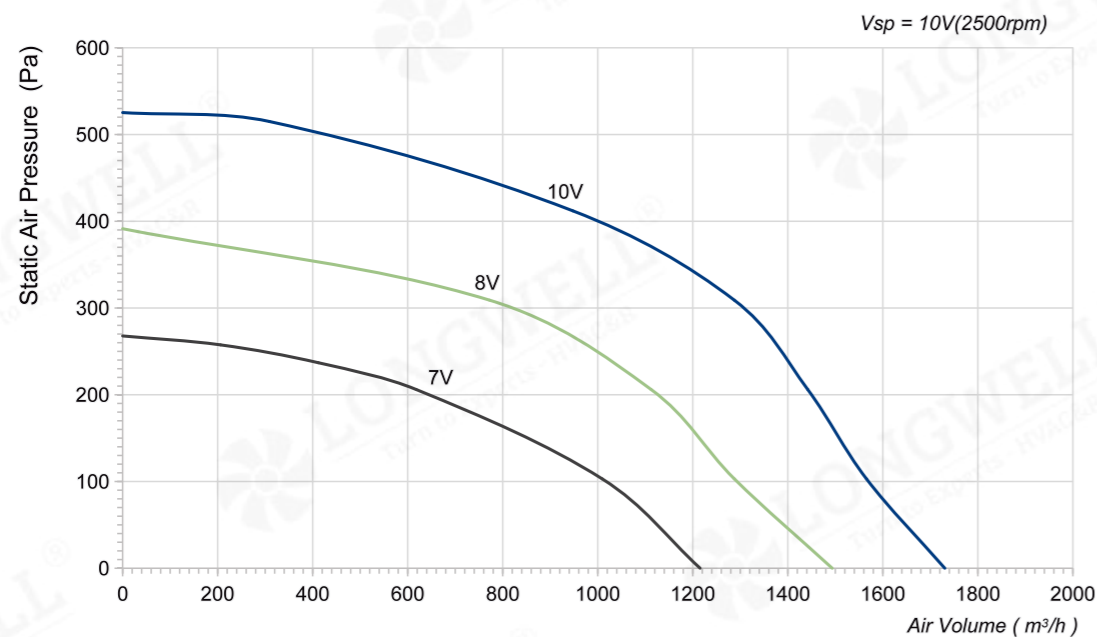
## Product Characteristic

- Impeller Material: Aluminum Alloy
- Supply Voltage: 230V/115V,50/60Hz
- Mode of Operation: S1
- Protection Class: IP44
- Insulation Class: B
- Operation Temperature: -25 C ~+60 C
- Technical Feature: Control input 0-10VDC/PWM, Tach output, Locked-Rotor protection, Reverse Polarity Over-voltage protection, Soft Start Protection.

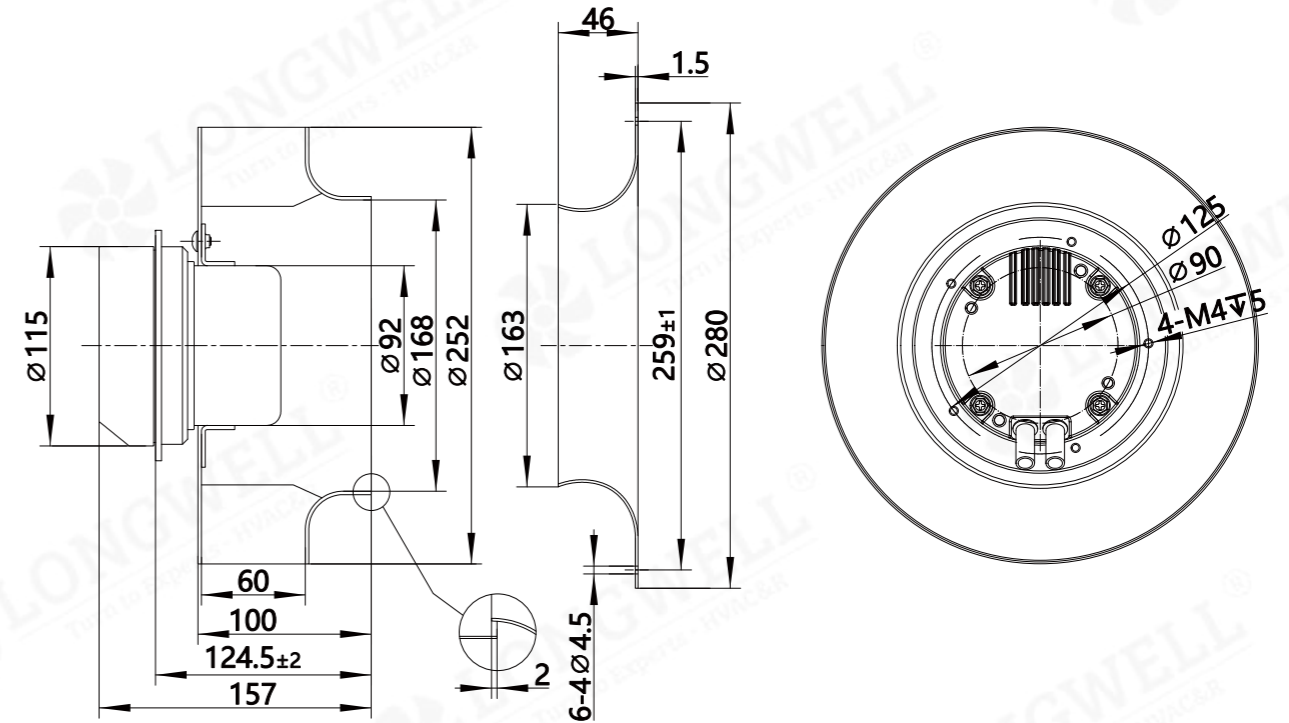


## Technical Specifications

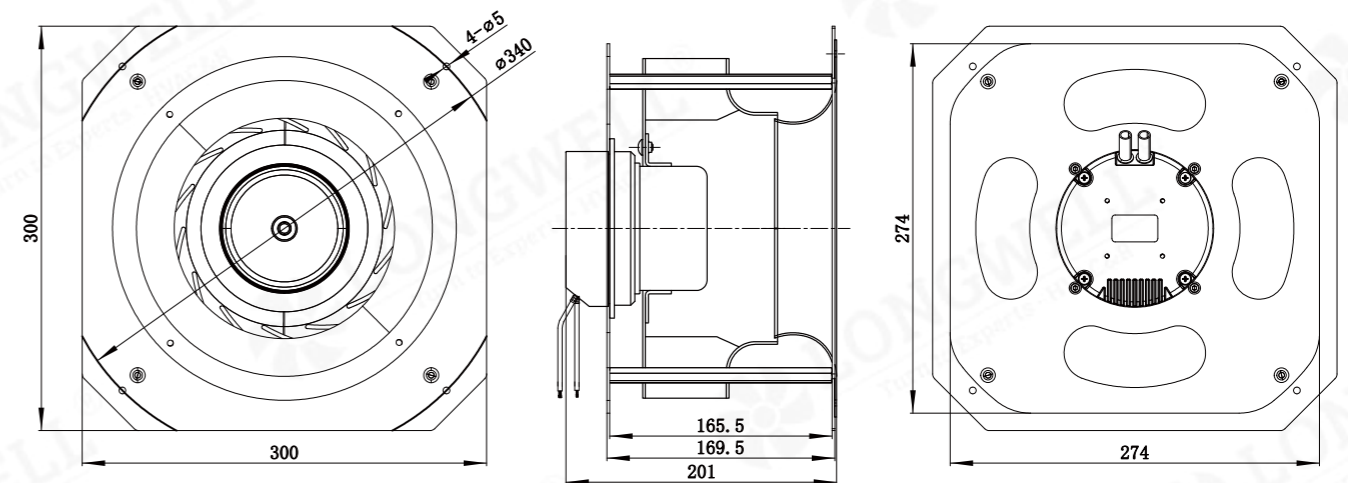
Model	Voltage (V)	Input Power (W)	Current (A)	Air Volume (m³/h)	Static Pressure (Pa)	Speed (RPM)	Noise [dB(A)]
LWBE3G250-092PS-20	230	145	1	1730	525	2500	74



## LWBE3G250-092NS-22 (without bracket)



## LWBE3G250-092PS-20 (with bracket)



# LWBE-250 Serie



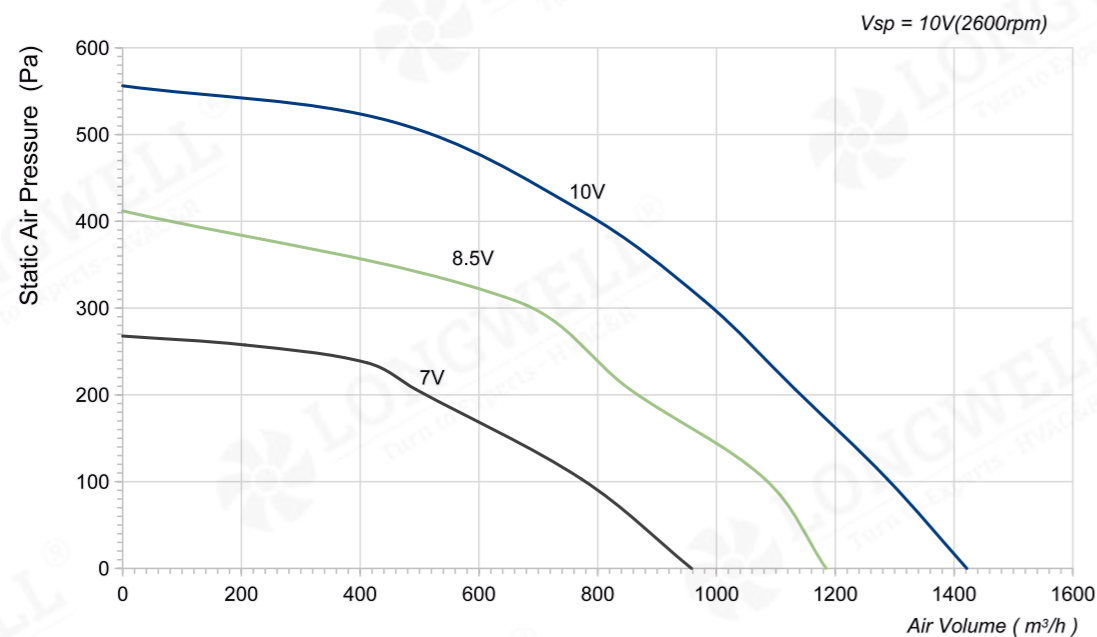
## Product Characteristic

- Impeller Material: Plastic PA66
- Supply Voltage: 230V/115V,50/60Hz
- Mode of Operation: S1
- Protection Class: IP44
- Insulation Class: B
- Operation Temperature: -25 C ~+60 C
- Technical Feature: Control input 0-10VDC/PWM, Tach output, Locked-Rotor protection, Reverse Polarity Over-voltage protection, Soft Start Protection.

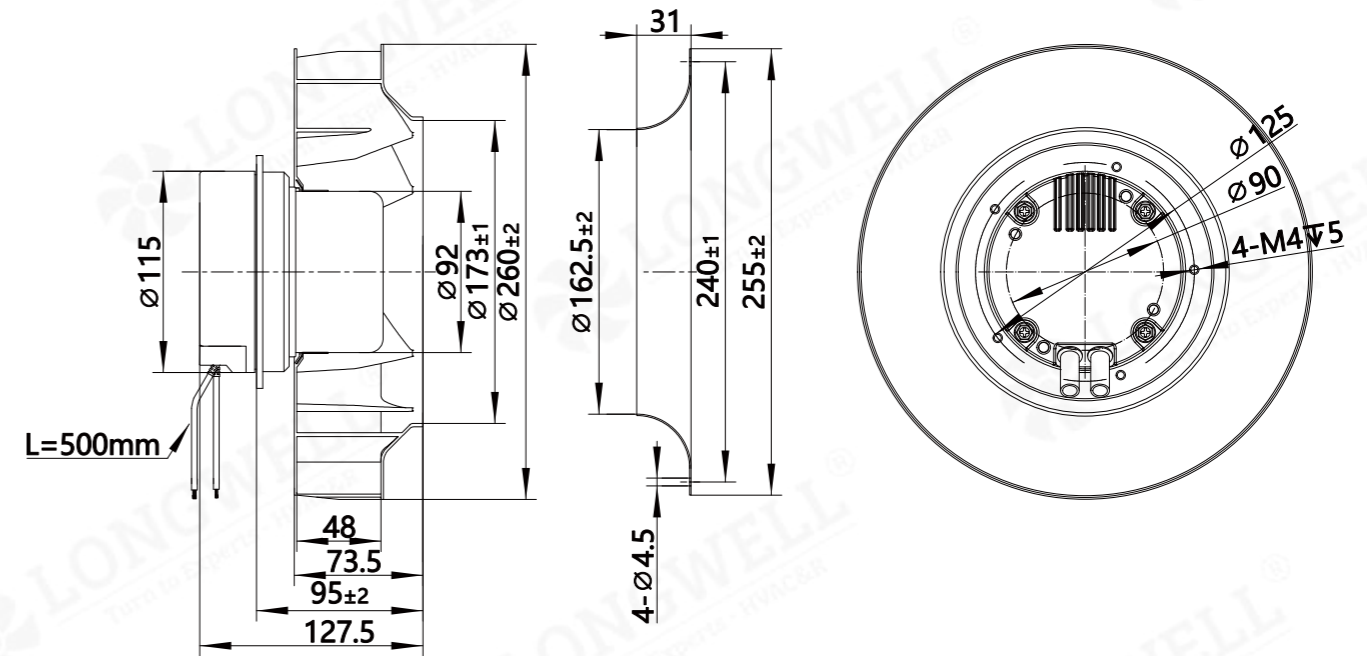


## Technical Specifications

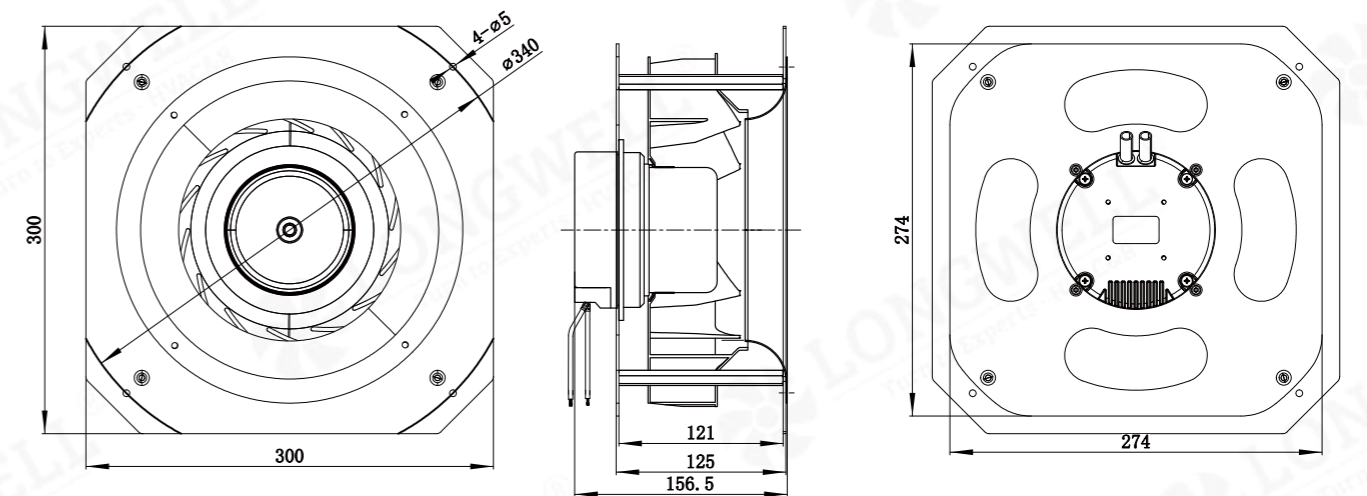
Model	Voltage (V)	Input Power (W)	Current (A)	Air Volume (m³/h)	Static Pressure (Pa)	Speed (RPM)	Noise [dB(A)]
LWBE3G250-092PS-21	230	170	1.1	1421	556	2600	69



## LWBE3G250-092NS-23 (without bracket)



## LWBE3G250-092PS-21 (with bracket)



# LWBE-250 Serie

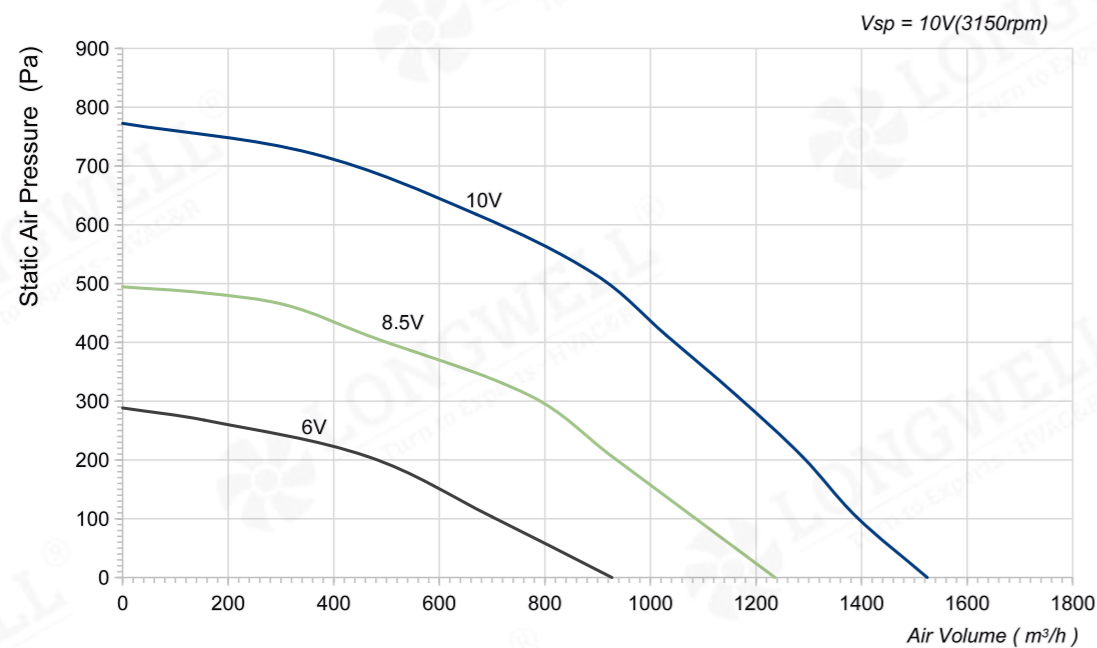
## Product Characteristic

- Impeller Material: Galvanised sheet steel
- Supply Voltage: 230V/115V,50/60Hz
- Mode of Operation: S1
- Protection Class: IP44
- Insulation Class: F
- Operation Temperature: -25 C ~+60 C
- Technical Feature: Control input 0-10VDC/PWM, Tach output, Locked-Rotor protection, Reverse Polarity Over-voltage protection, Soft Start Protection.

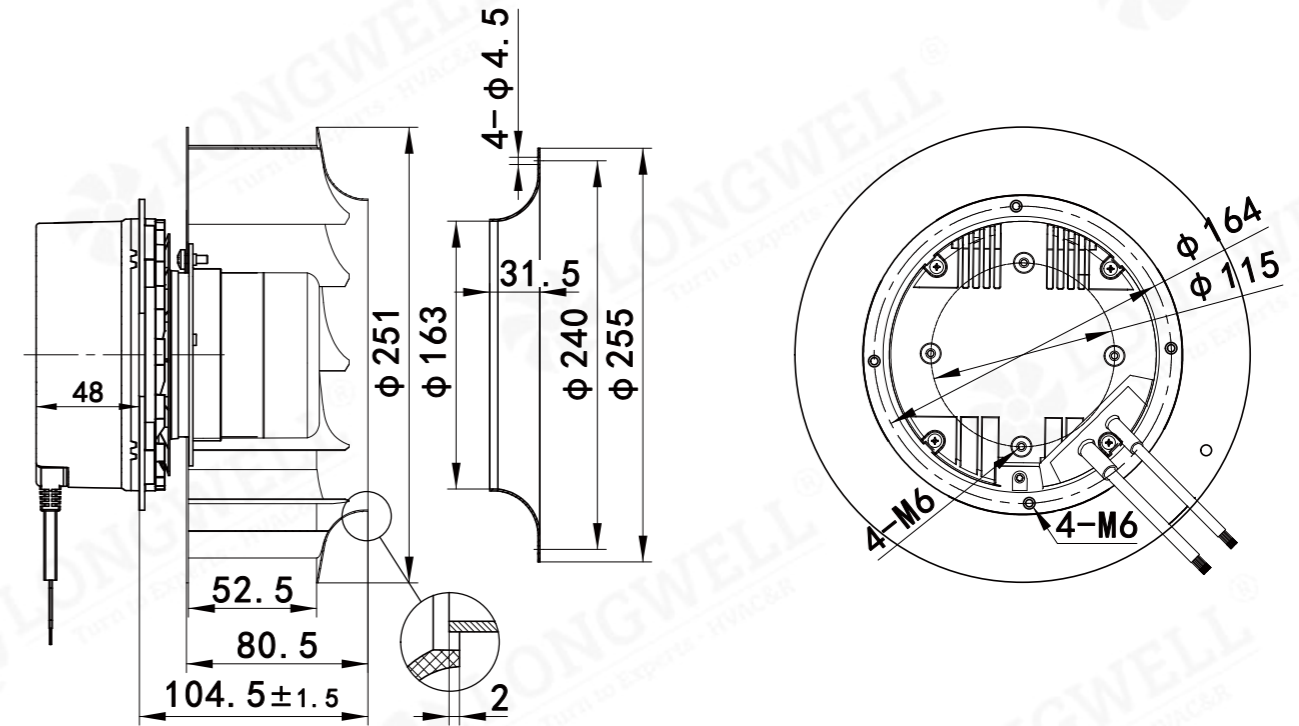


## Technical Specifications

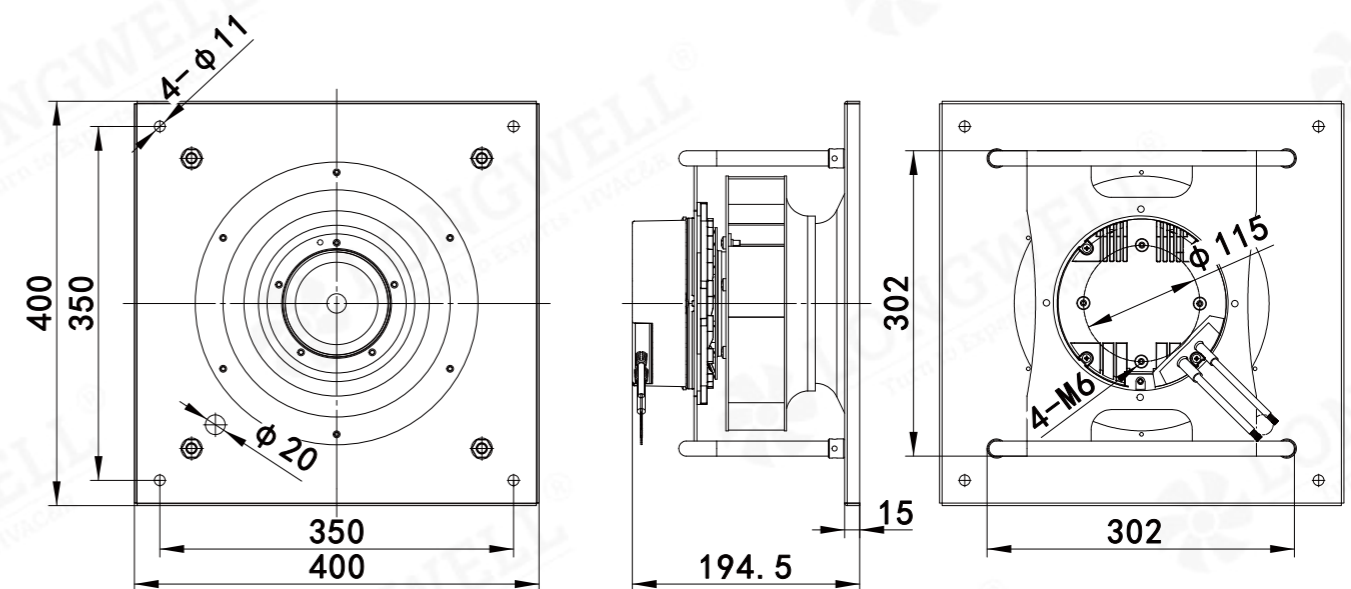
Model	Voltage (V)	Input Power (W)	Current (A)	Air Volume (m³/h)	Static Pressure (Pa)	Speed (RPM)	Noise [dB(A)]
LWBE3G250-102PS-22	230	240	1.6	1524	773	3150	78



## LWBE3G250-102NS-24 (without bracket)



## LWBE3G250-102PS-22 (with bracket)



# LWBE-250 Serie

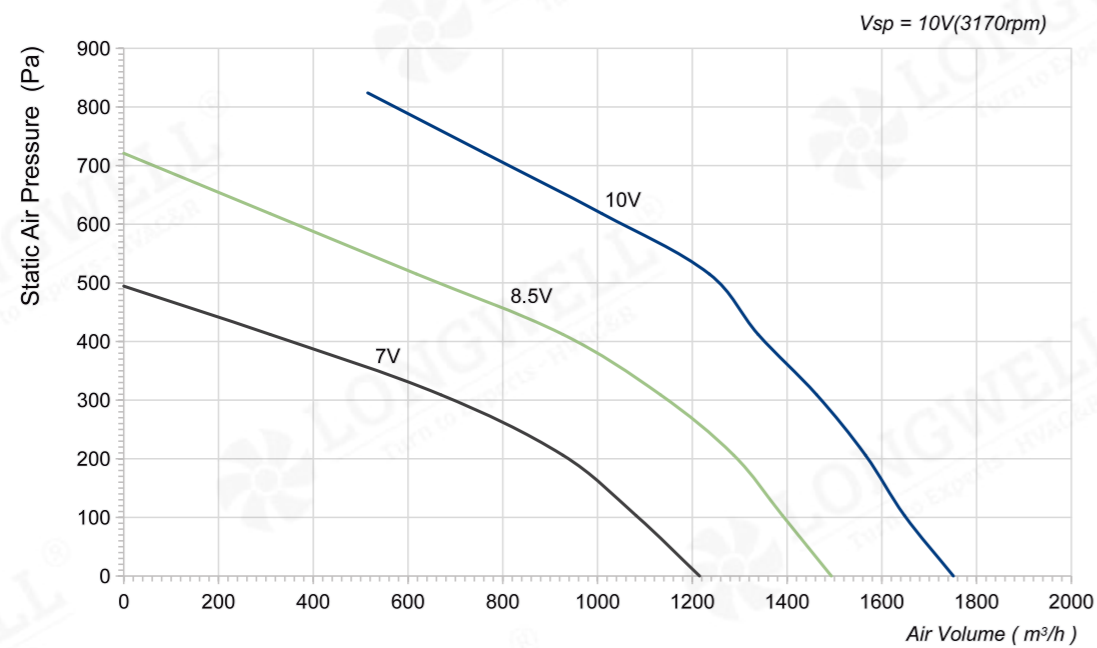
## Product Characteristic

- Impeller Material: Aluminum Alloy
- Supply Voltage: 230V/115V,50/60Hz
- Mode of Operation: S1
- Protection Class: IP44
- Insulation Class: B
- Operation Temperature: -25 C ~+60 C
- Technical Feature: Control input 0-10VDC/PWM,Tach output,Locked-Rotor protection,Reverse Polarity Over-voltage protection,Soft Start Protection.

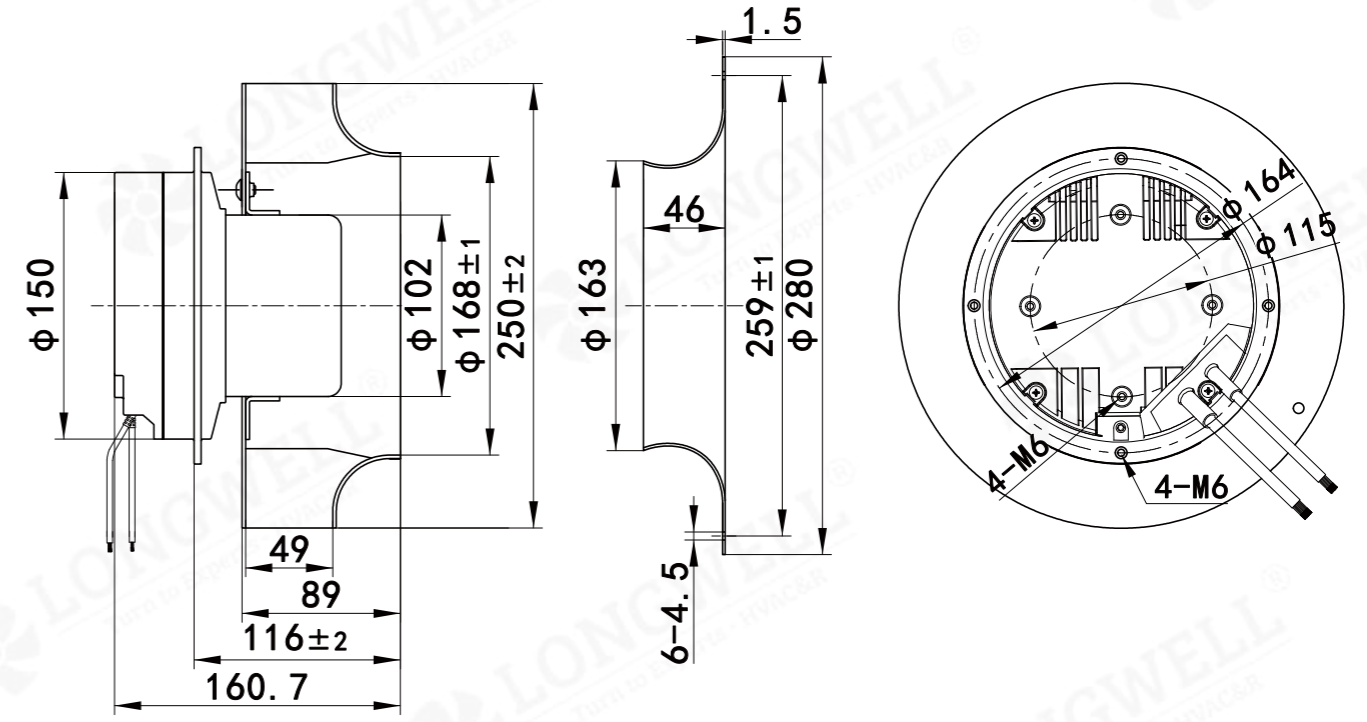


## Technical Specifications

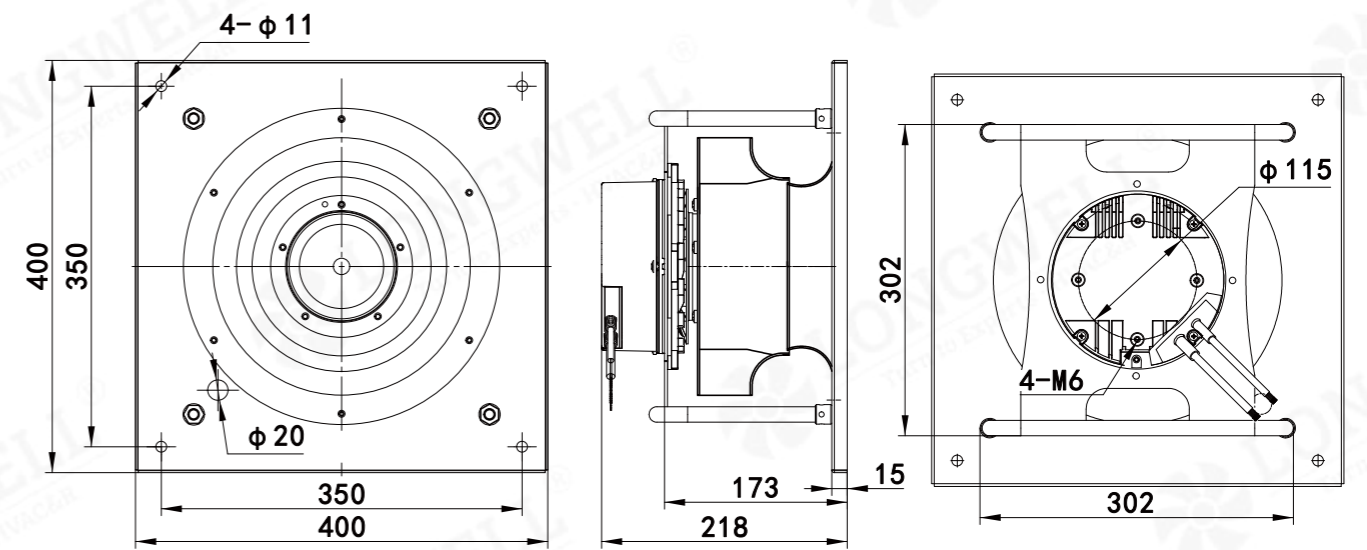
Model	Voltage (V)	Input Power (W)	Current (A)	Air Volume (m³/h)	Static Pressure (Pa)	Speed (RPM)	Noise [dB(A)]
LWBE3G250-102PS-23	230	270	1.2	1751	824	3170	84



### LWBE3G250-102NS-25 (without bracket)



### LWBE3G250-102PS-23 (with bracket)



# LWBE-250 Serie

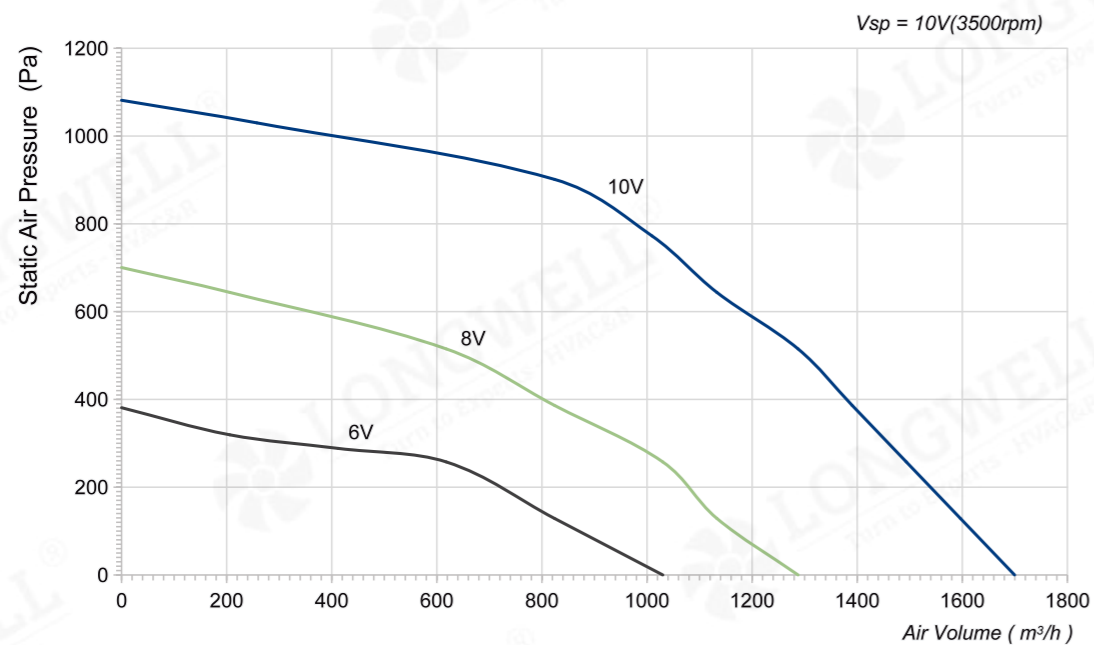
## Product Characteristic

- Impeller Material: Aluminum Alloy
- Supply Voltage: 230V/115V,50/60Hz
- Mode of Operation: S1
- Protection Class: IP44
- Insulation Class: F
- Operation Temperature: -25 C ~+60 C
- Technical Feature: Control input 0-10VDC/PWM,Tach output,Locked-Rotor protection,Reverse Polarity Over-voltage protection,Soft Start Protection.

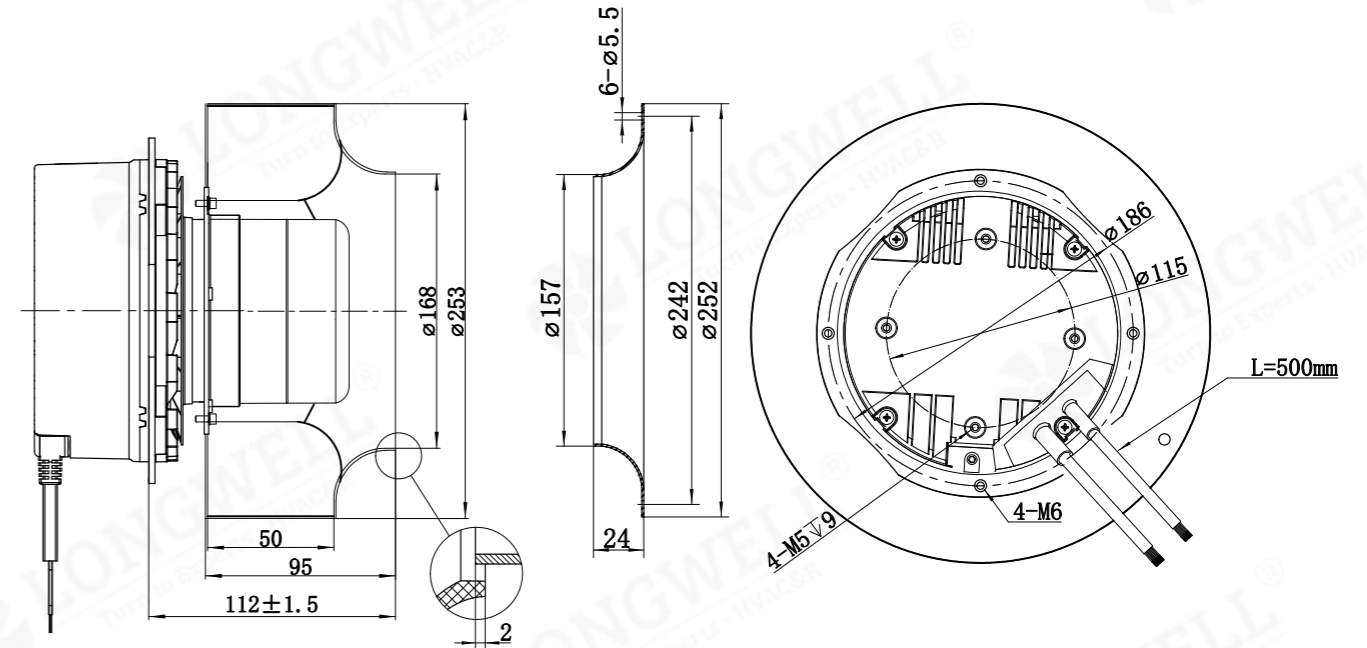


## Technical Specifications

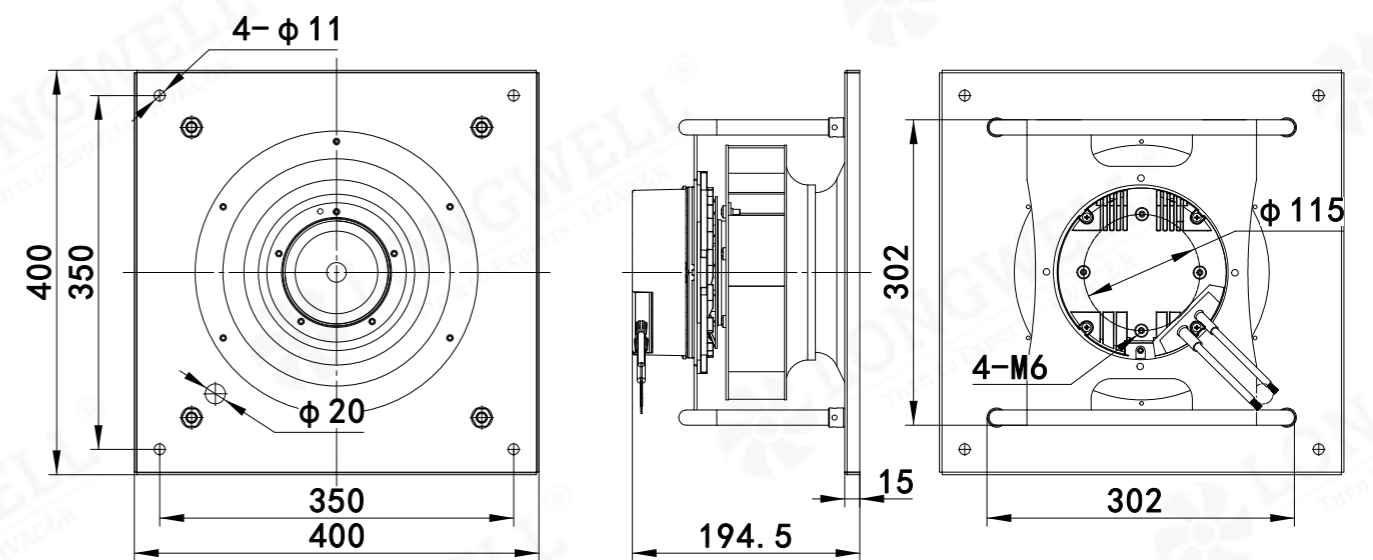
Model	Voltage (V)	Input Power (W)	Current (A)	Air Volume (m³/h)	Static Pressure (Pa)	Speed (RPM)	Noise [dB(A)]
LWBE3G250-102PS-24	230	370	2.6	1700	1082	3500	82



## LWBE3G250-102NS-26 (without bracket)



## LWBE3G250-102PS-24 (with bracket)



# LWBE-280 Serie

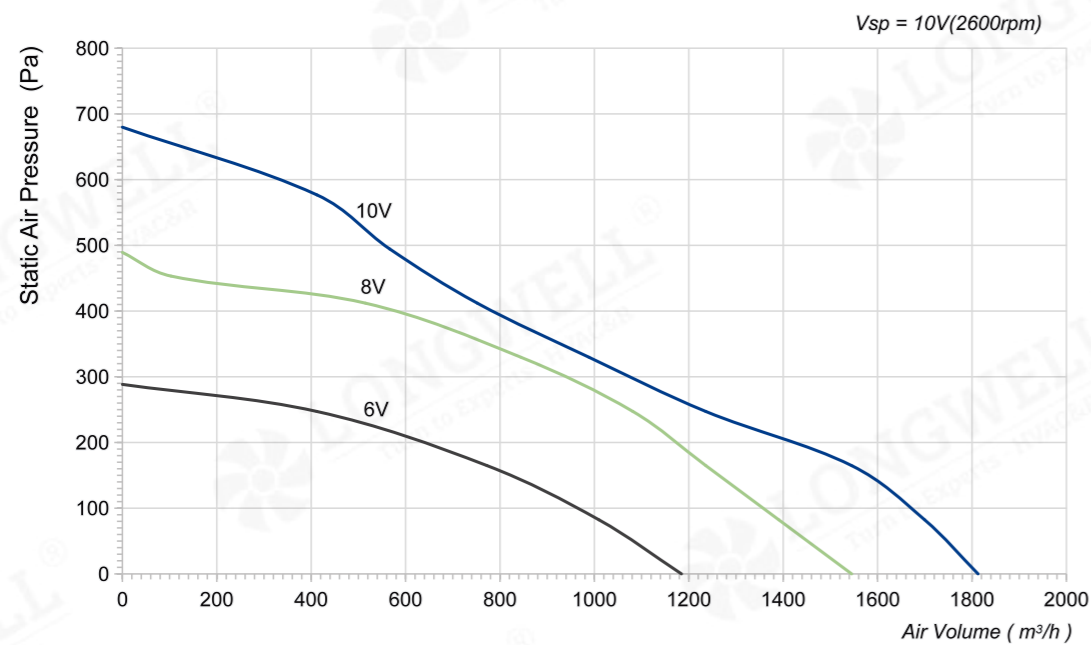
## Product Characteristic

- Impeller Material: Galvanised sheet steel
- Supply Voltage: 230V/115V,50/60Hz
- Mode of Operation: S1
- Protection Class: IP44
- Insulation Class: F
- Operation Temperature: -25 C ~+60 C
- Technical Feature: Control input 0-10VDC/PWM, Tach output, Locked-Rotor protection, Reverse Polarity Over-voltage protection, Soft Start Protection.

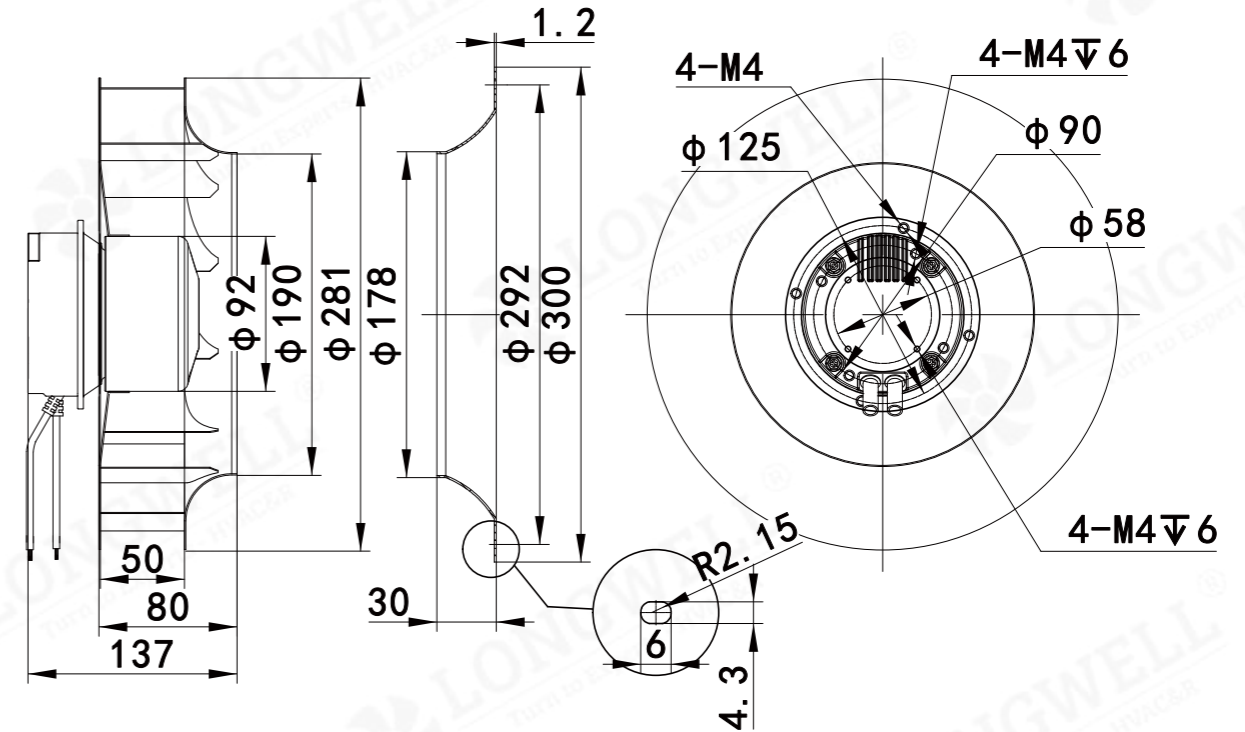


## Technical Specifications

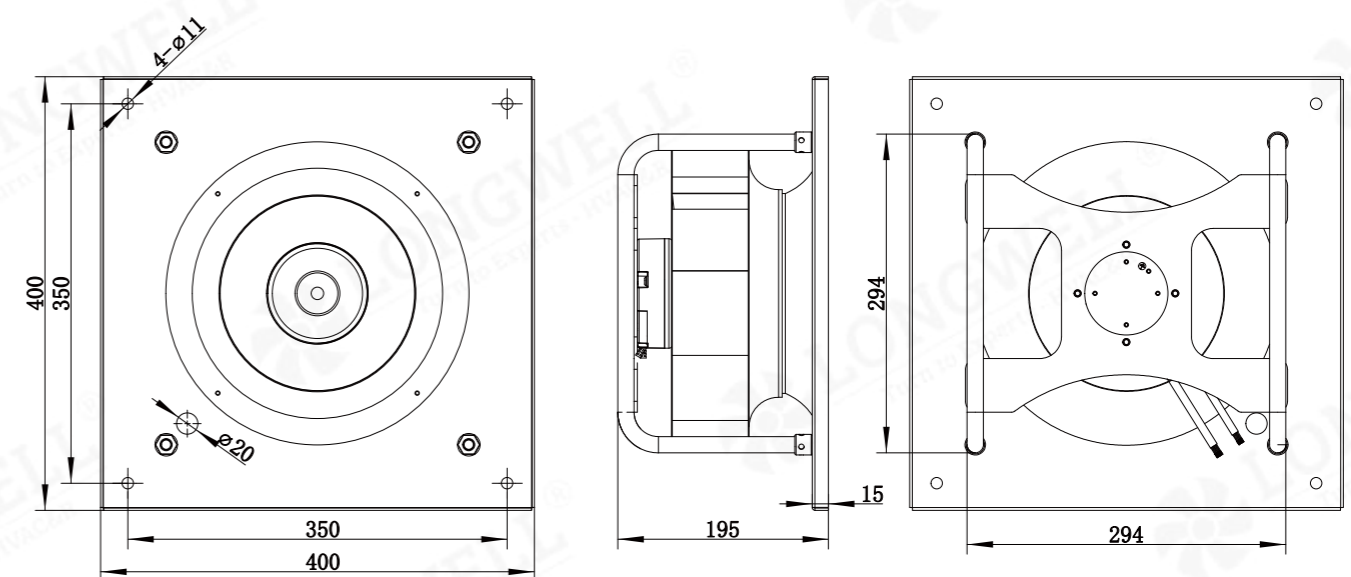
Model	Voltage (V)	Input Power (W)	Current (A)	Air Volume (m³/h)	Static Pressure (Pa)	Speed (RPM)	Noise [dB(A)]
LWBE3G280-092PS-15	230	165	1.25	1813	680	2600	74



## LWBE3G280-092NS-12 (without bracket)



## LWBE3G280-092PS-15 (with bracket)



# LWBE-280 Serie

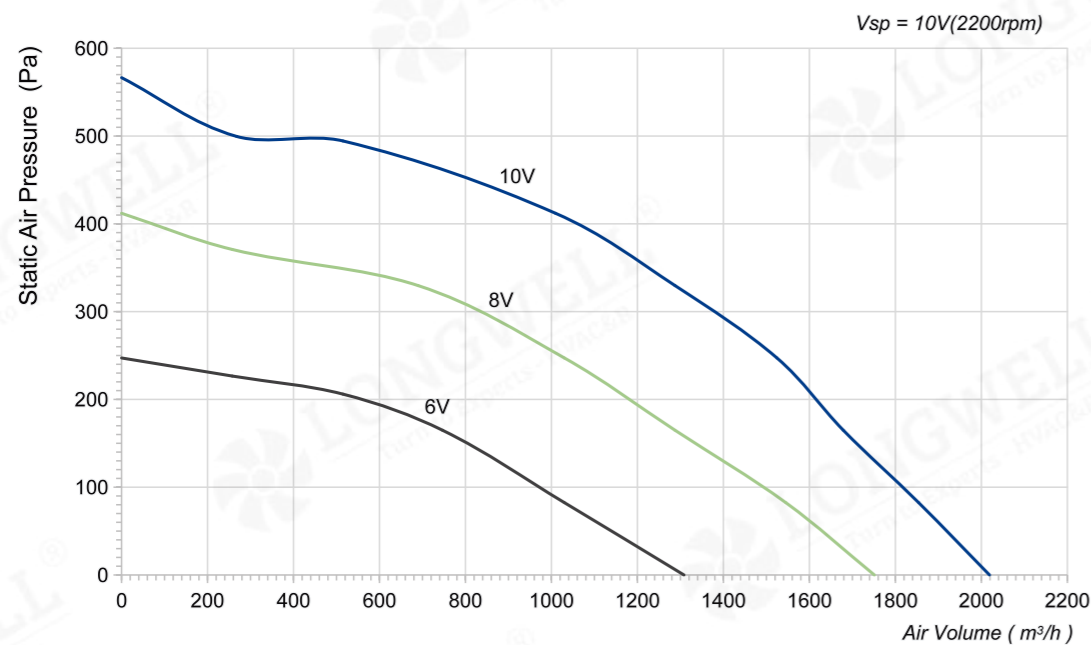
## Product Characteristic

- Impeller Material: Galvanised sheet steel
- Supply Voltage: 230V/115V,50/60Hz
- Mode of Operation: S1
- Protection Class: IP44
- Insulation Class: F
- Operation Temperature: -25 C ~+60 C
- Technical Feature: Control input 0-10VDC/PWM, Tach output, Locked-Rotor protection, Reverse Polarity Over-voltage protection, Soft Start Protection.

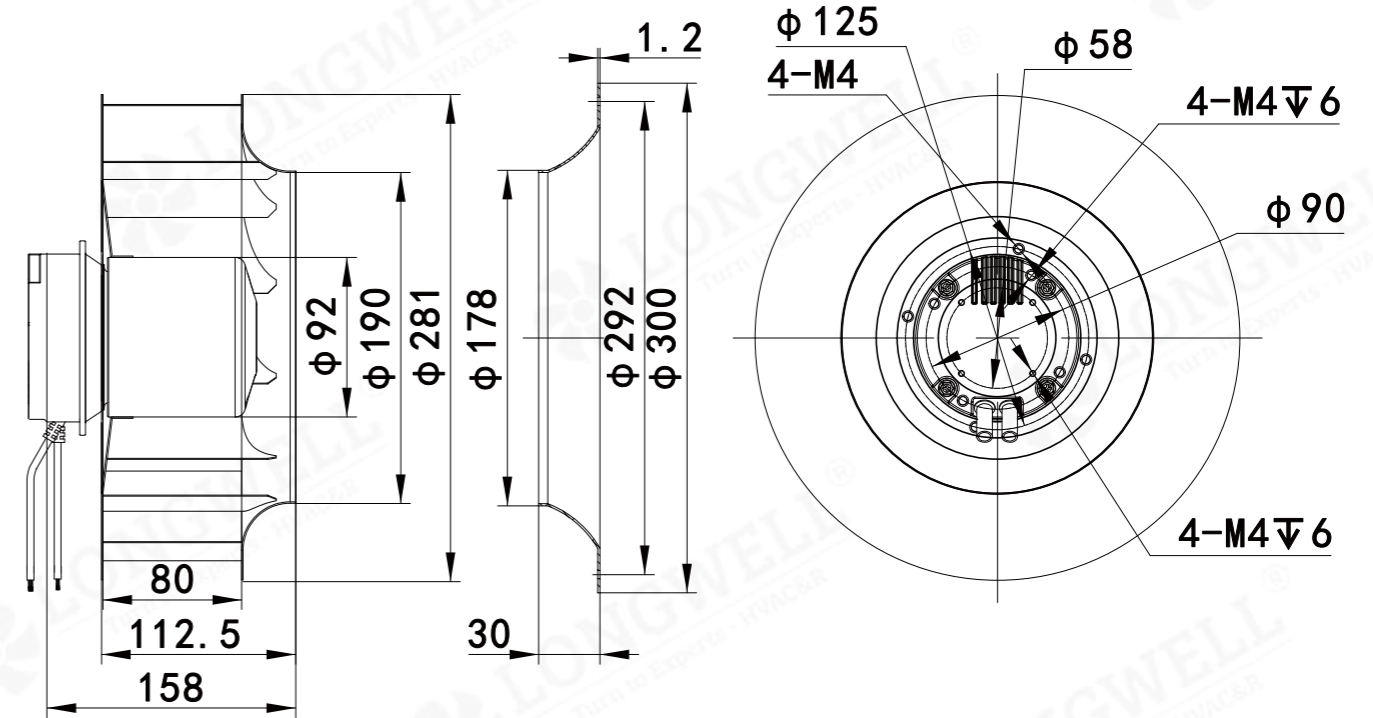


## Technical Specifications

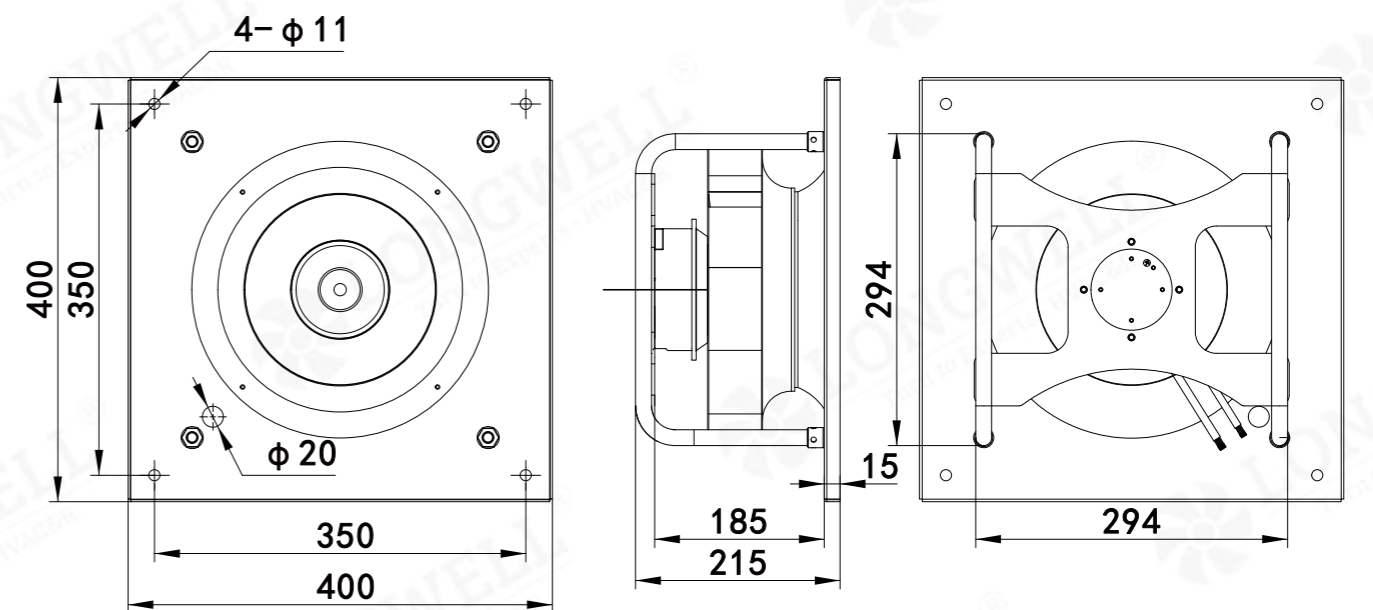
Model	Voltage (V)	Input Power (W)	Current (A)	Air Volume (m³/h)	Static Pressure (Pa)	Speed (RPM)	Noise [dB(A)]
LWBE3G280-092PS-13	230	180	1.35	2019	546	2200	72



## LWBE3G280-092NS-17 (without bracket)



## LWBE3G280-092PS-13 (with bracket)



# LWBE-280 Serie

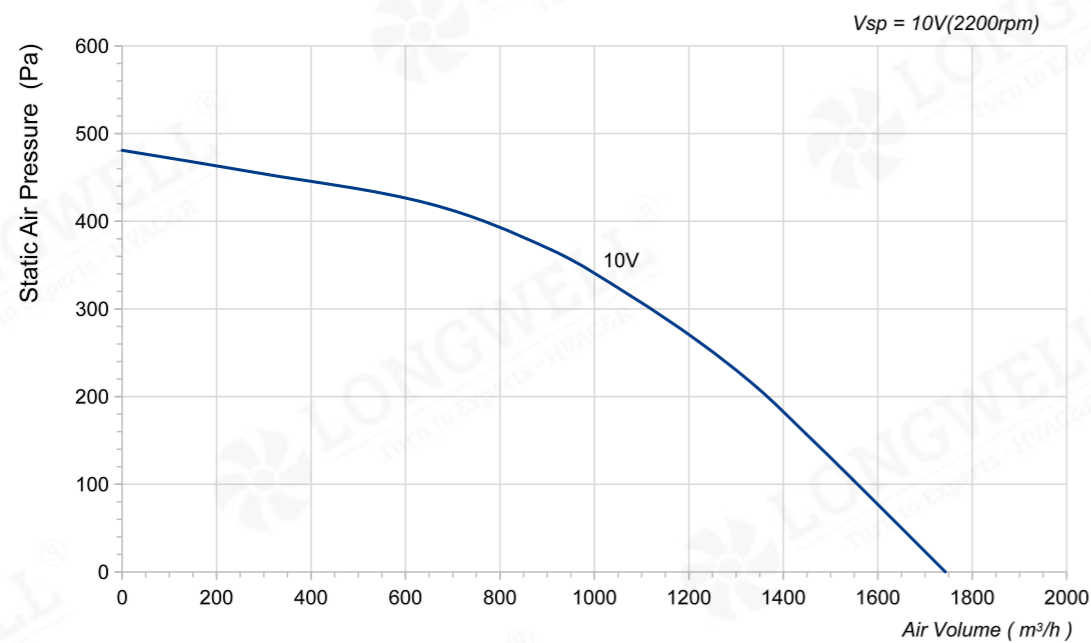
## Product Characteristic

- Impeller Material: Galvanised sheet steel
- Supply Voltage: 230V/115V,50/60Hz
- Mode of Operation: S1
- Protection Class: IP54
- Insulation Class: F
- Operation Temperature: -25 C ~+60 C
- Technical Feature: Control input 0-10VDC/PWM, Tach output, Locked-Rotor protection, Reverse Polarity Over-voltage protection, Soft Start Protection.

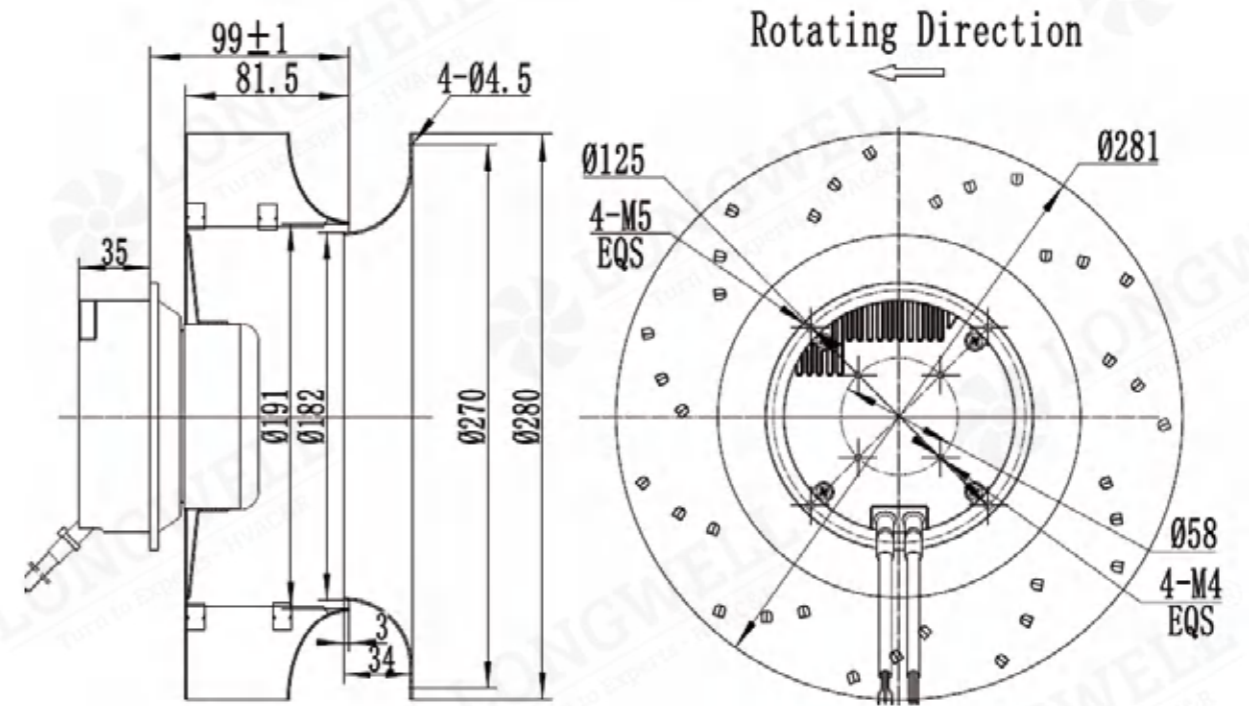


## Technical Specifications

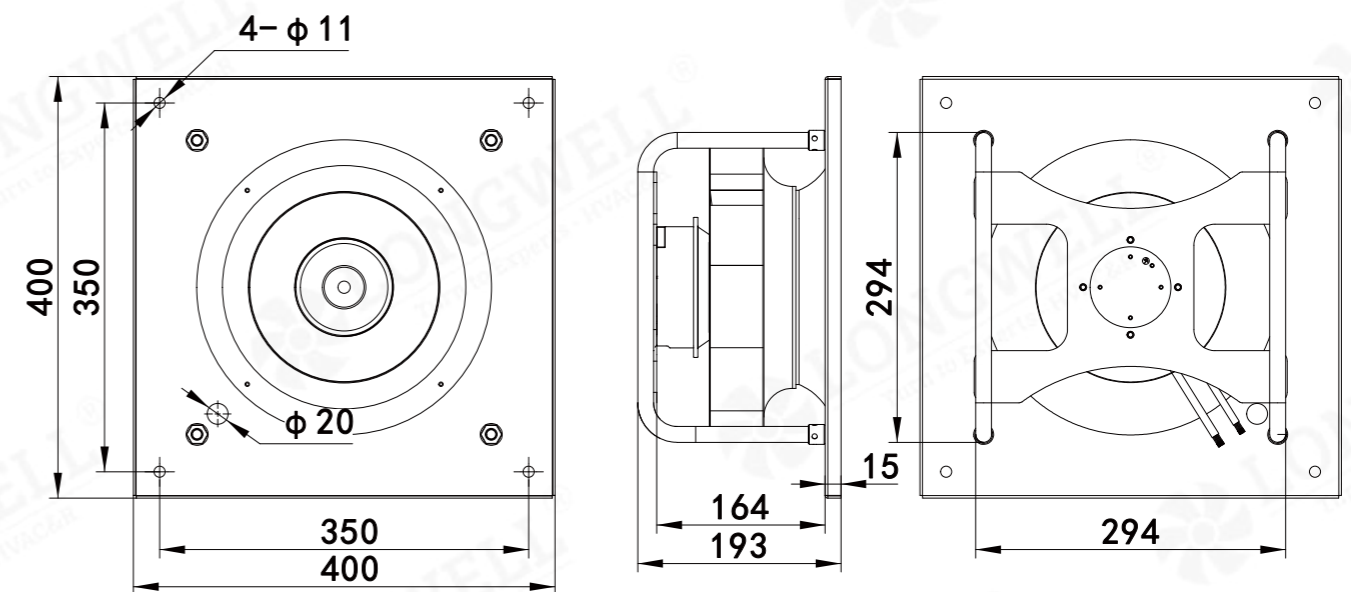
Model	Voltage (V)	Input Power (W)	Current (A)	Air Volume (m³/h)	Static Pressure (Pa)	Speed (RPM)	Noise [dB(A)]
LWBE3G280-092PS-14	230	105	0.86	1743	481	2200	/



## LWBE3G280-092NS-13 (without bracket)



## LWBE3G280-092PS-14 (with bracket)



# LWBE-280 Serie

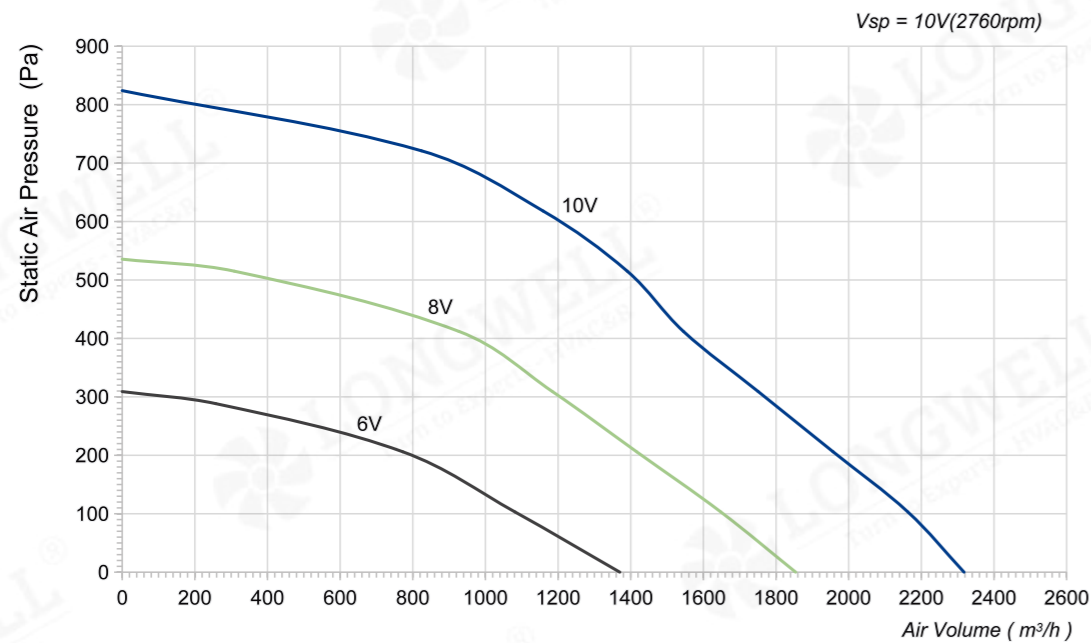
## Product Characteristic

- Impeller Material: Aluminum Alloy
- Supply Voltage: 230V/115V,50/60Hz
- Mode of Operation: S1
- Protection Class: IP44
- Insulation Class: F
- Operation Temperature: -25 C ~+60 C
- Technical Feature: Control input 0-10VDC/PWM, Tach output, Locked-Rotor protection, Reverse Polarity Over-voltage protection, Soft Start Protection.

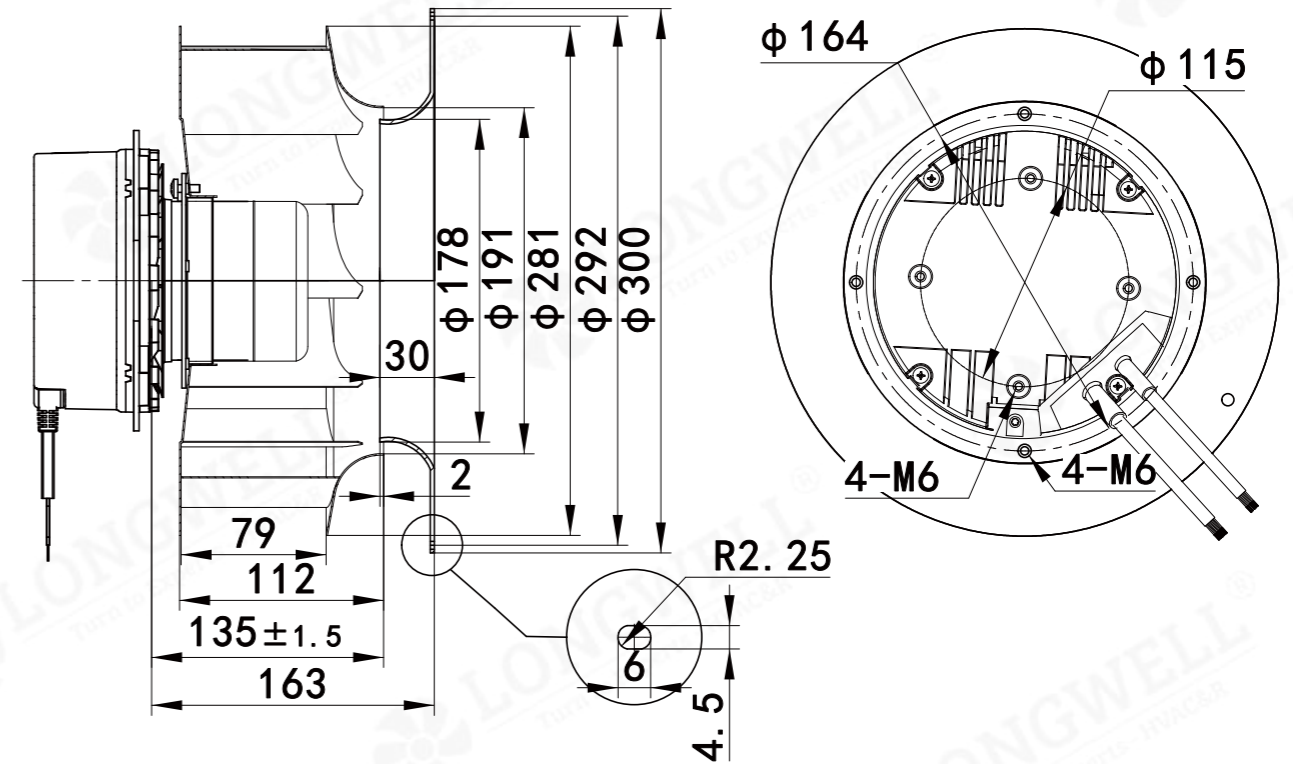


## Technical Specifications

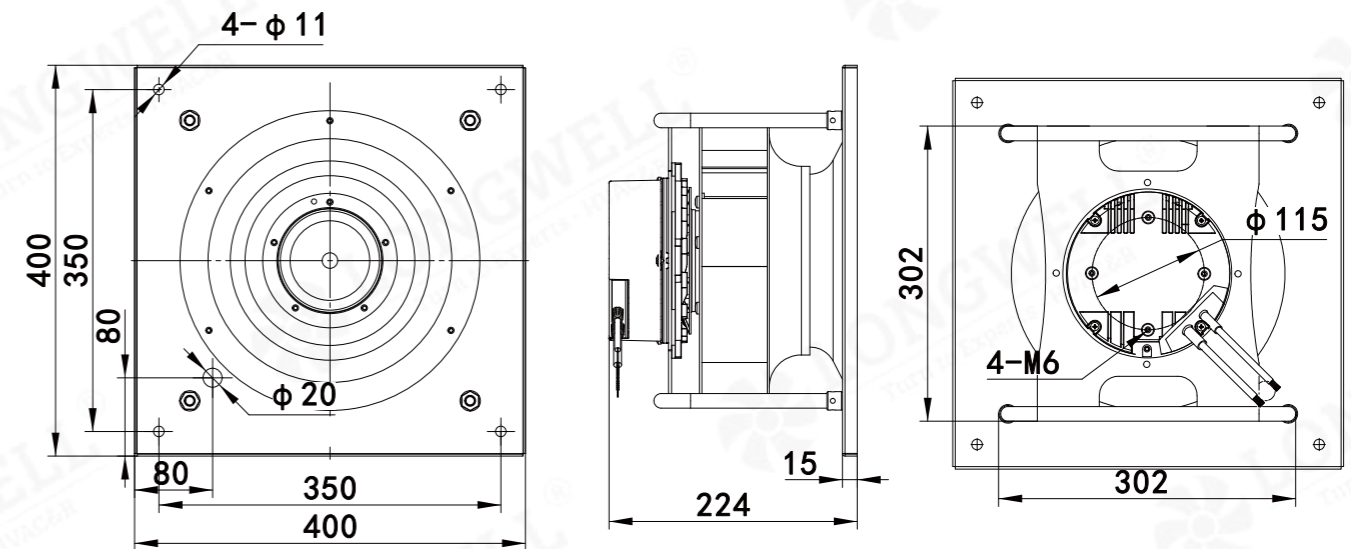
Model	Voltage (V)	Input Power (W)	Current (A)	Air Volume (m³/h)	Static Pressure (Pa)	Speed (RPM)	Noise [dB(A)]
LWBE3G280-102PS-16	230	340	2.3	2318	824	2760	78



## LWBE3G280-102NS-14 (without bracket)



## LWBE3G280-102PS-16 (with bracket)



# LWBE-280 Serie

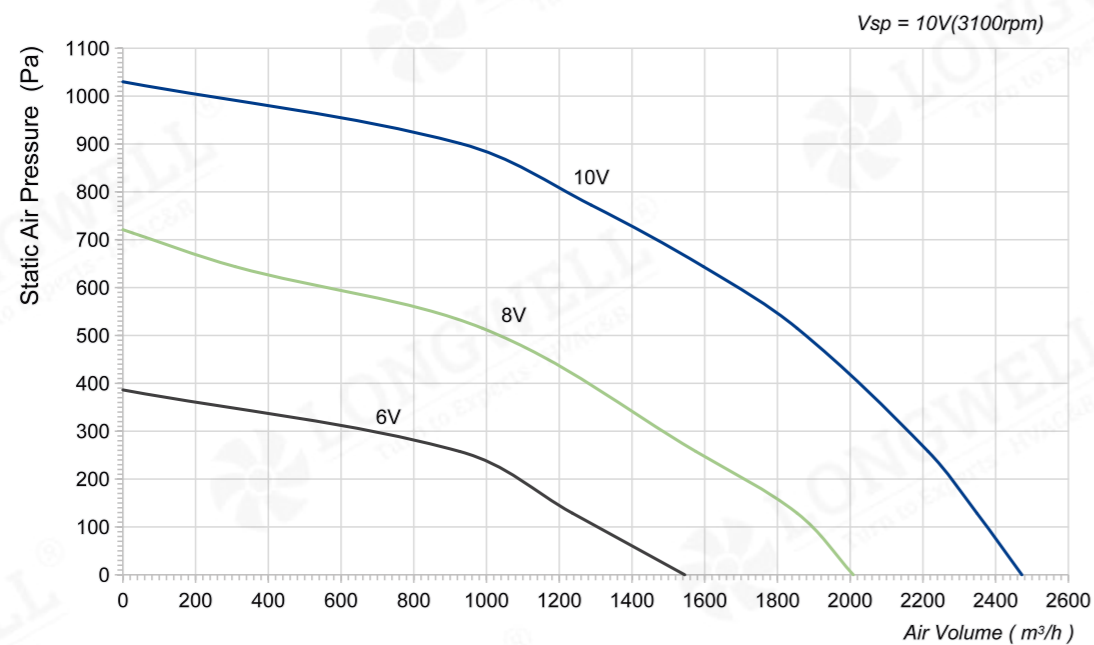
## Product Characteristic

- Impeller Material: Aluminum Alloy
- Supply Voltage: 230V/115V,50/60Hz
- Mode of Operation: S1
- Protection Class: IP44
- Insulation Class: F
- Operation Temperature: -25 C ~+60 C
- Technical Feature: Control input 0-10VDC/PWM,Tach output,Locked-Rotor protection,Reverse Polarity Over-voltage protection,Soft Start Protection.

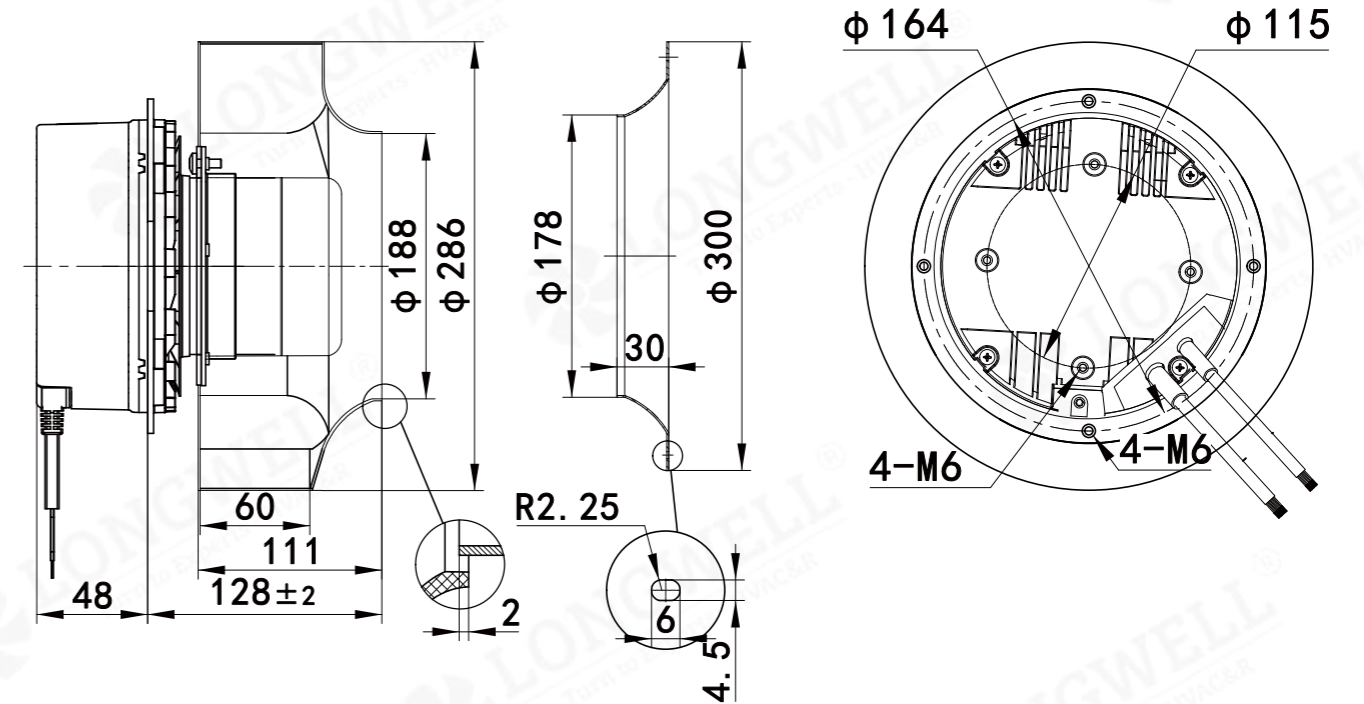


## Technical Specifications

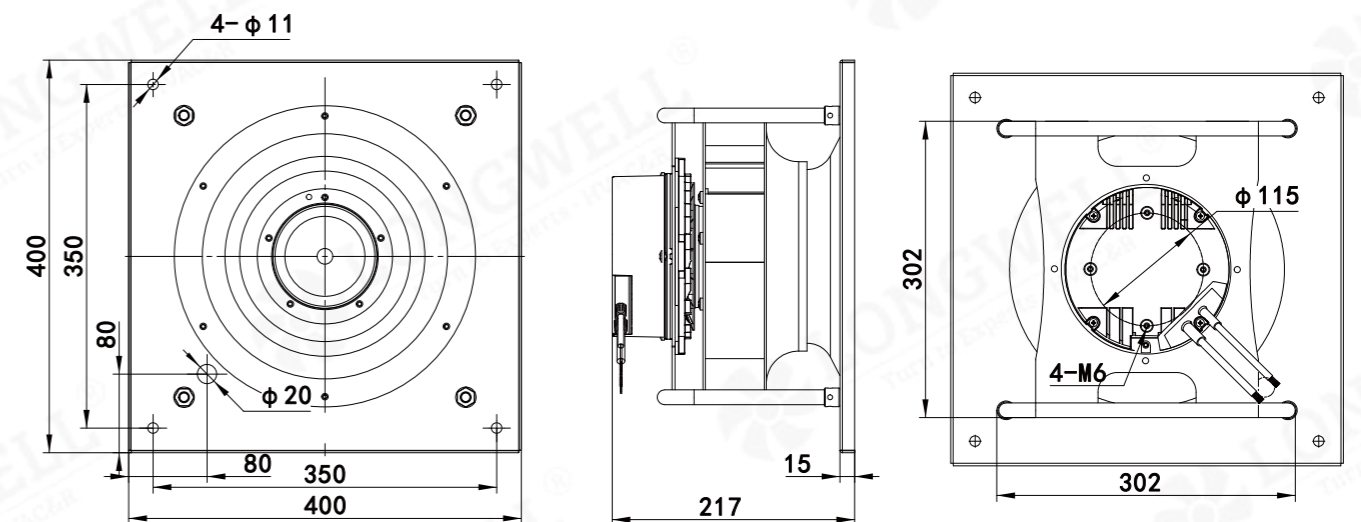
Model	Voltage (V)	Input Power (W)	Current (A)	Air Volume (m³/h)	Static Pressure (Pa)	Speed (RPM)	Noise [dB(A)]
LWBE3G280-102PS-18	230	475	3.1	2472	1051	3100	82



## LWBE3G280-102NS-15 (without bracket)



## LWBE3G280-102PS-18 (with bracket)



# LWBE-280 Serie

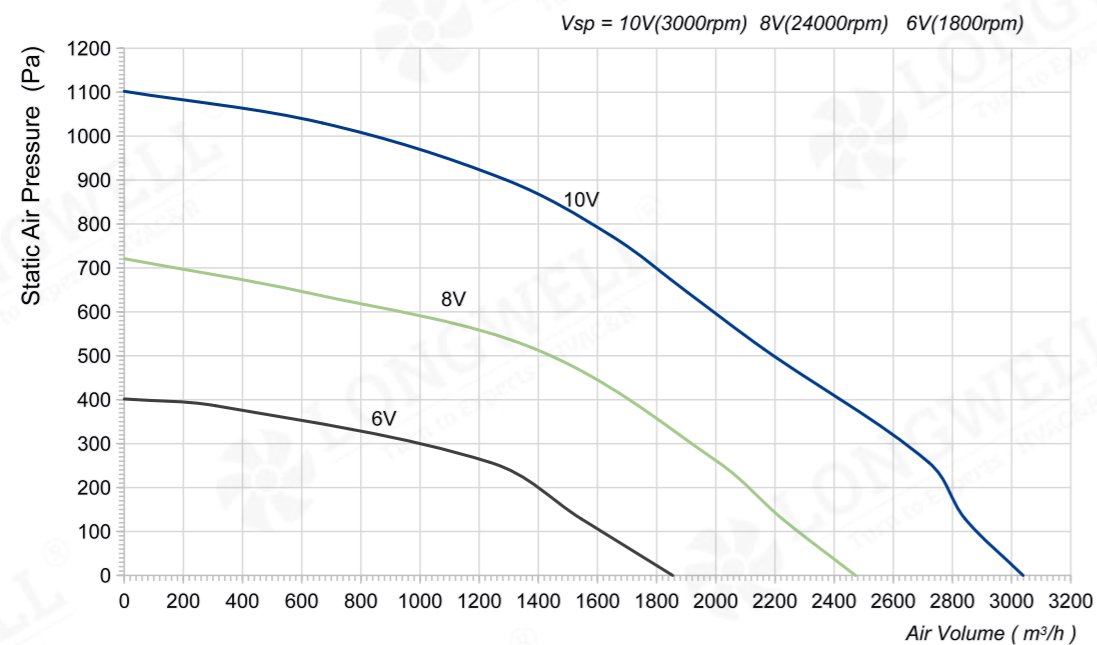
## Product Characteristic

- Impeller Material: Galvanised sheet steel
- Supply Voltage: 230V/115V,50/60Hz
- Mode of Operation: S1
- Protection Class: IP44
- Insulation Class: F
- Operation Temperature: -25 C ~+60 C
- Technical Feature: Control input 0-10VDC/PWM, Tach output, Locked-Rotor protection, Reverse Polarity Over-voltage protection, Soft Start Protection.

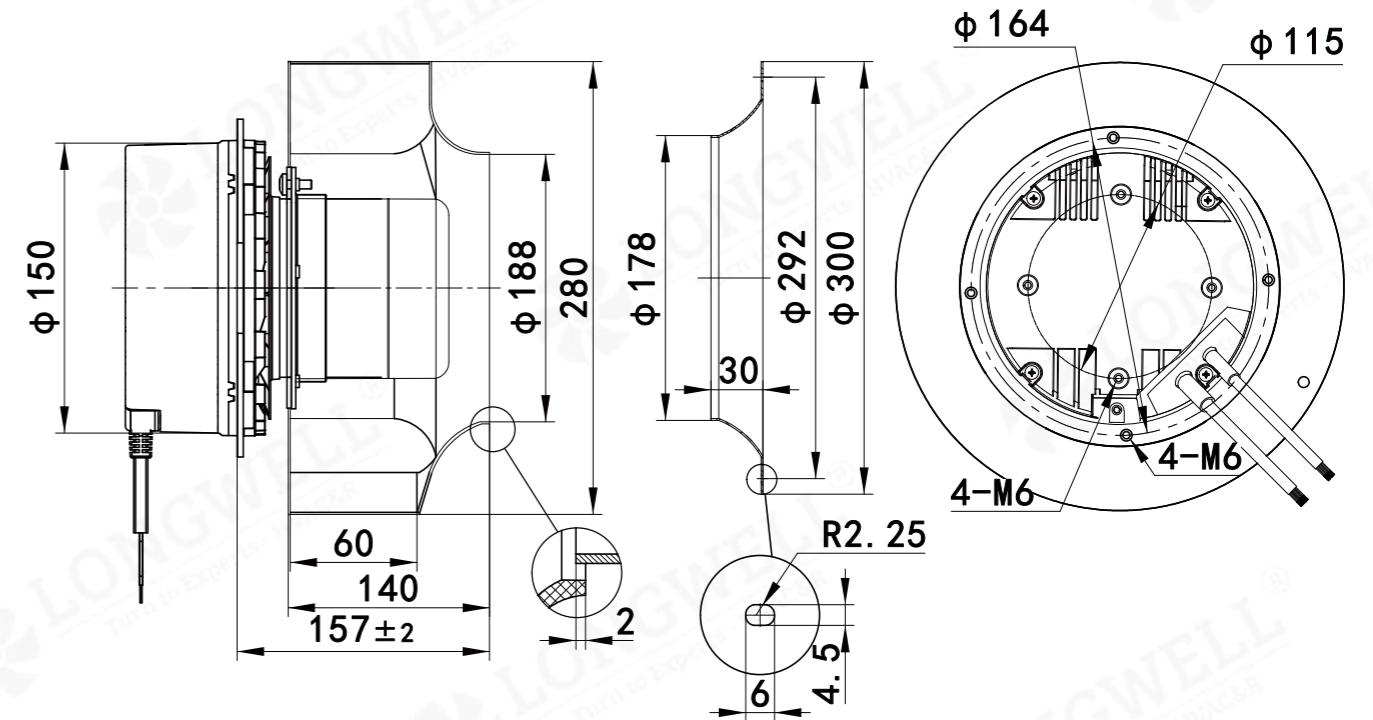


## Technical Specifications

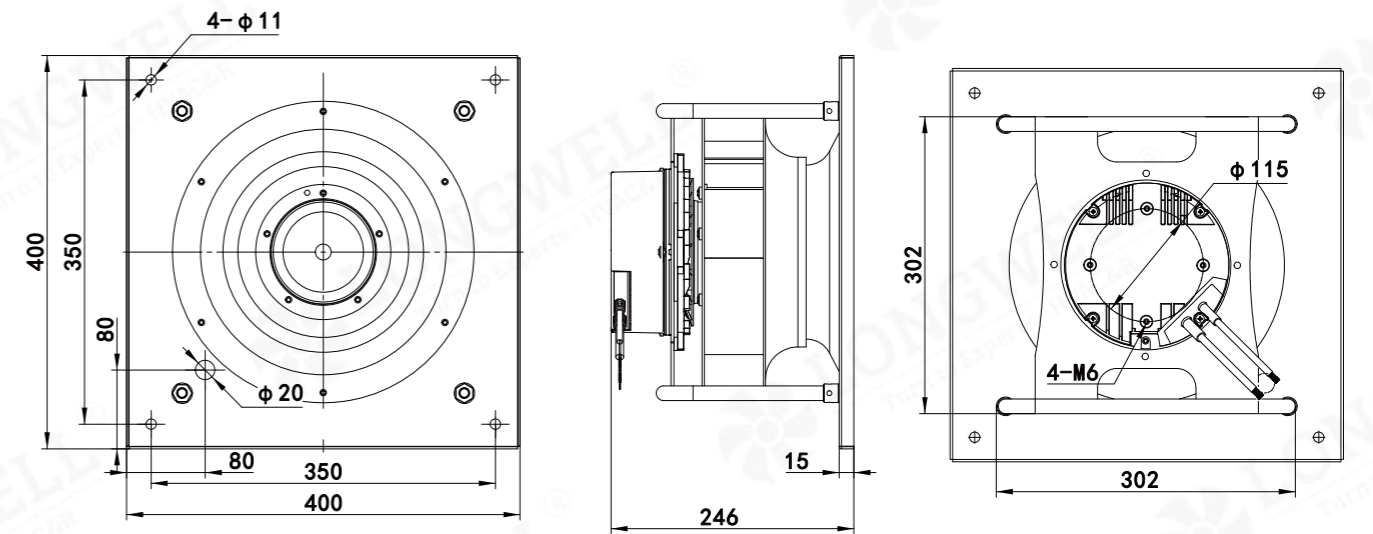
Model	Voltage (V)	Input Power (W)	Current (A)	Air Volume (m³/h)	Static Pressure (Pa)	Speed (RPM)	Noise [dB(A)]
LWBE3G280-102PS-19	230	625	4	3039	1102	3000	82



### LWBE3G280-102NS-19 (without bracket)



### LWBE3G280-102PS-19 (with bracket)



# LWBE-280 Serie

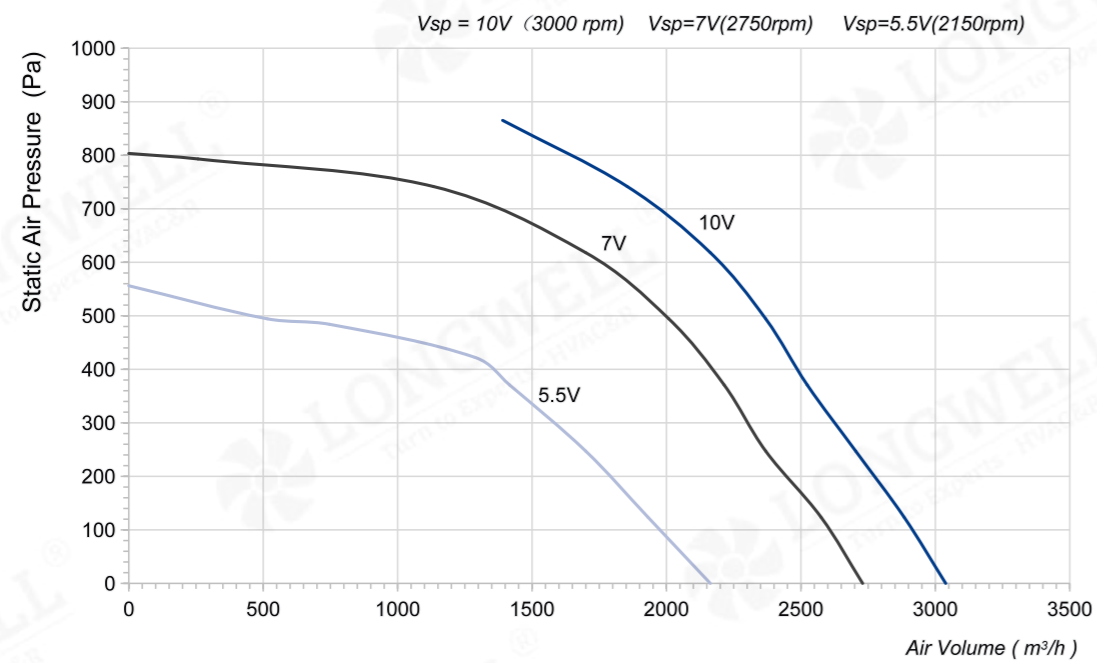
## Product Characteristic

- Impeller Material: Aluminum Alloy
- Supply Voltage: 400V,50/60Hz
- Mode of Operation: S1
- Protection Class: IP44
- Insulation Class: F
- Operation Temperature: -25 C ~+60 C
- Technical Feature: Control input 0-10VDC/PWM,Tach output,Locked-Rotor protection,Reverse Polarity Over-voltage protection,Soft Start Protection.

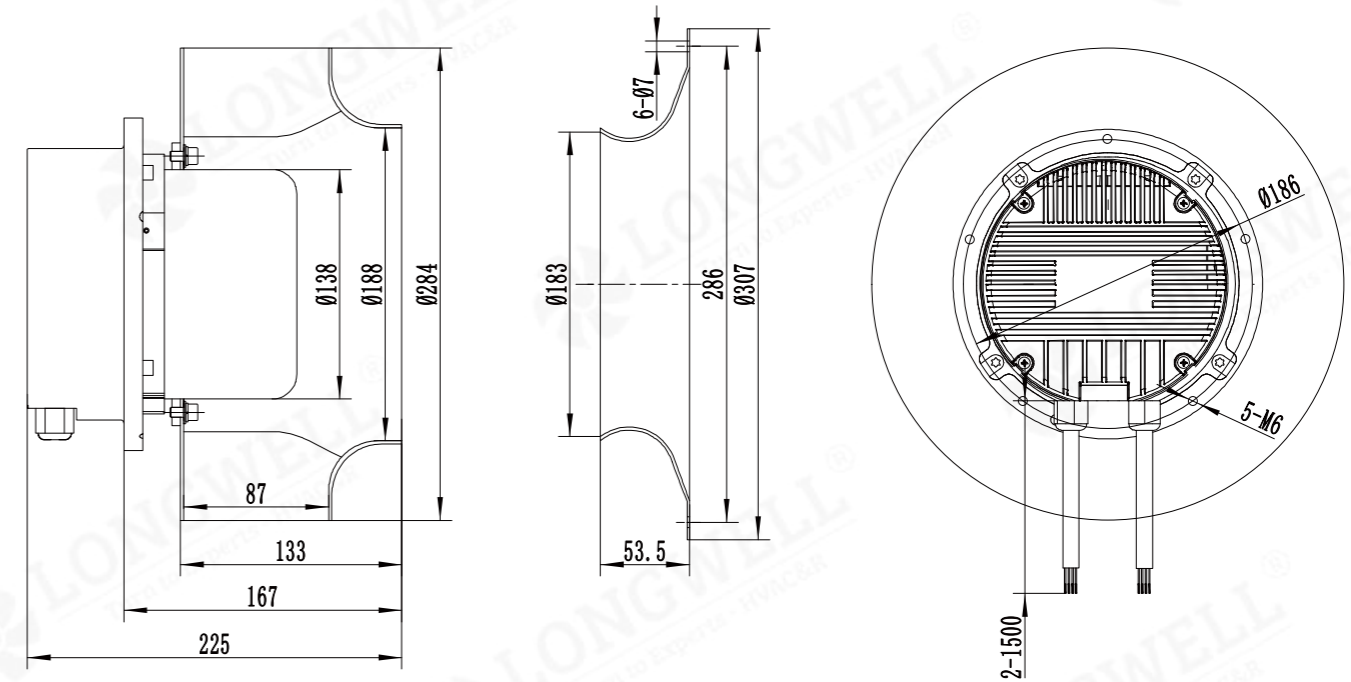


## Technical Specifications

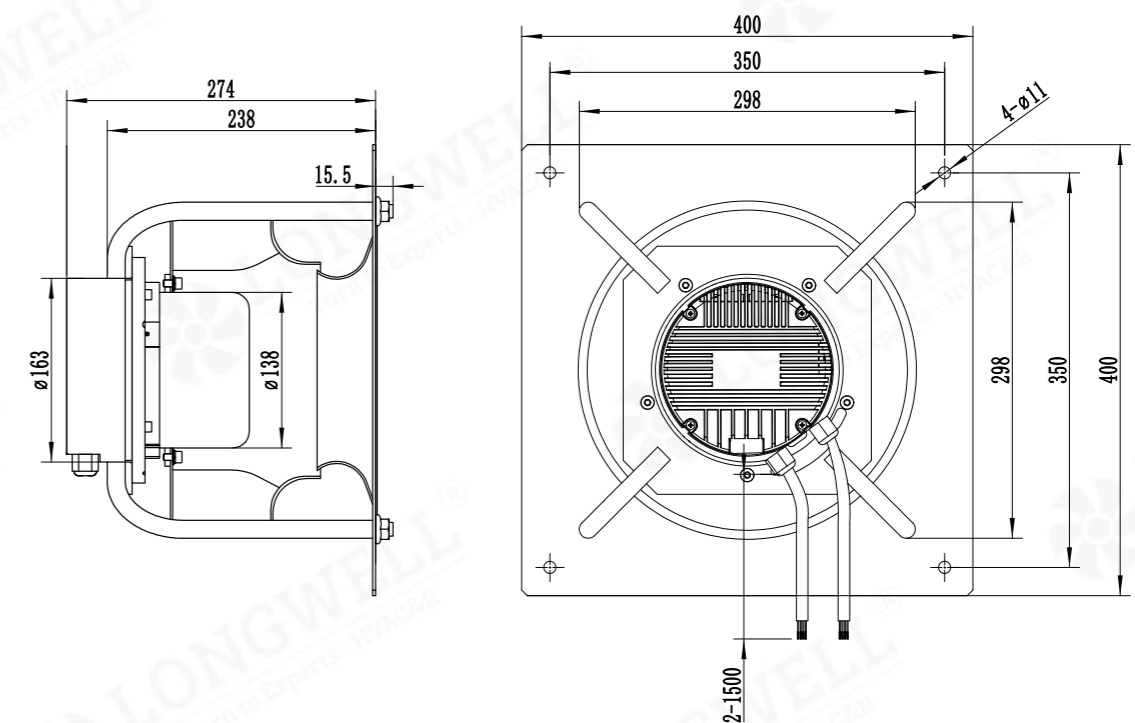
Model	Voltage (V)	Input Power (W)	Current (A)	Air Volume (m³/h)	Static Pressure (Pa)	Speed (RPM)	Noise [dB(A)]
LWBE3G280-138PT-05	400	860	1.22	3028	886	3000	85



## LWBE3G280-138NT-03 (without bracket)



## LWBE3G280-138PT-05 (with bracket)



# LWBE-280 Serie

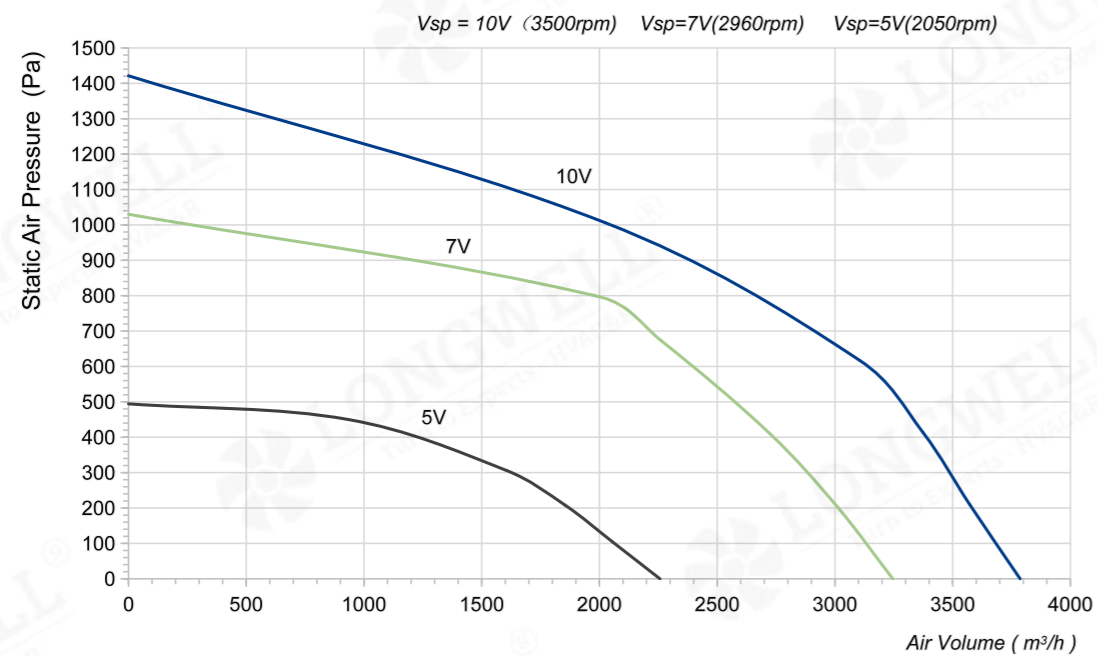
## Product Characteristic

- Impeller Material: Aluminum Alloy
- Supply Voltage: 400V,50/60Hz
- Mode of Operation: S1
- Protection Class: IP44
- Insulation Class: F
- Operation Temperature: -25 C ~+60 C
- Technical Feature: Control input 0-10VDC/PWM,Tach output,Locked-Rotor protection,Reverse Polarity Over-voltage protection,Soft Start Protection.

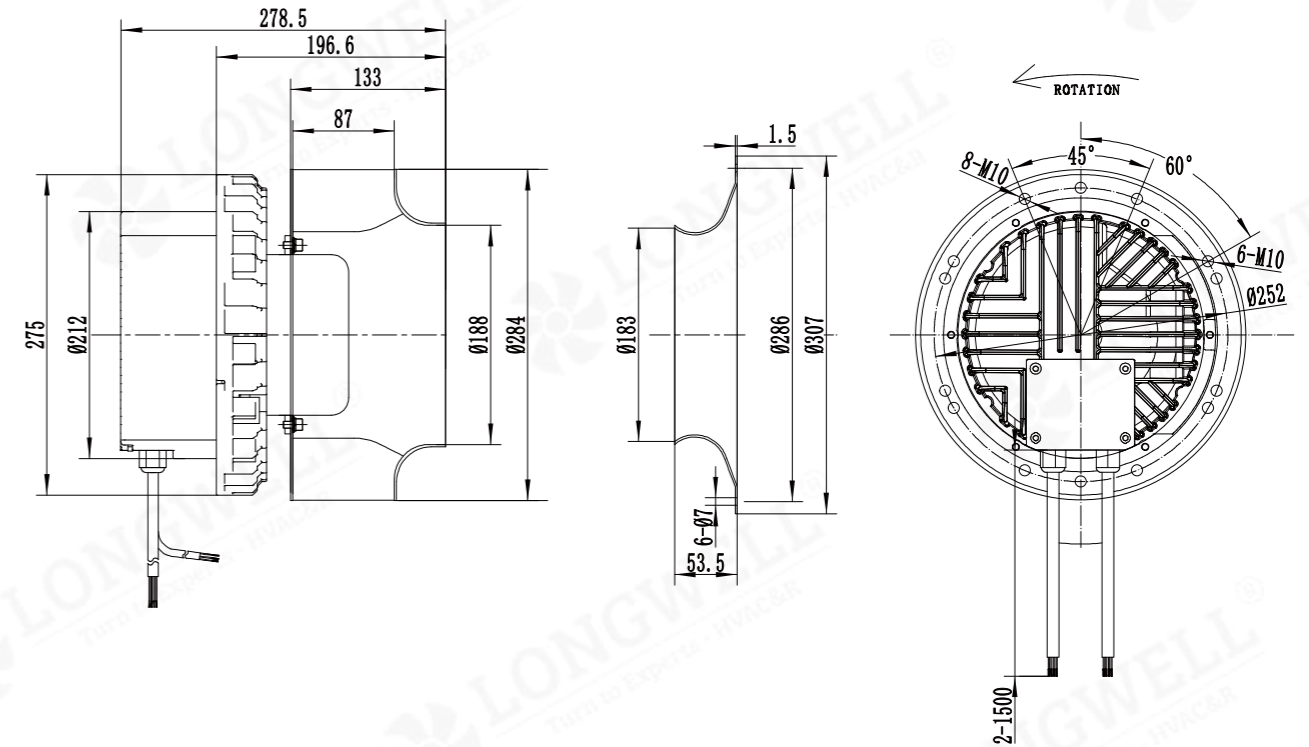


## Technical Specifications

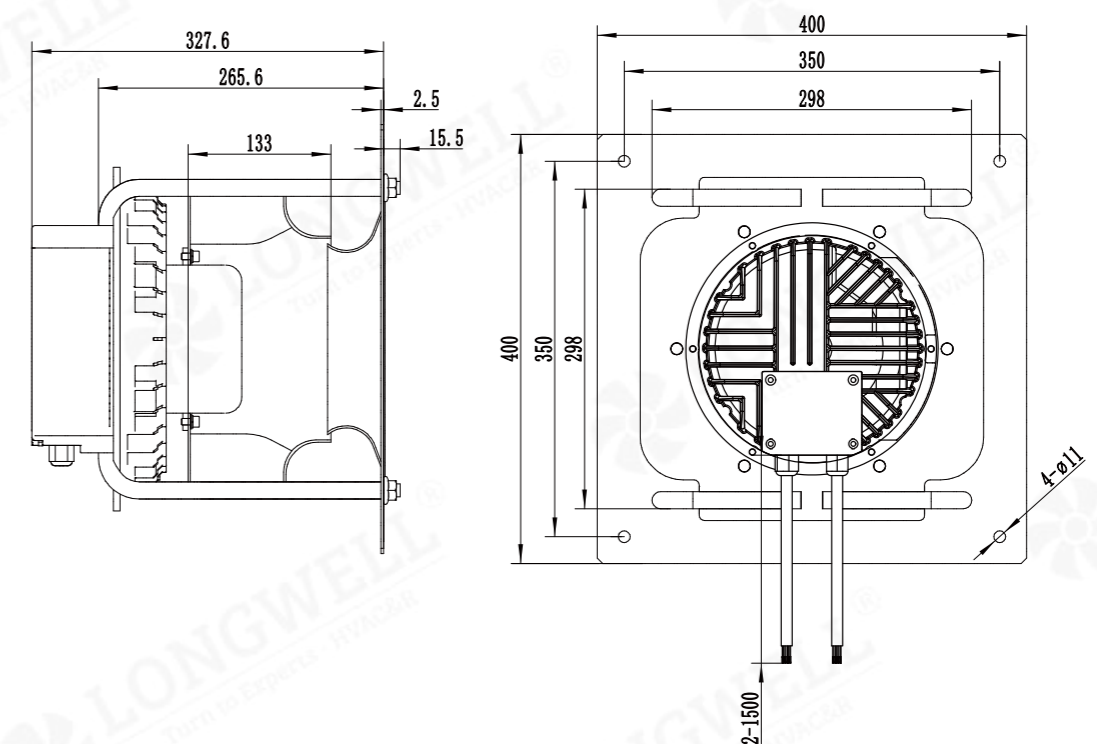
Model	Voltage (V)	Input Power (W)	Current (A)	Air Volume (m³/h)	Static Pressure (Pa)	Speed (RPM)	Noise [dB(A)]
LWBE3G280-138PT-06	400	1355	1.9	3790	1421	3500	89



## LWBE3G280-138NT-18 (without bracket)



## LWBE3G280-138PT-06 (with bracket)



# LWBE-310 Serie

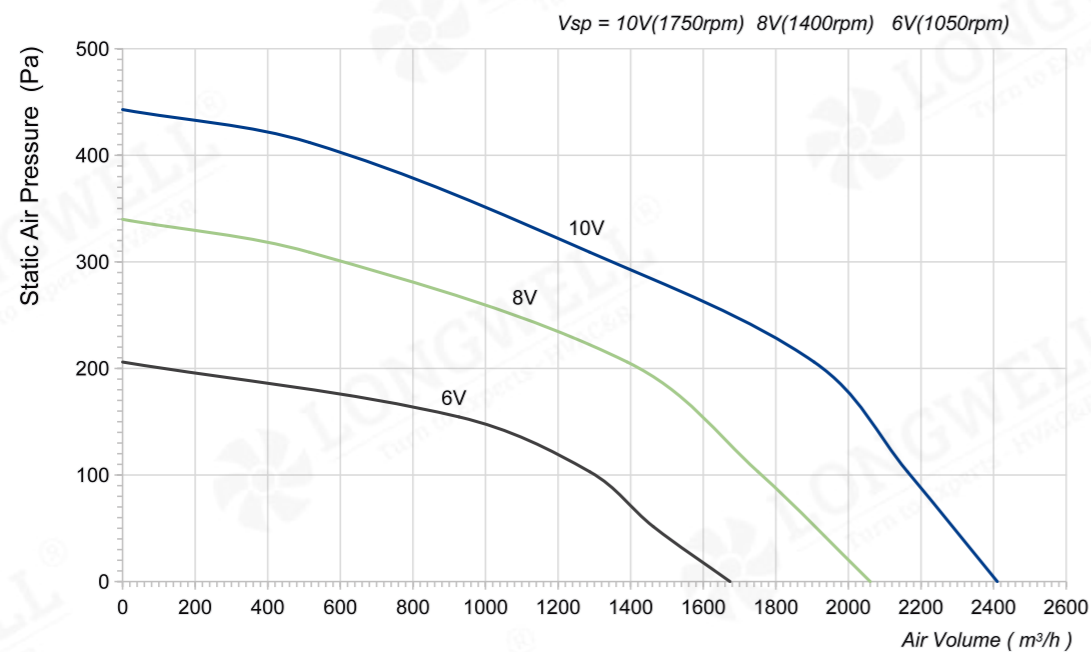
## Product Characteristic

- Impeller Material: Aluminum Alloy
- Supply Voltage: 230V/115V,50/60Hz
- Mode of Operation: S1
- Protection Class: IP44
- Insulation Class: F
- Operation Temperature: -25 C ~+60 C
- Technical Feature: Control input 0-10VDC/PWM, Tach output, Locked-Rotor protection, Reverse Polarity Over-voltage protection, Soft Start Protection.

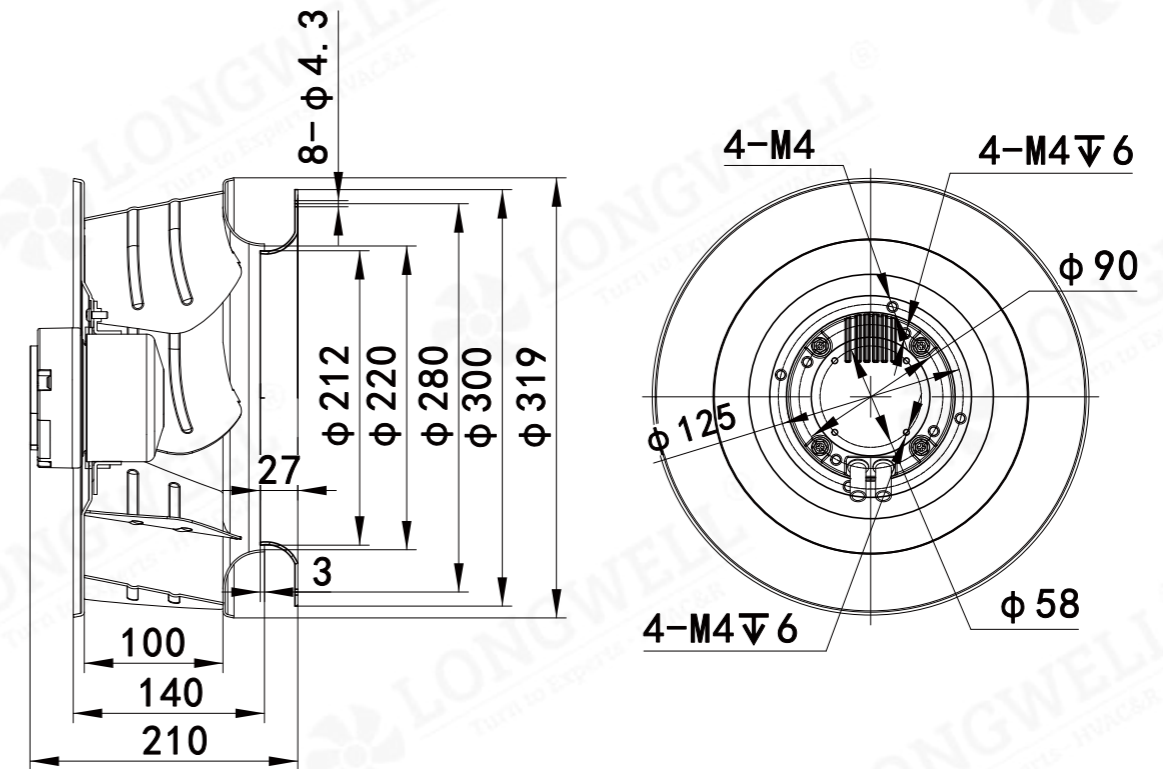


## Technical Specifications

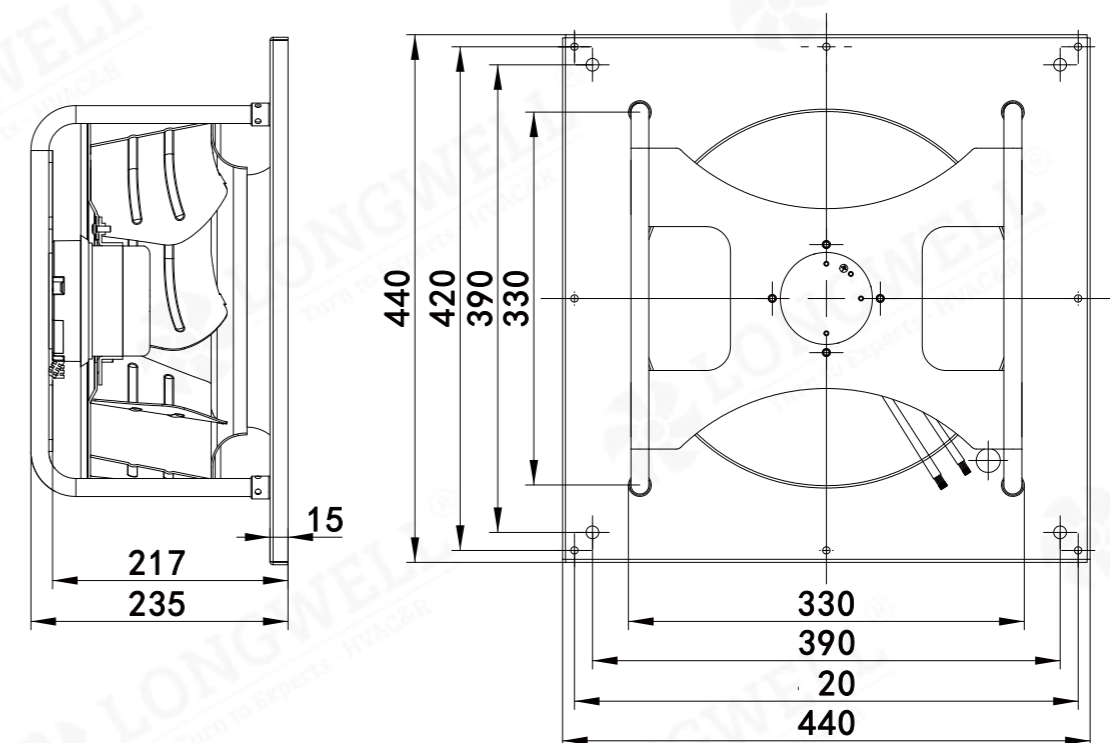
Model	Voltage (V)	Input Power (W)	Current (A)	Air Volume (m³/h)	Static Pressure (Pa)	Speed (RPM)	Noise [dB(A)]
LWBE3G310-092PS-12	230	150	1.2	2410	443	1750	75



### LWBE3G310-092NS-17 (without bracket)



### LWBE3G310-092PS-12 (with bracket)



# LWBE-310 Serie

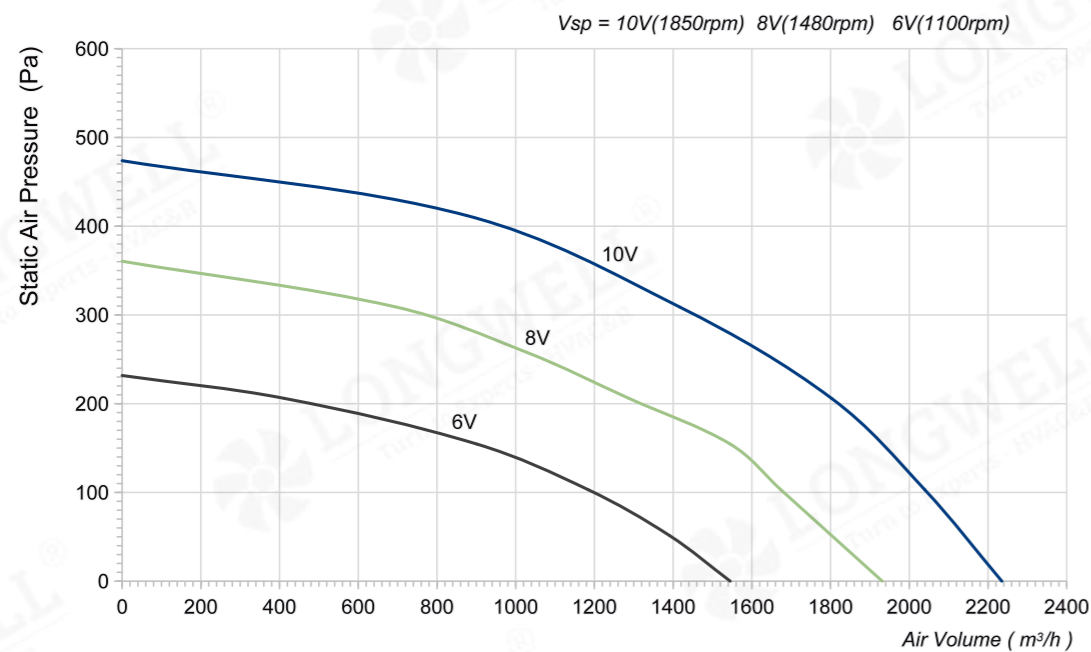
## Product Characteristic

- Impeller Material: Aluminum Alloy
- Supply Voltage: 230V/115V,50/60Hz
- Mode of Operation: S1
- Protection Class: IP44
- Insulation Class: F
- Operation Temperature: -25 C ~+60 C
- Technical Feature: Control input 0-10VDC/PWM, Tach output, Locked-Rotor protection, Reverse Polarity Over-voltage protection, Soft Start Protection.

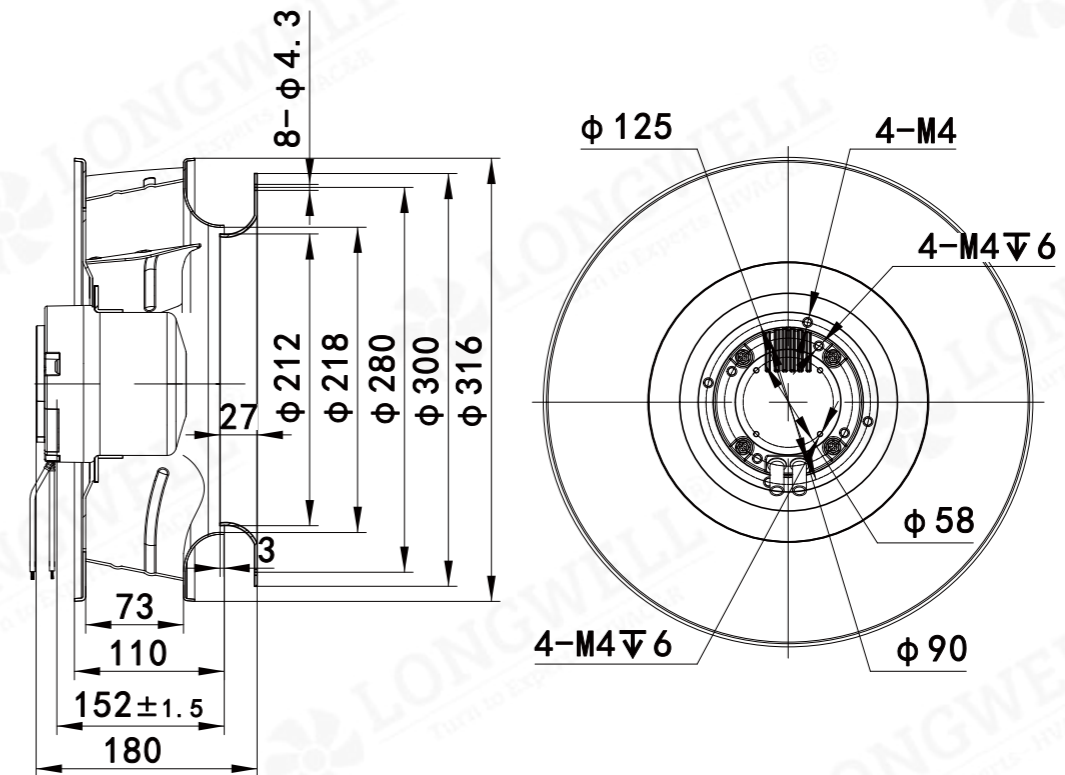


## Technical Specifications

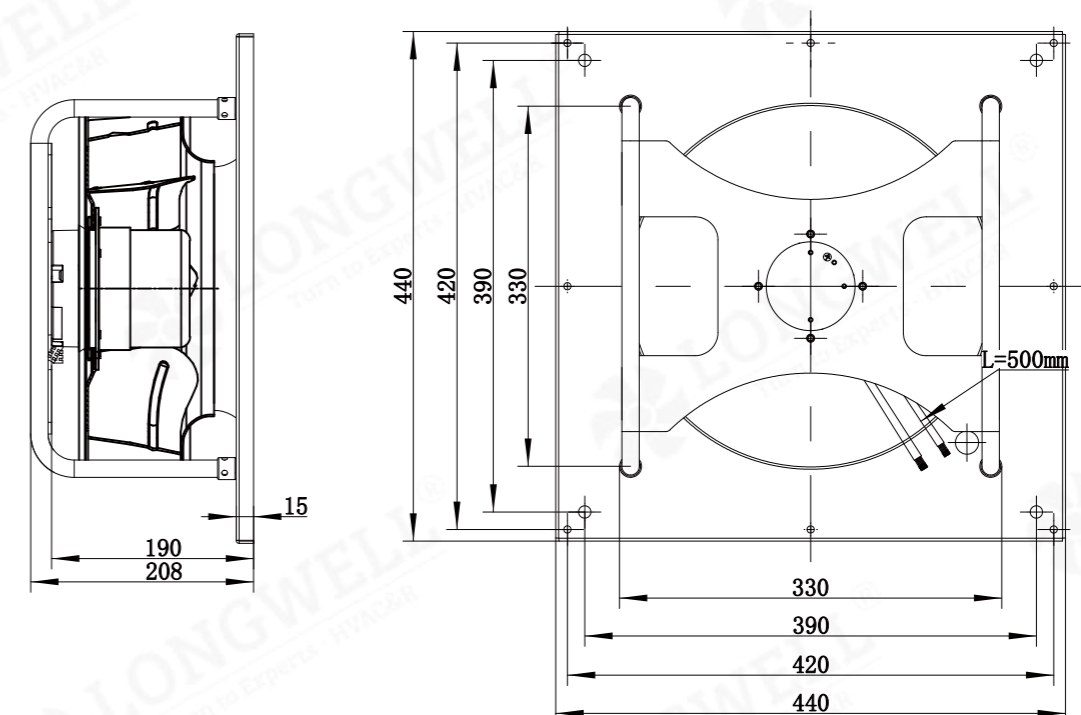
Model	Voltage (V)	Input Power (W)	Current (A)	Air Volume (m³/h)	Static Pressure (Pa)	Speed (RPM)	Noise [dB(A)]
LWBE3G310-092PS-11	230	160	1.25	2235	474	1850	75



### LWBE3G310-92NS-20 (without bracket)



### LWBE3G310-92PS-11 (with bracket)



# LWBE-310 Serie

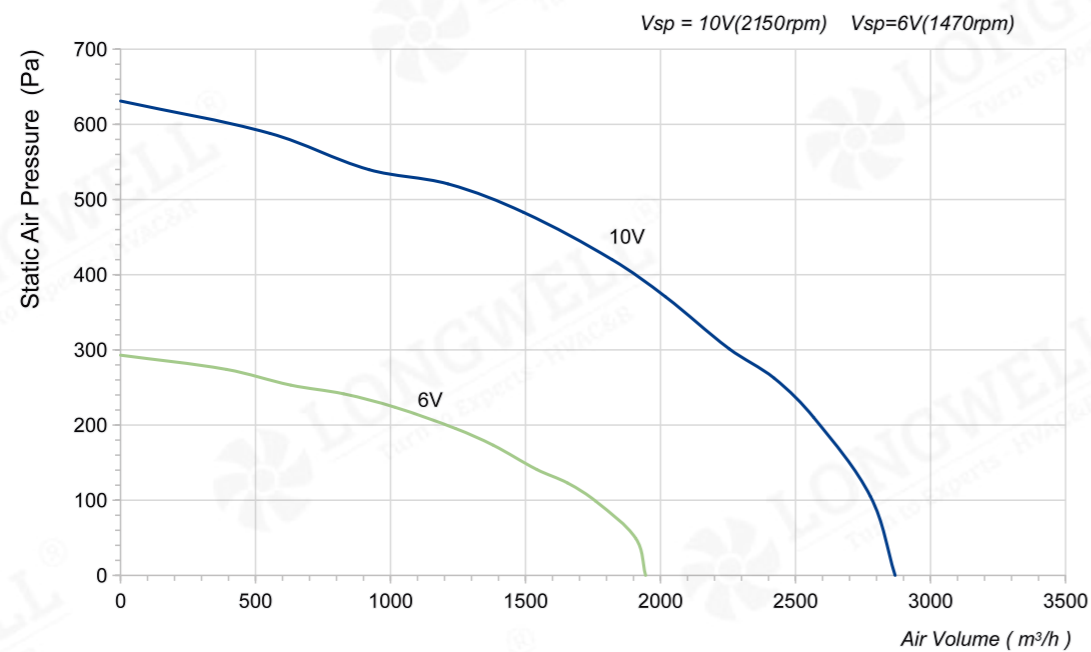
## Product Characteristic

- Impeller Material: Aluminum Alloy
- Supply Voltage: 230V/115V,50/60Hz
- Mode of Operation: S1
- Protection Class: IP54
- Insulation Class: F
- Operation Temperature: -25 C ~+60 C
- Technical Feature: Control input 0-10VDC/PWM, Tach output, Locked-Rotor protection, Reverse Polarity Over-voltage protection, Soft Start Protection.

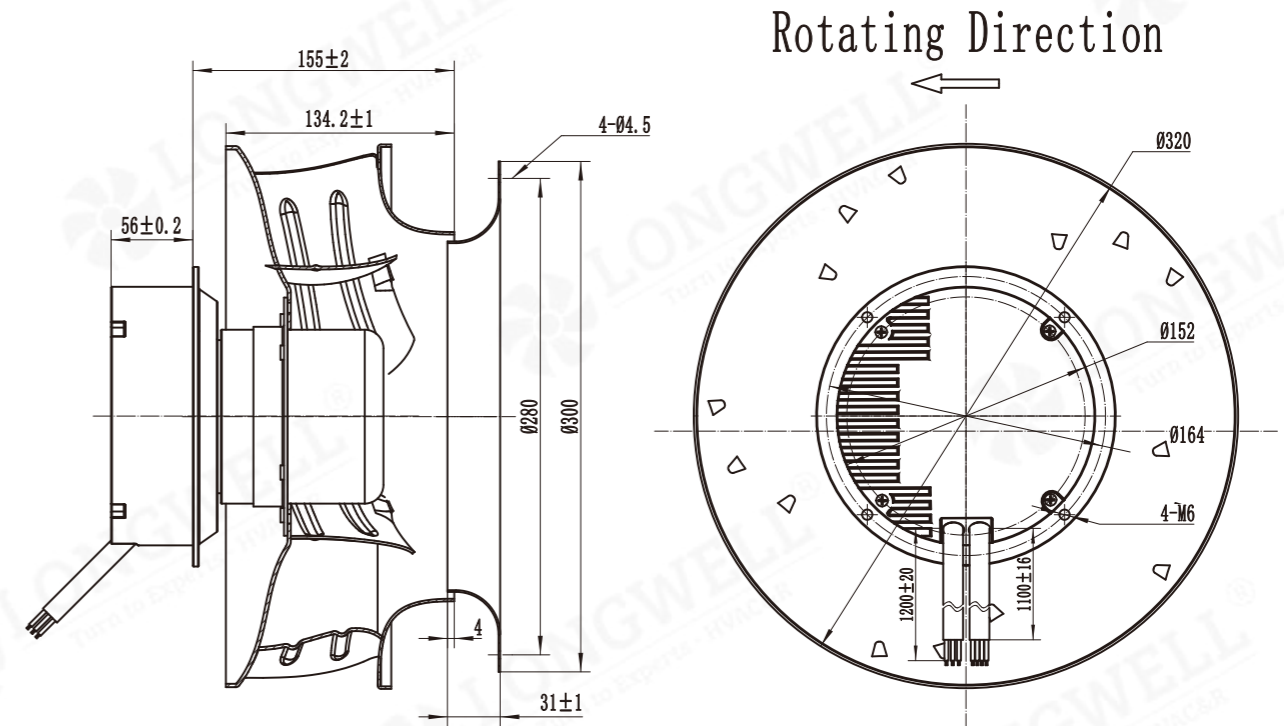


## Technical Specifications

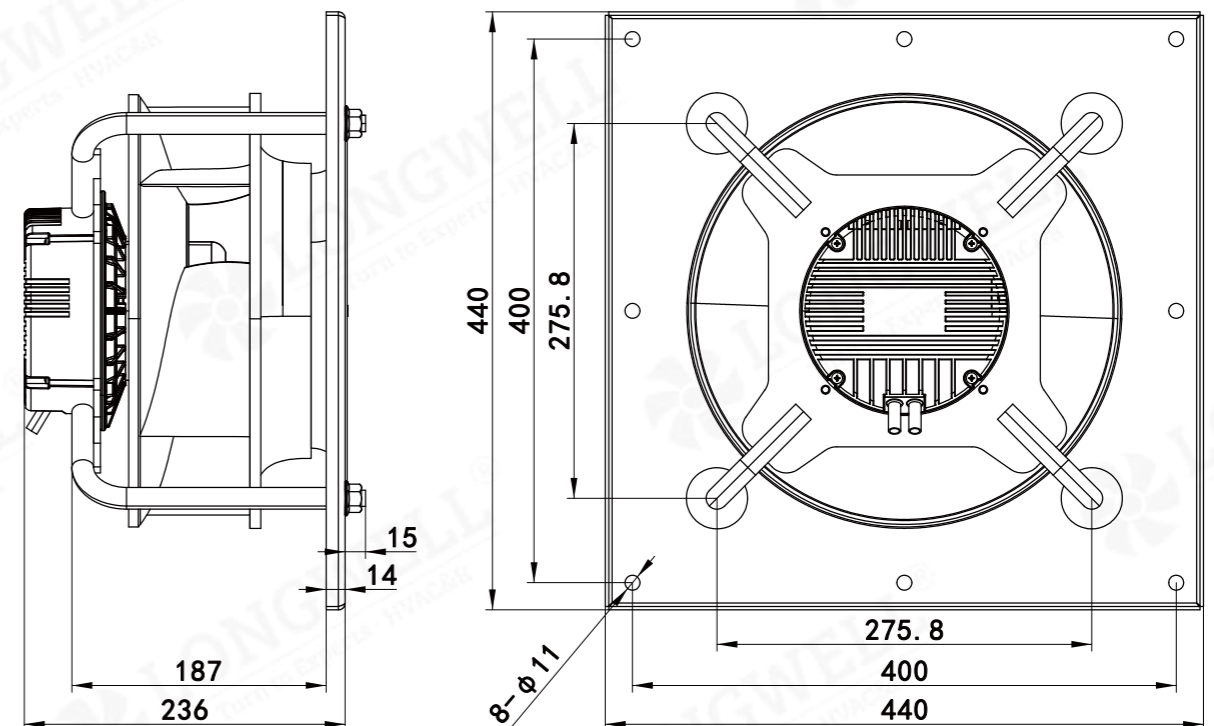
Model	Voltage (V)	Input Power (W)	Current (A)	Air Volume (m³/h)	Static Pressure (Pa)	Speed (RPM)	Noise [dB(A)]
LWBE3G310-102PS-02	230	285	1.57	2869	630	2150	70



## LWBE3G310-102NS-16 (without bracket)



## LWBE3G310-102PS-02 (with bracket)



# LWBE-310 Serie

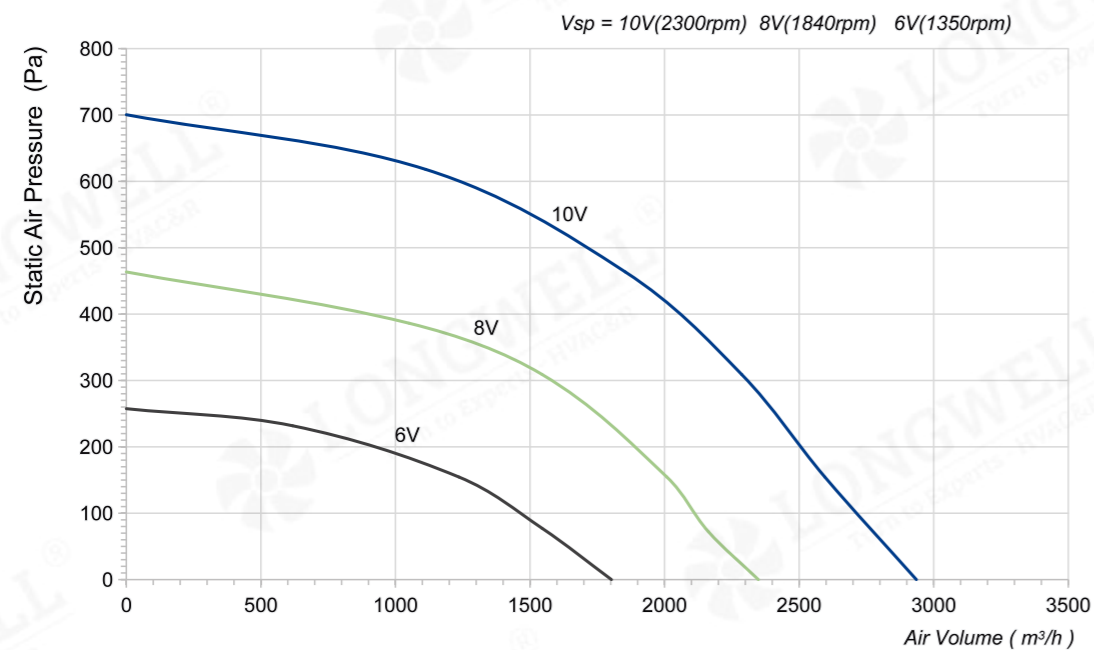
## Product Characteristic

- Impeller Material: Aluminum Alloy
- Supply Voltage: 230V/115V,50/60Hz
- Mode of Operation: S1
- Protection Class: IP54
- Insulation Class: F
- Operation Temperature: -25 C ~ +60 C
- Technical Feature: Control input 0-10VDC/PWM, Tach output, Locked-Rotor protection, Reverse Polarity Over-voltage protection, Soft Start Protection.

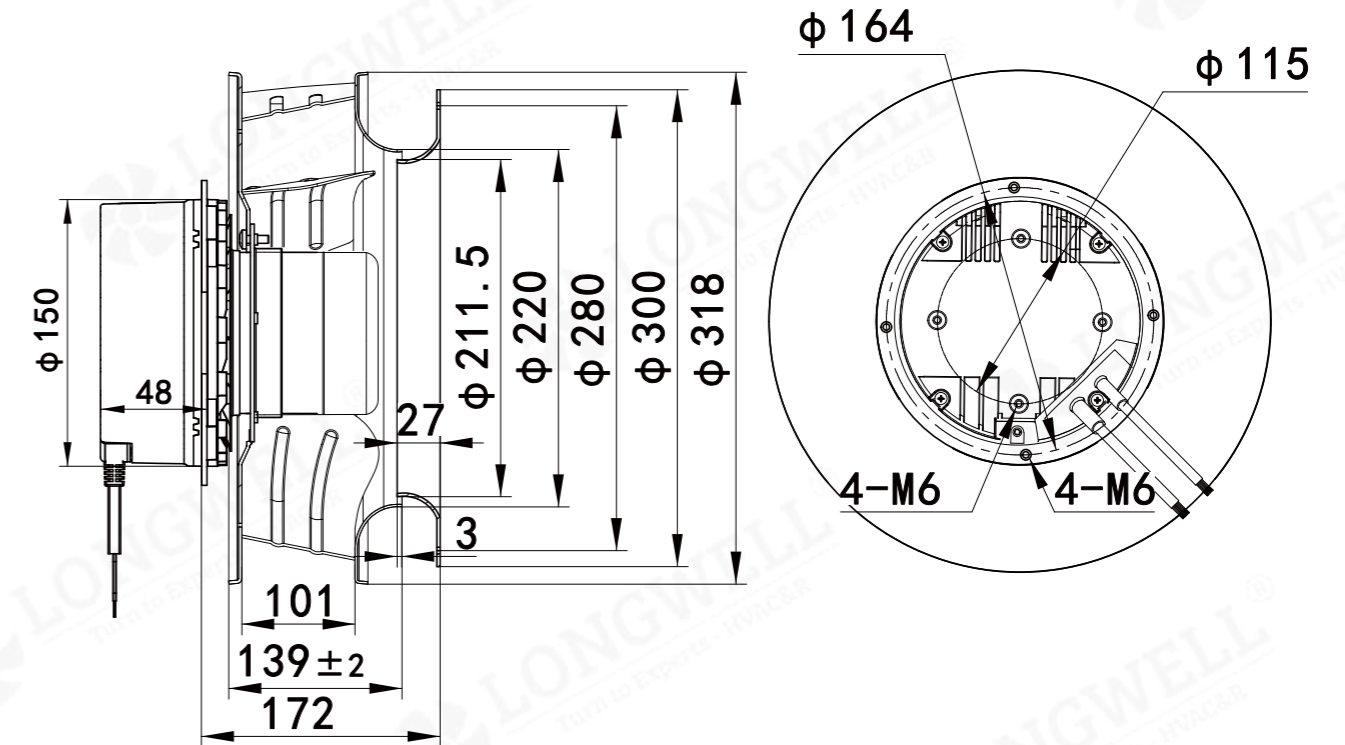


## Technical Specifications

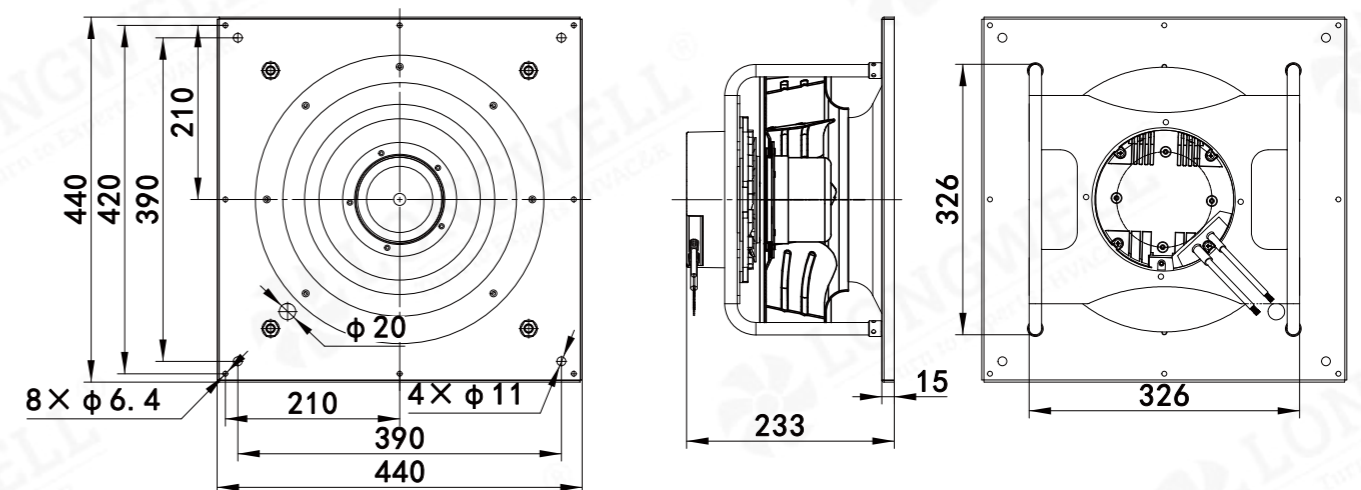
Model	Voltage (V)	Input Power (W)	Current (A)	Air Volume (m³/h)	Static Pressure (Pa)	Speed (RPM)	Noise [dB(A)]
LWBE3G310-102PS-15	230	370	2.6	2936	700	2300	76



### LWBE3G310-102NS-19 (without bracket)



### LWBE3G310-102PS-15 (with bracket)



# LWBE-310 Serie

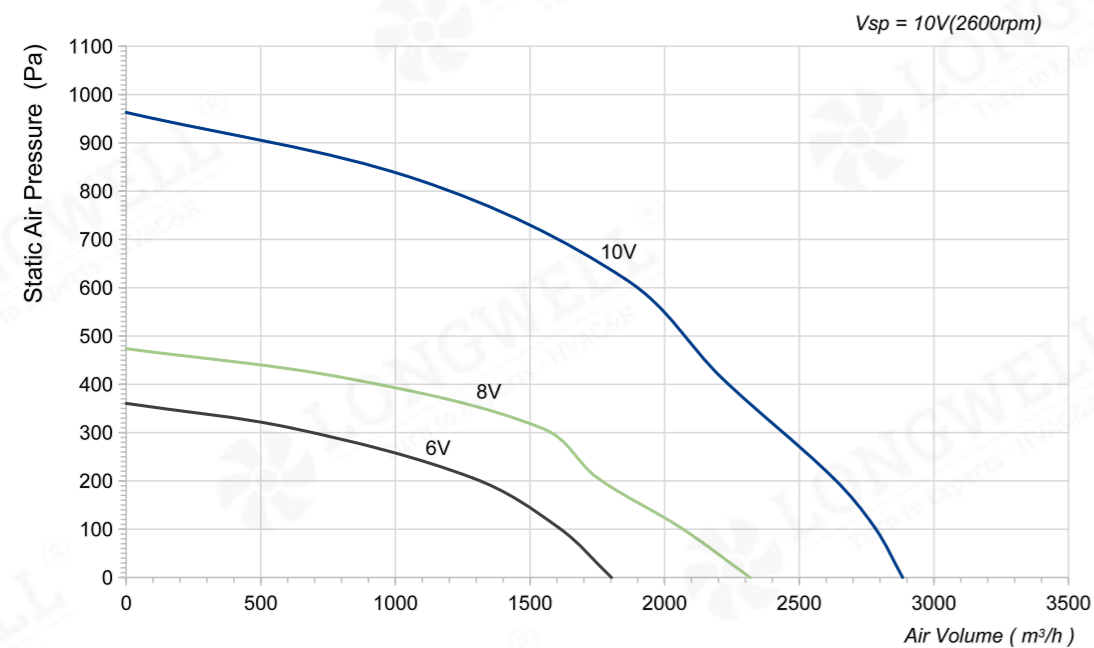
## Product Characteristic

- Impeller Material: Aluminum Alloy
- Supply Voltage: 230V/115V,50/60Hz
- Mode of Operation: S1
- Protection Class: IP44
- Insulation Class: F
- Operation Temperature: -25 C ~+60 C
- Technical Feature: Control input 0-10VDC/PWM, Tach output, Locked-Rotor protection, Reverse Polarity Over-voltage protection, Soft Start Protection.

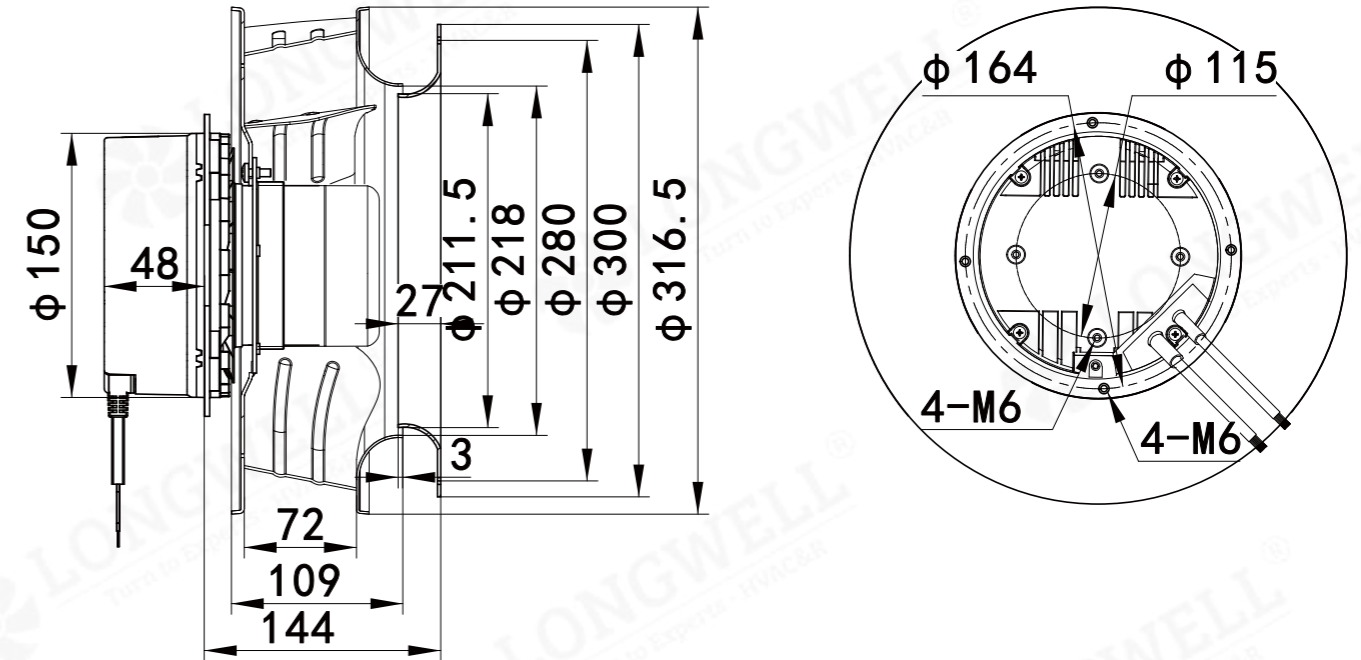


## Technical Specifications

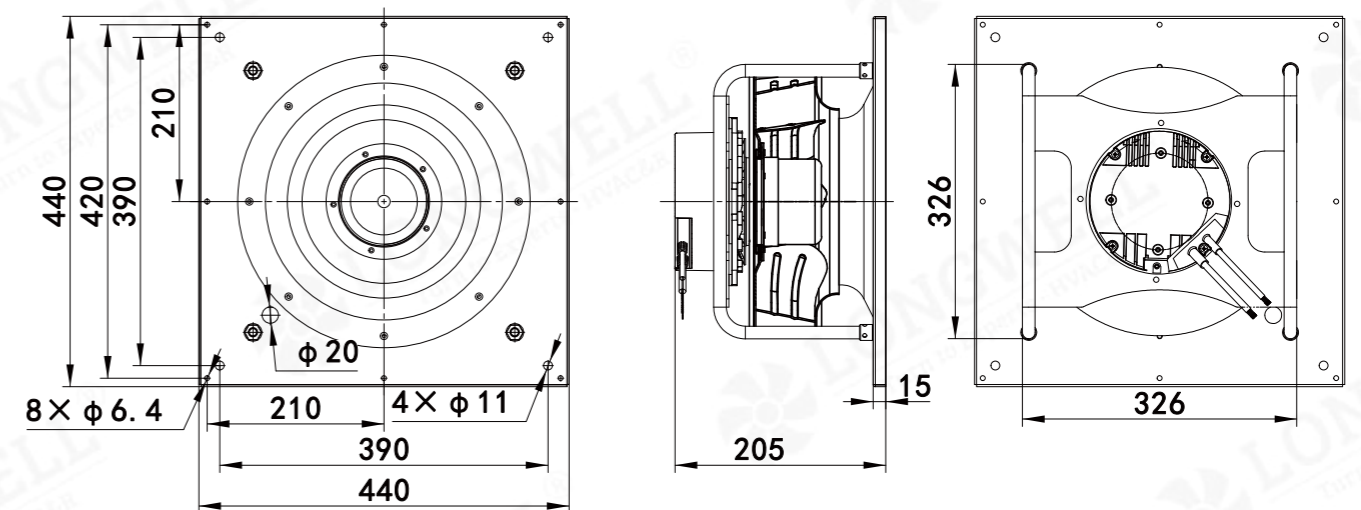
Model	Voltage (V)	Input Power (W)	Current (A)	Air Volume (m³/h)	Static Pressure (Pa)	Speed (RPM)	Noise [dB(A)]
LWBE3G310-102PS-16	230	450	3	2884	963	2600	78



### LWBE3G310-102NS-18 (without bracket)



### LWBE3G310-102PS-16 (with bracket)



# LWBE-310 Serie



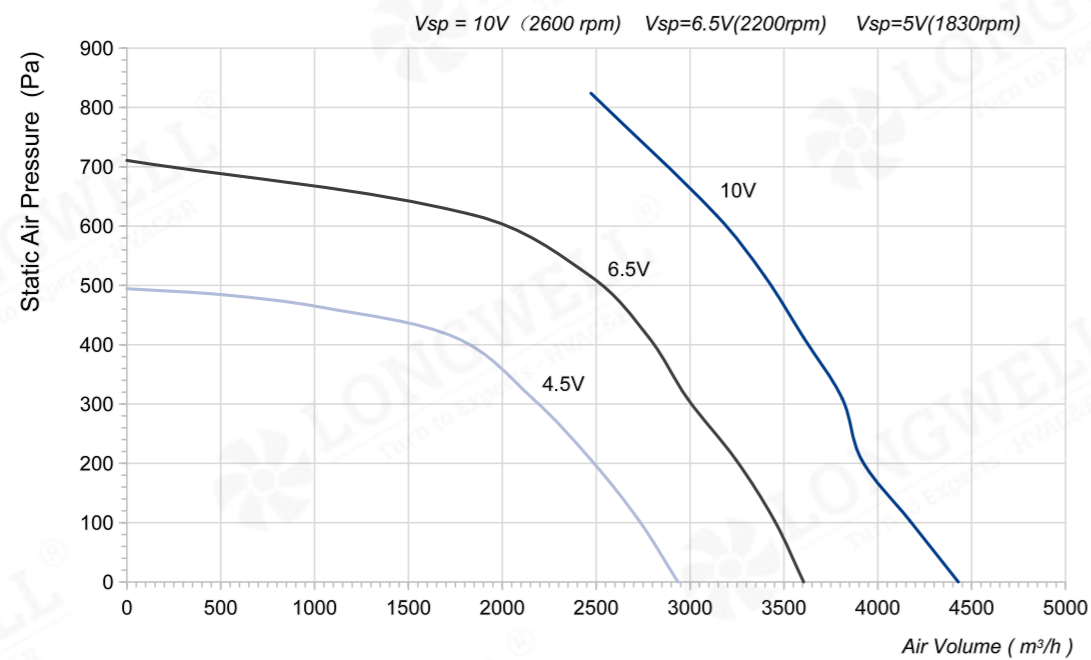
## Product Characteristic

- Impeller Material: Aluminum Alloy
- Supply Voltage: 400V,50/60Hz
- Mode of Operation: S1
- Protection Class: IP44
- Insulation Class: F
- Operation Temperature: -25 C ~+60 C
- Technical Feature: Control input 0-10VDC/PWM, Tach output, Locked-Rotor protection, Reverse Polarity Over-voltage protection, Soft Start Protection.

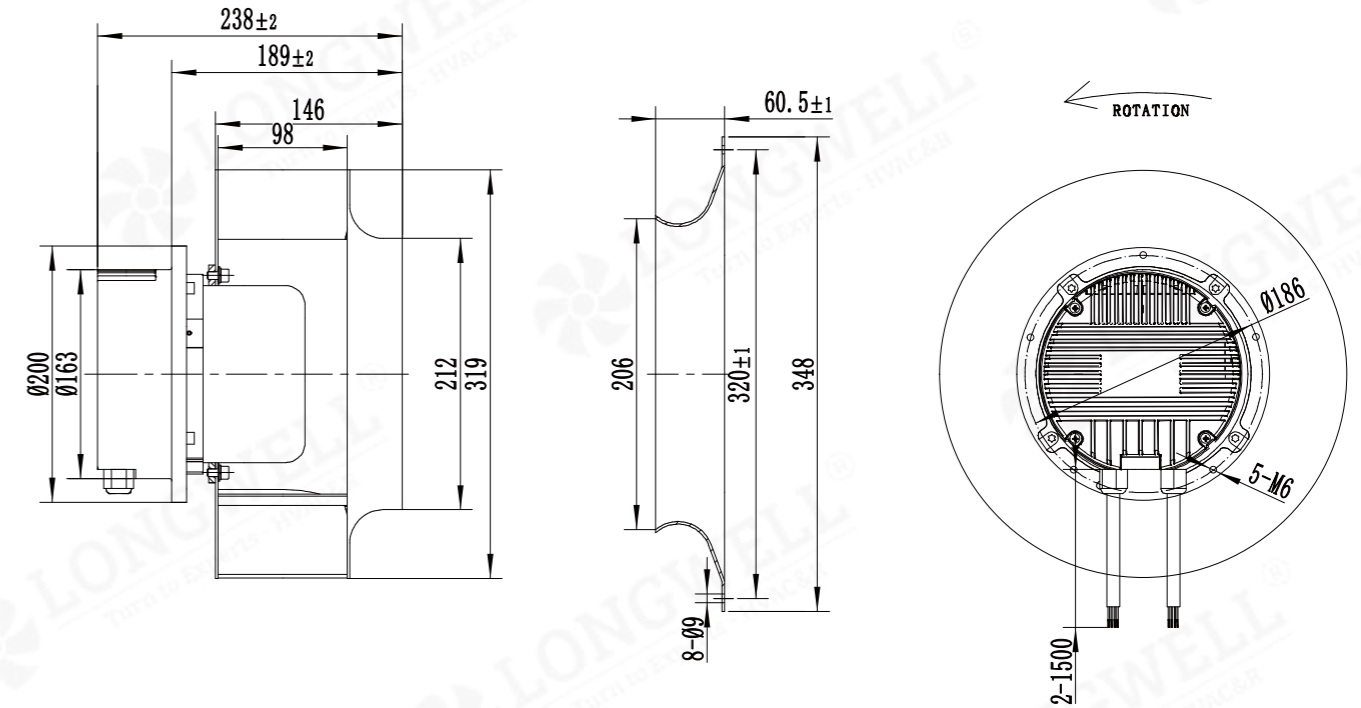


## Technical Specifications

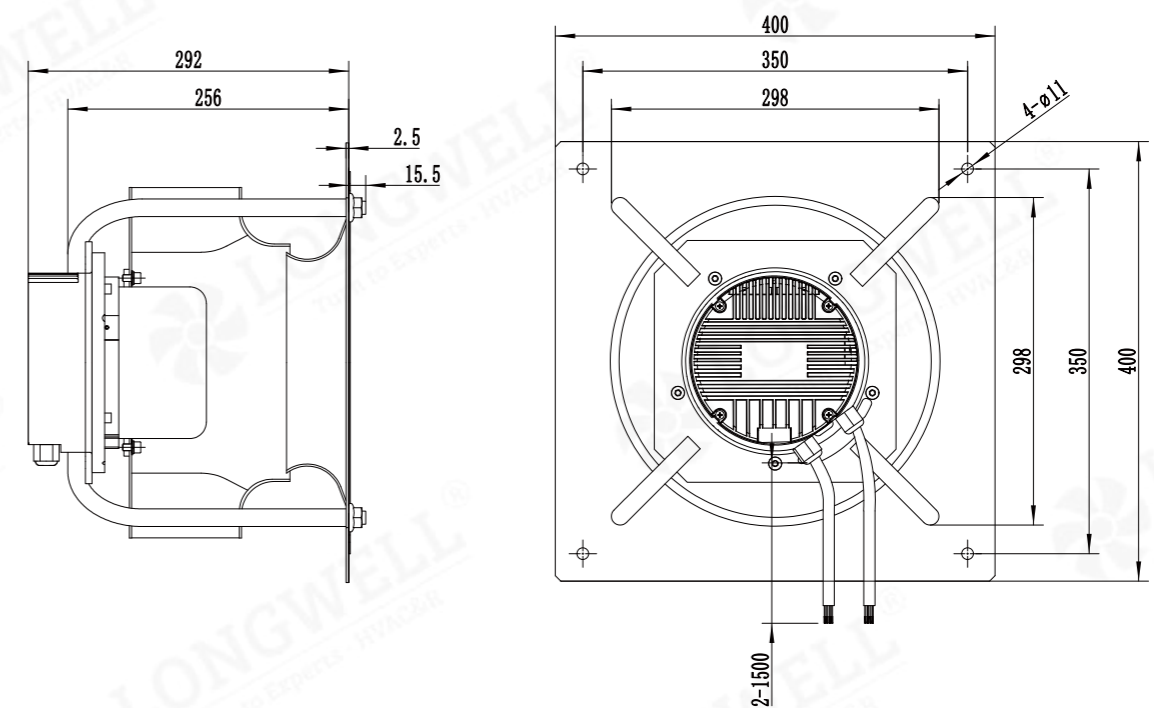
Model	Voltage (V)	Input Power (W)	Current (A)	Air Volume (m³/h)	Static Pressure (Pa)	Speed (RPM)	Noise [dB(A)]
LWBE3G310-138PT-04	400	980	1.64	4398	824	2600	74



## LWBE3G310-138NT-05 (without bracket)



## LWBE3G310-138PT-04 (with bracket)



# LWBE-310 Serie



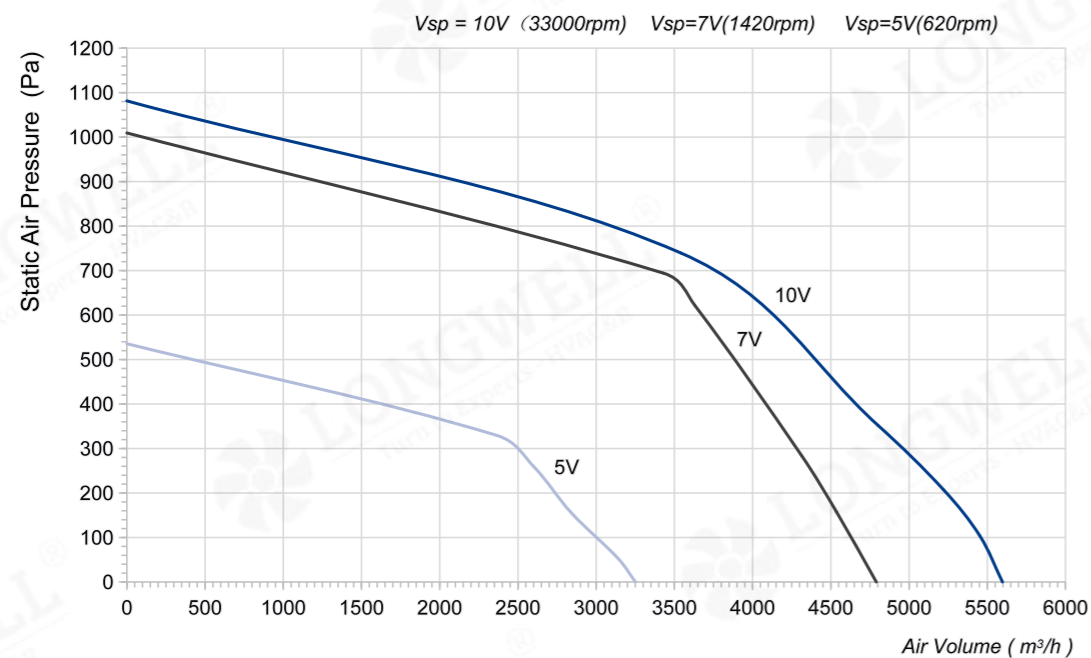
## Product Characteristic

- Impeller Material: Aluminum Alloy
- Supply Voltage: 400V,50/60Hz
- Mode of Operation: S1
- Protection Class: IP44
- Insulation Class: F
- Operation Temperature: -25 C ~+60 C
- Technical Feature: Control input 0-10VDC/PWM, Tach output, Locked-Rotor protection, Reverse Polarity Over-voltage protection, Soft Start Protection.

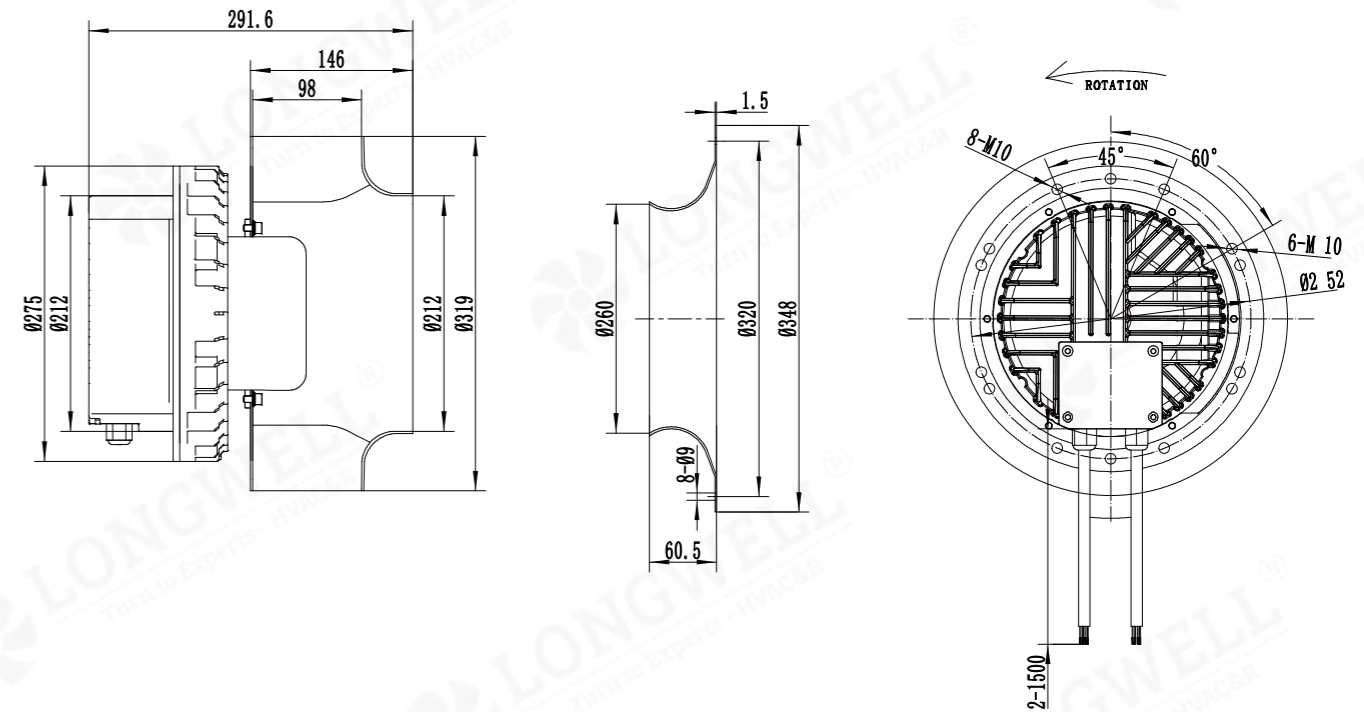


## Technical Specifications

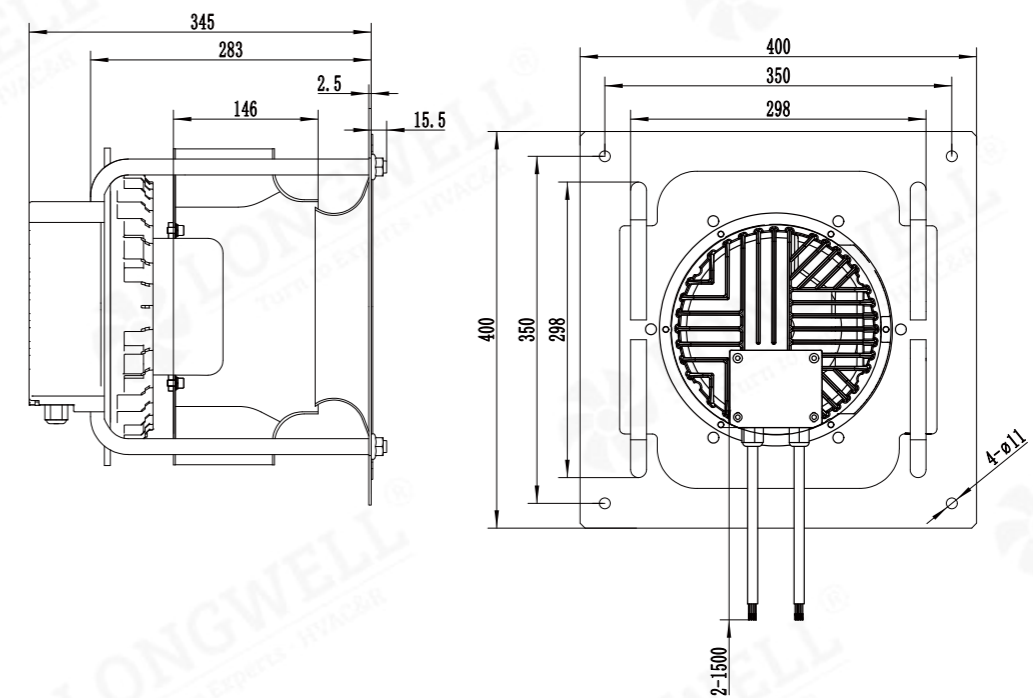
Model	Voltage (V)	Input Power (W)	Current (A)	Air Volume (m³/h)	Static Pressure (Pa)	Speed (RPM)	Noise [dB(A)]
LWBE3G310-138PT-10	400	1588	2.4	5593	1082	3300	92



## LWBE3G310-138NT-25 (without bracket)



## LWBE3G310-138PT-10 (with bracket)



# LWBE-355 Serie



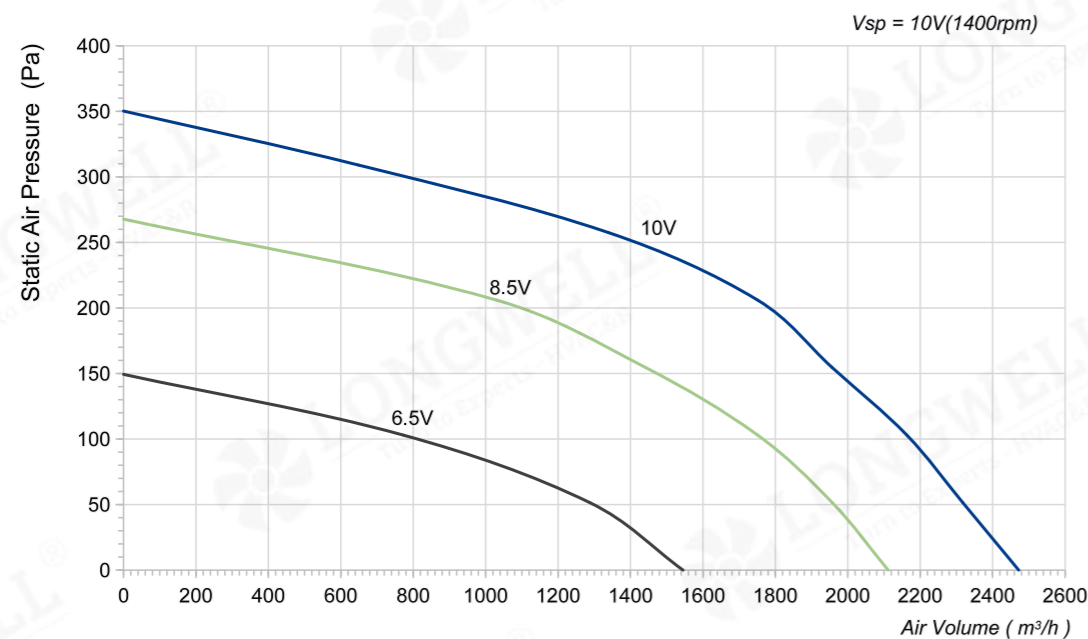
## Product Characteristic

- Impeller Material: Aluminum Alloy
- Supply Voltage: 230V/115V,50/60Hz
- Mode of Operation: S1
- Protection Class: IP44
- Insulation Class: B
- Operation Temperature: -25 C ~ +60 C
- Technical Feature: Control input 0-10VDC/PWM, Tach output, Locked-Rotor protection, Reverse Polarity Over-voltage protection, Soft Start Protection.

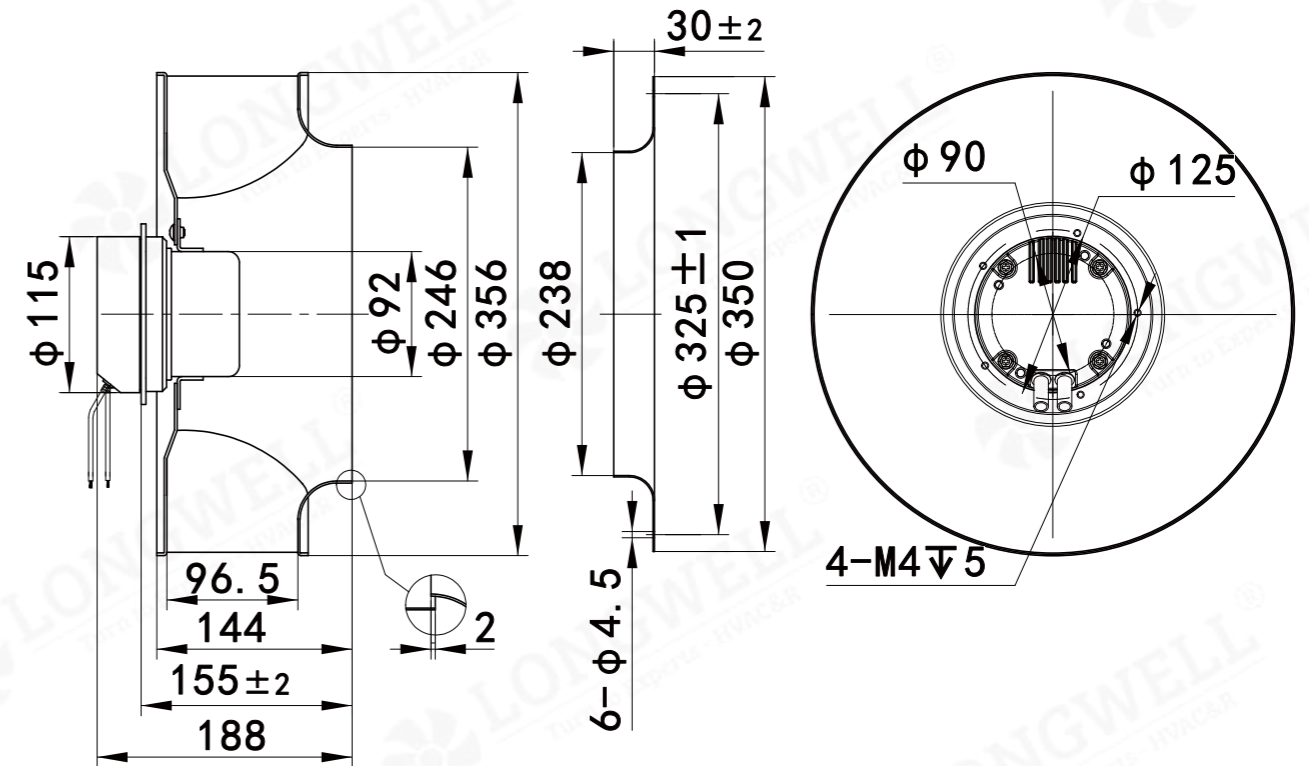


## Technical Specifications

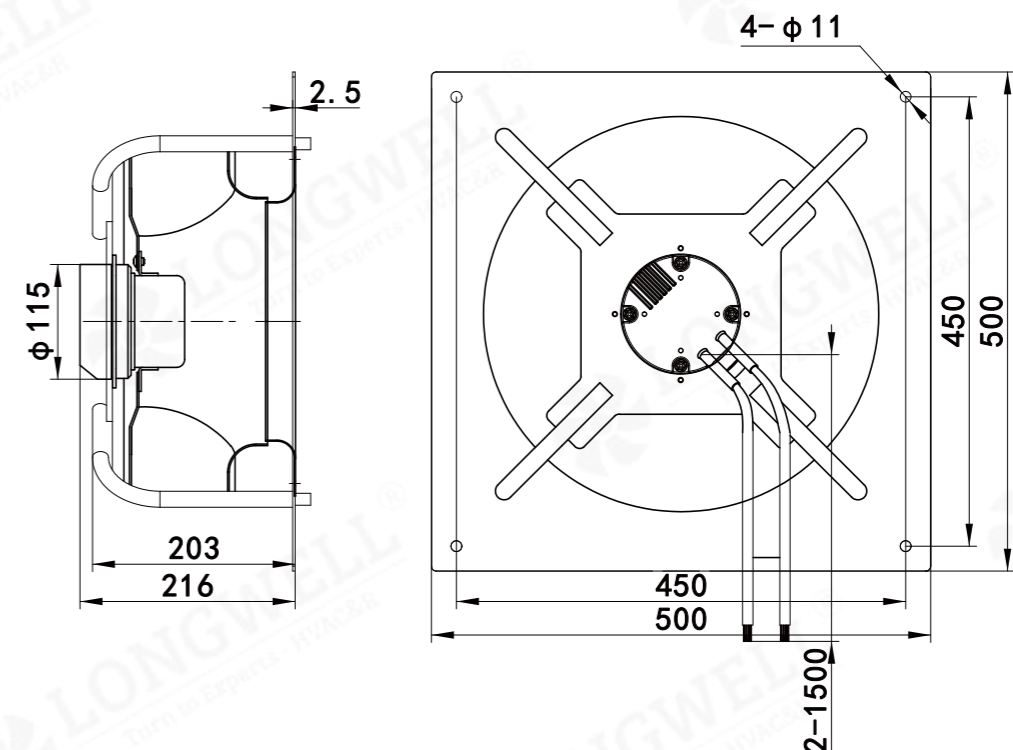
Model	Voltage (V)	Input Power (W)	Current (A)	Air Volume (m³/h)	Static Pressure (Pa)	Speed (RPM)	Noise [dB(A)]
LWBE3G355-092PS-15	230	120	0.9	2472	350	1400	68



## LWBE3G355-092NS-19 (without bracket)



## LWBE3G355-092PS-15 (with bracket)



# LWBE-355 Serise



## Product Characteristic

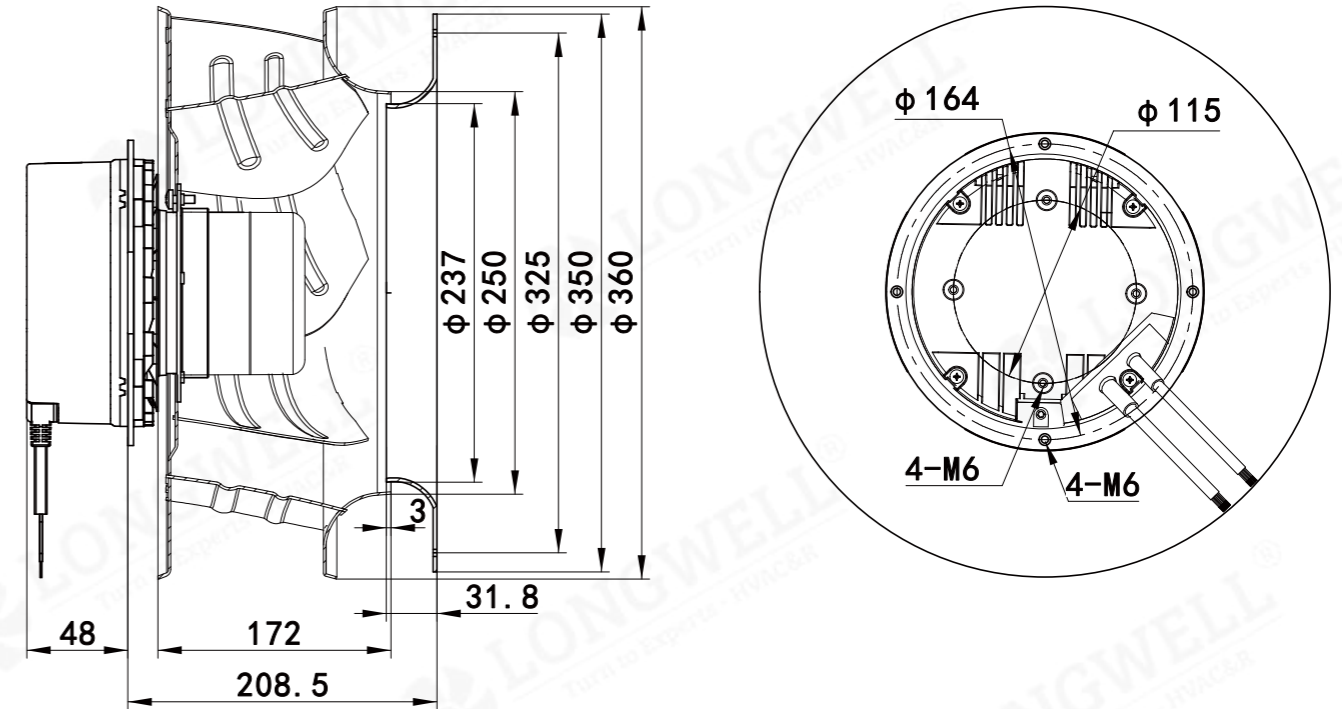
- Impeller Material: Aluminum Alloy
- Supply Voltage: 230V/115V,50/60Hz
- Mode of Operation: S1
- Protection Class: IP44
- Insulation Class: F
- Operation Temperature: -25 C ~+60 C
- Technical Feature: Control input 0-10VDC/PWM, Tach output, Locked-Rotor protection, Reverse Polarity Over-voltage protection, Soft Start Protection.



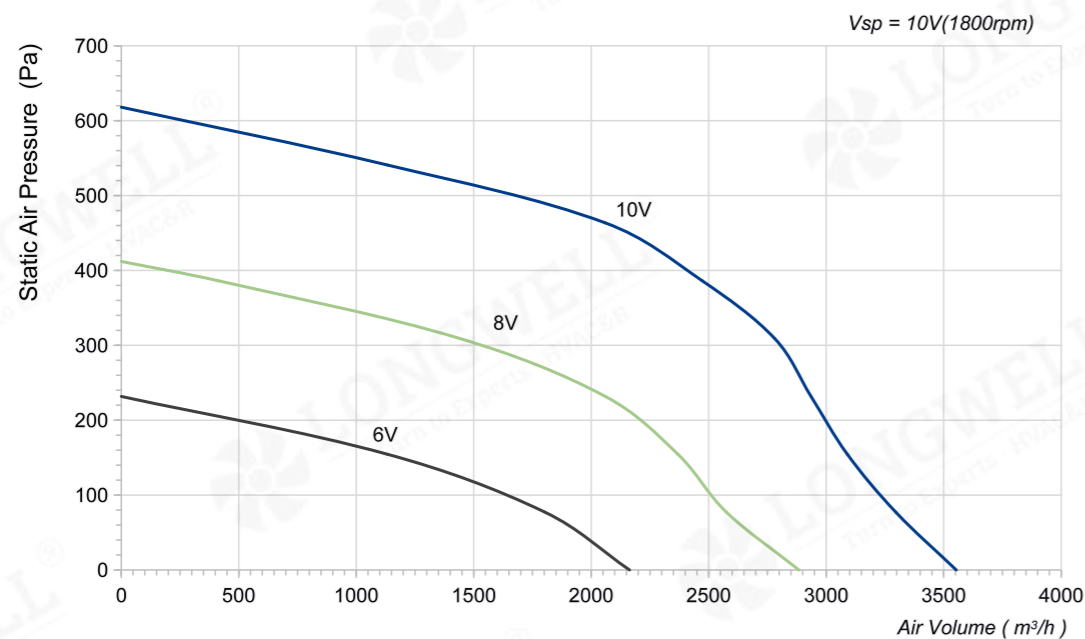
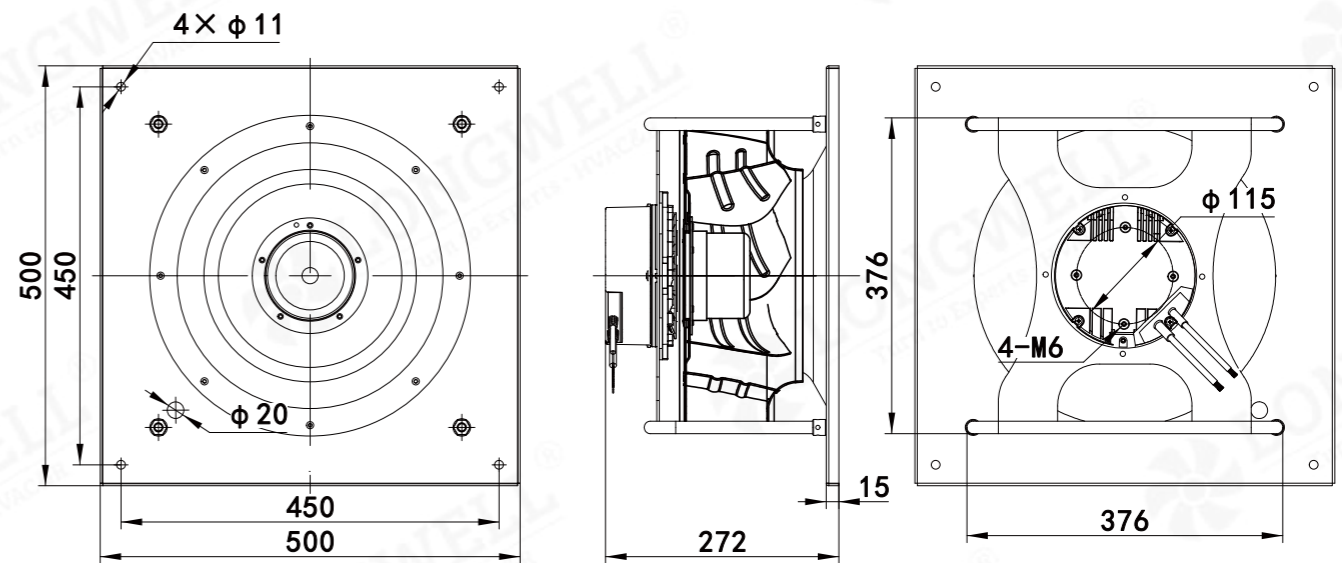
## Technical Specifications

Model	Voltage (V)	Input Power (W)	Current (A)	Air Volume (m³/h)	Static Pressure (Pa)	Speed (RPM)	Noise [dB(A)]
LWBE3G355-102PS-16	230	285	2	3554	618	1800	76

### LWBE3G355-102NS-20 (without bracket)



### LWBE3G355-102PS-16 (with bracket)



# LWBE-355 Serie



## Product Characteristic

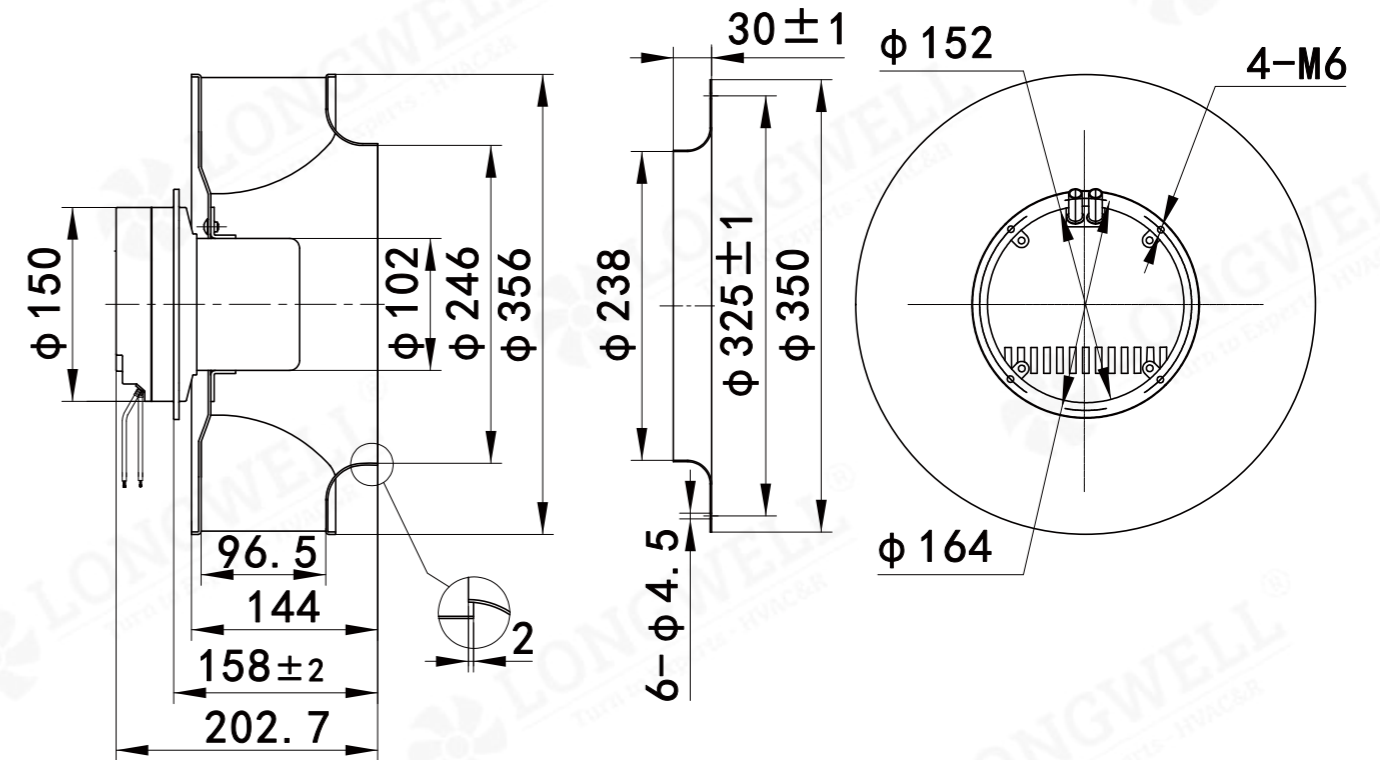
- Impeller Material: Aluminum Alloy
- Supply Voltage: 230V/115V,50/60Hz
- Mode of Operation: S1
- Protection Class: IP54
- Insulation Class: B
- Operation Temperature: -25 C ~ +60 C
- Technical Feature: Control input 0-10VDC/PWM, Tach output, Locked-Rotor protection, Reverse Polarity Over-voltage protection, Soft Start Protection.



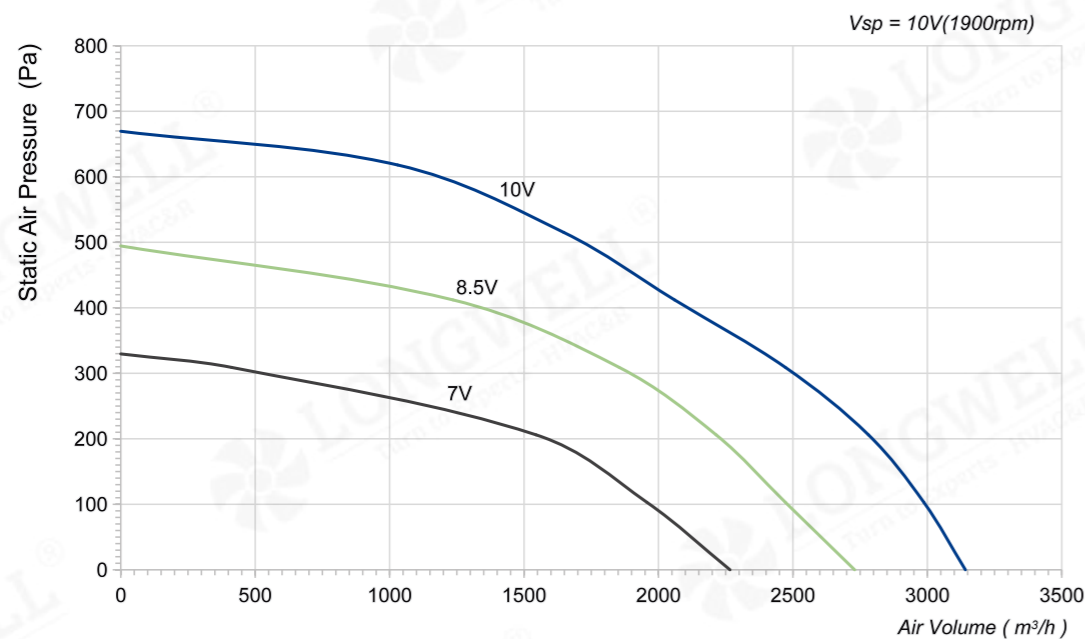
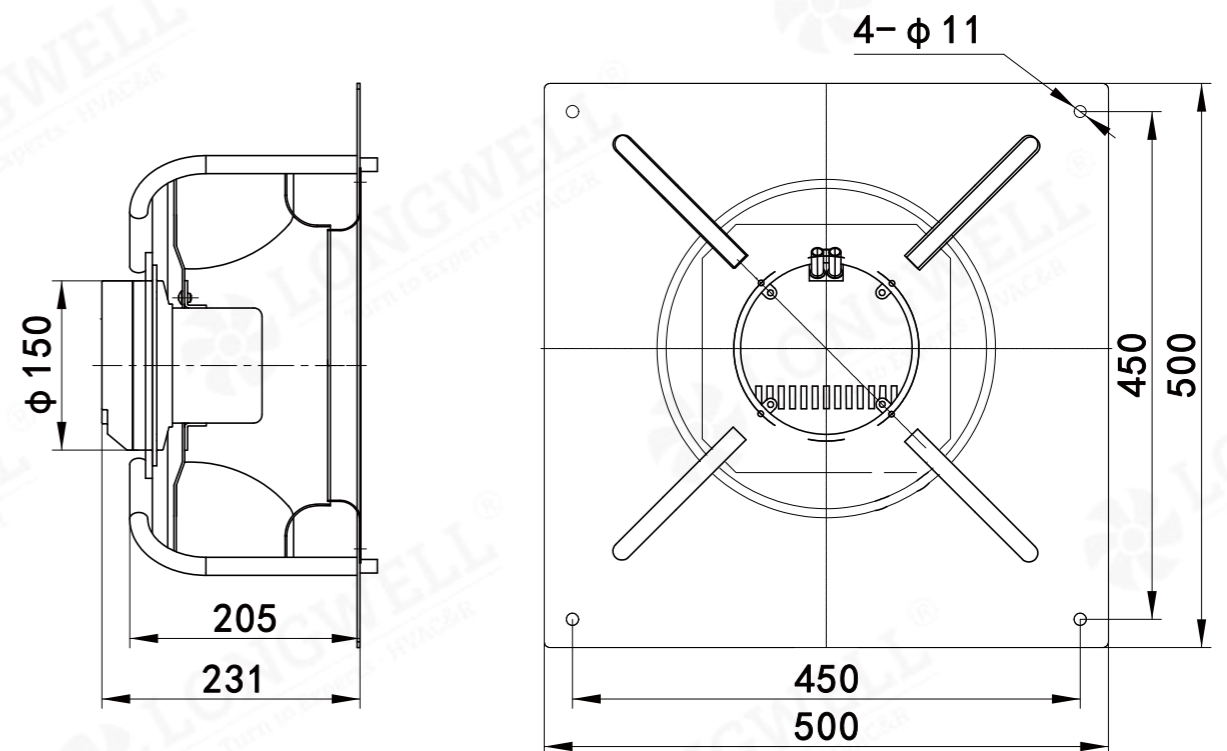
## Technical Specifications

Model	Voltage (V)	Input Power (W)	Current (A)	Air Volume (m³/h)	Static Pressure (Pa)	Speed (RPM)	Noise [dB(A)]
LWBE3G355-102PS-17	230	330	1.5	3142	670	1900	77

LWBE3G355-102NS-21 (without bracket)



LWBE3G355-102PS-17 (with bracket)



# LWBE-355 Serie



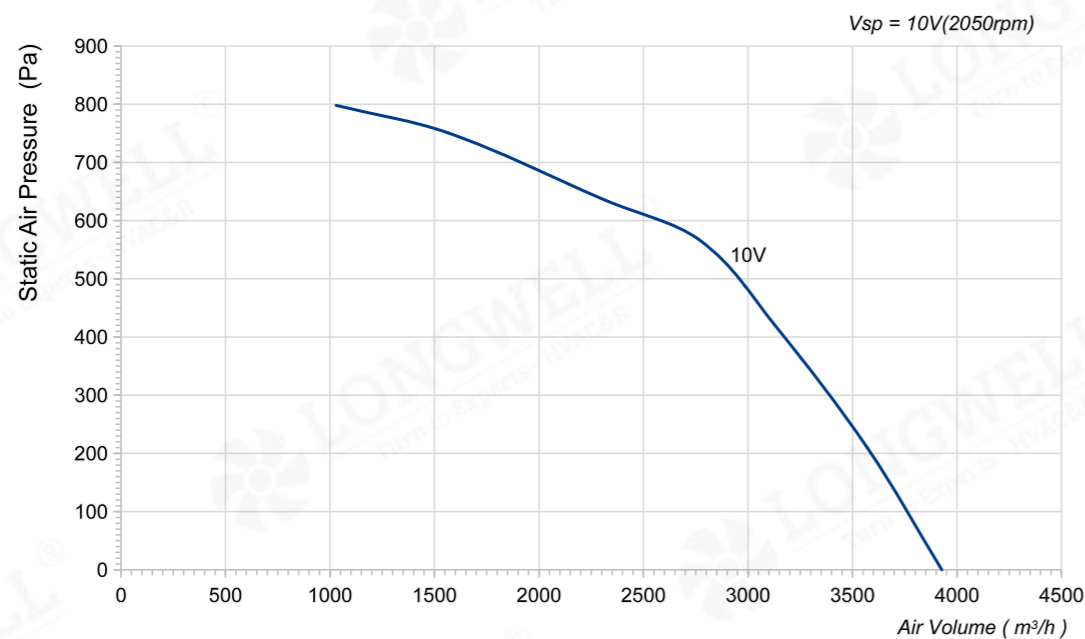
## Product Characteristic

- Impeller Material: Aluminum Alloy
- Supply Voltage: 230V/115V,50/60Hz
- Mode of Operation: S1
- Protection Class: IP54
- Insulation Class: F
- Operation Temperature: -25 C ~ +60 C
- Technical Feature: Control input 0-10VDC/PWM, Tach output, Locked-Rotor protection, Reverse Polarity Over-voltage protection, Soft Start Protection.

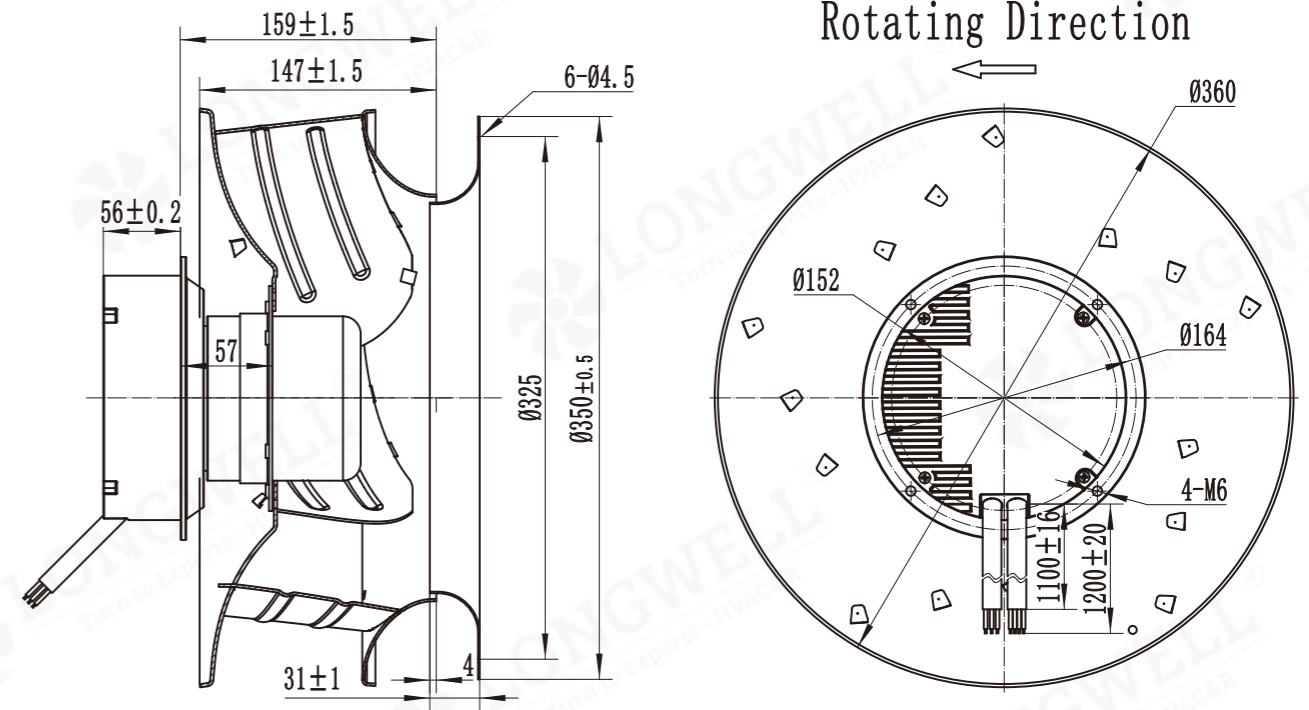


## Technical Specifications

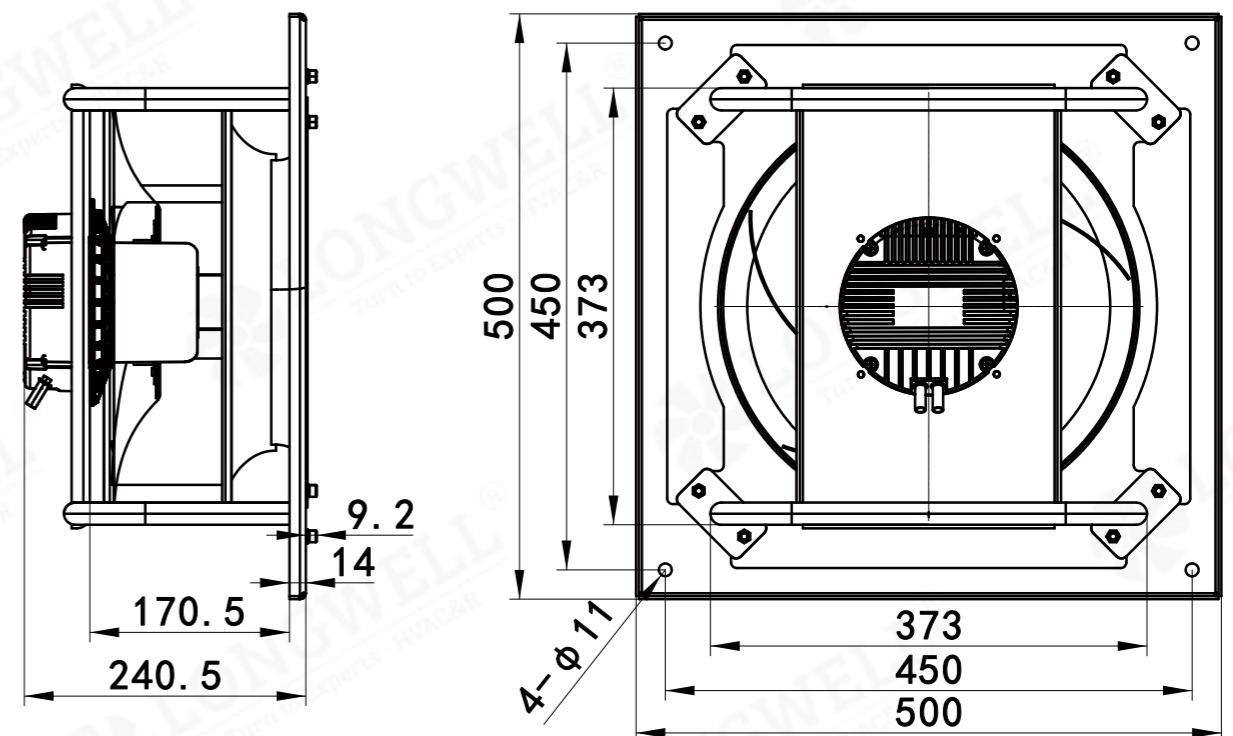
Model	Voltage (V)	Input Power (W)	Current (A)	Air Volume (m³/h)	Static Pressure (Pa)	Speed (RPM)	Noise [dB(A)]
LWBE3G355-102PS-18	230	423	5.3	3915	770	2050	/



## LWBE3G355-102NS-15 (without bracket)



## LWBE3G355-102PS-18 (with bracket)



# LWBE-355 Serie



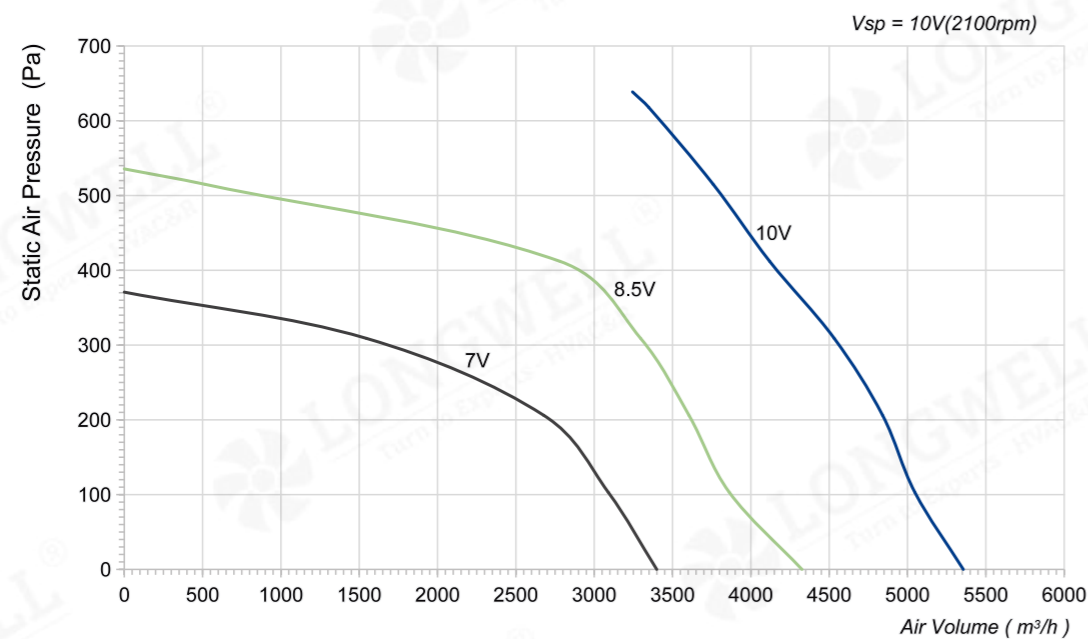
## Product Characteristic

- Impeller Material: Aluminum Alloy
- Supply Voltage: 400V,50/60Hz
- Mode of Operation: S1
- Protection Class: IP44
- Insulation Class: F
- Operation Temperature: -25 C ~+60 C
- Technical Feature: Control input 0-10VDC/PWM, Tach output, Locked-Rotor protection, Reverse Polarity Over-voltage protection, Soft Start Protection.

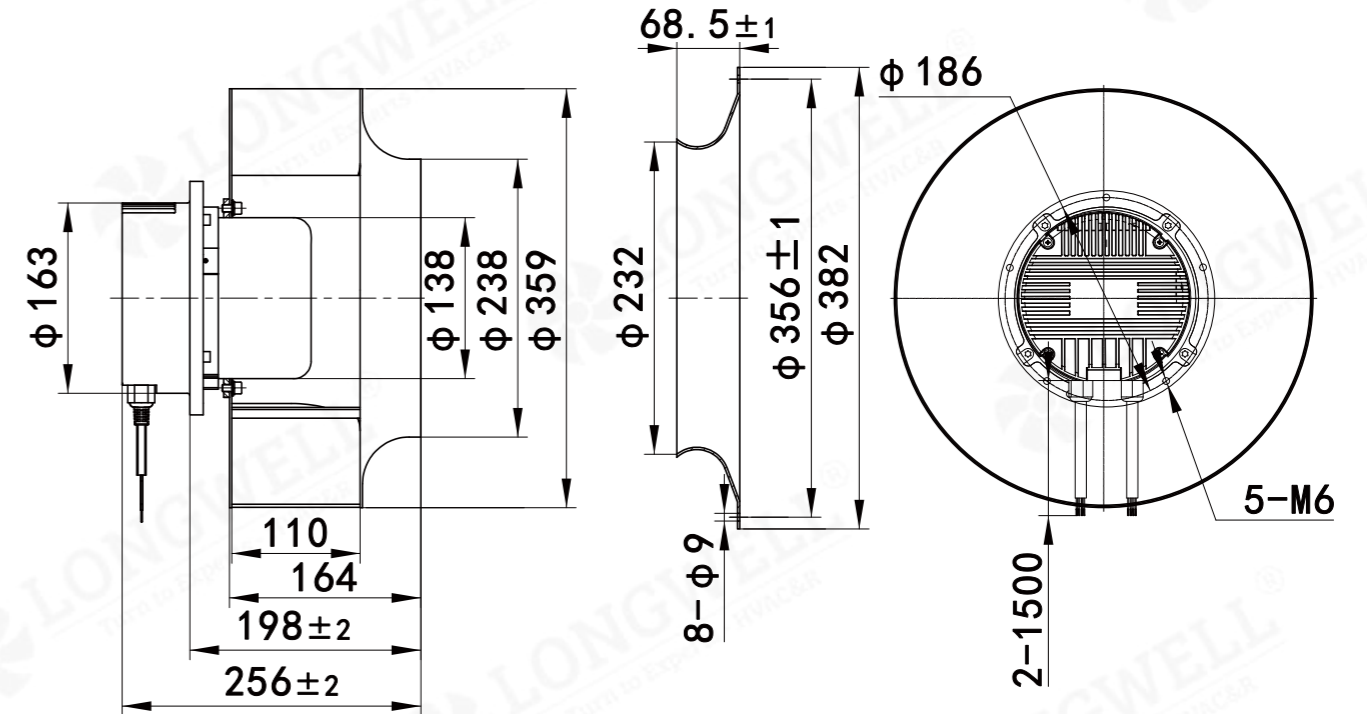


## Technical Specifications

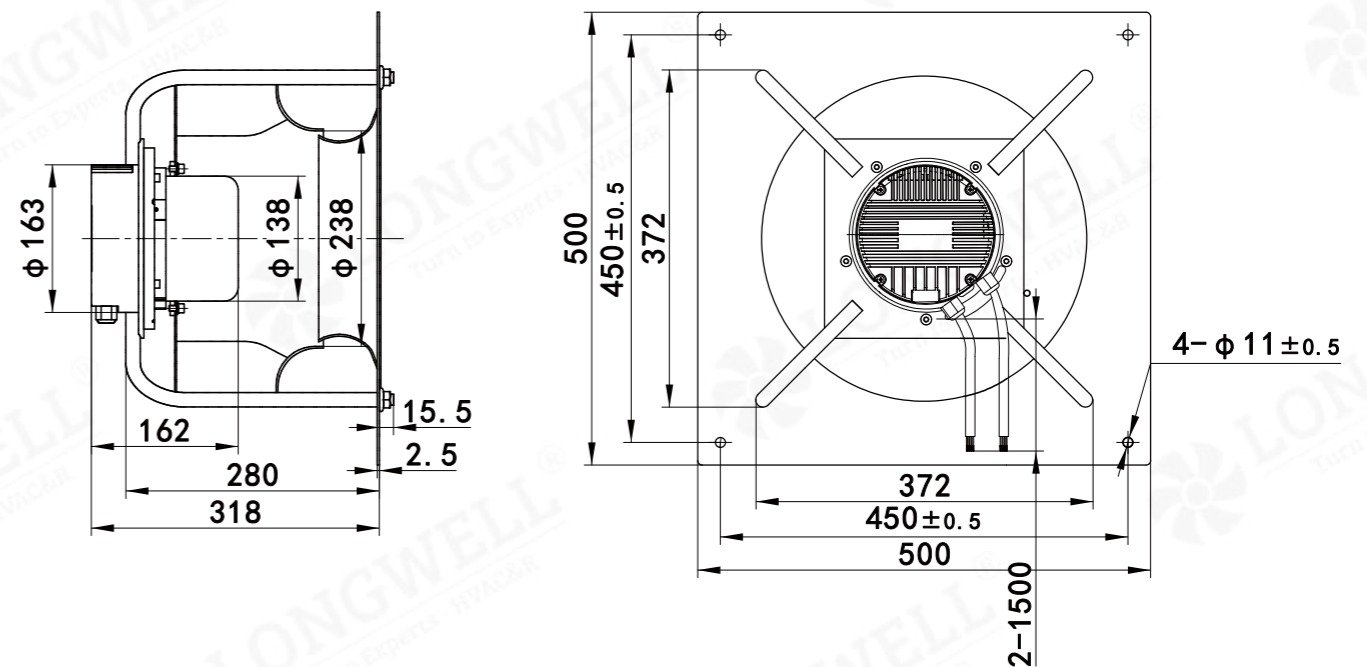
Model	Voltage (V)	Input Power (W)	Current (A)	Air Volume (m³/h)	Static Pressure (Pa)	Speed (RPM)	Noise [dB(A)]
LWBE3G355-138PT-20	400	990	1.63	5356	639	2100	79



### LWBE3G355-138NT-17 (without bracket)



### LWBE3G355-138PT-20 (with bracket)



# LWBE-355 Serie

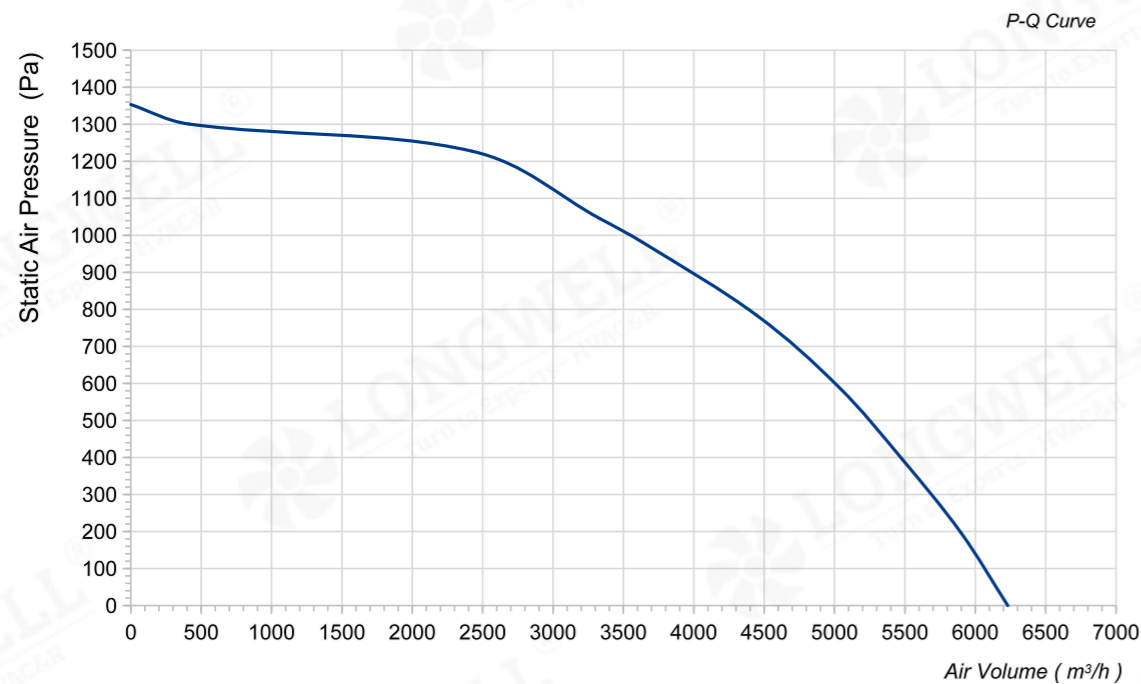
## Product Characteristic

- Impeller Material: Aluminum Alloy
- Supply Voltage: 400V,50/60Hz
- Mode of Operation: S1
- Protection Class: IP54
- Insulation Class: F
- Operation Temperature: -25 C ~+60 C
- Technical Feature: Control input 0-10VDC/PWM, Tach output, Locked-Rotor protection, Reverse Polarity Over-voltage protection, Soft Start Protection.

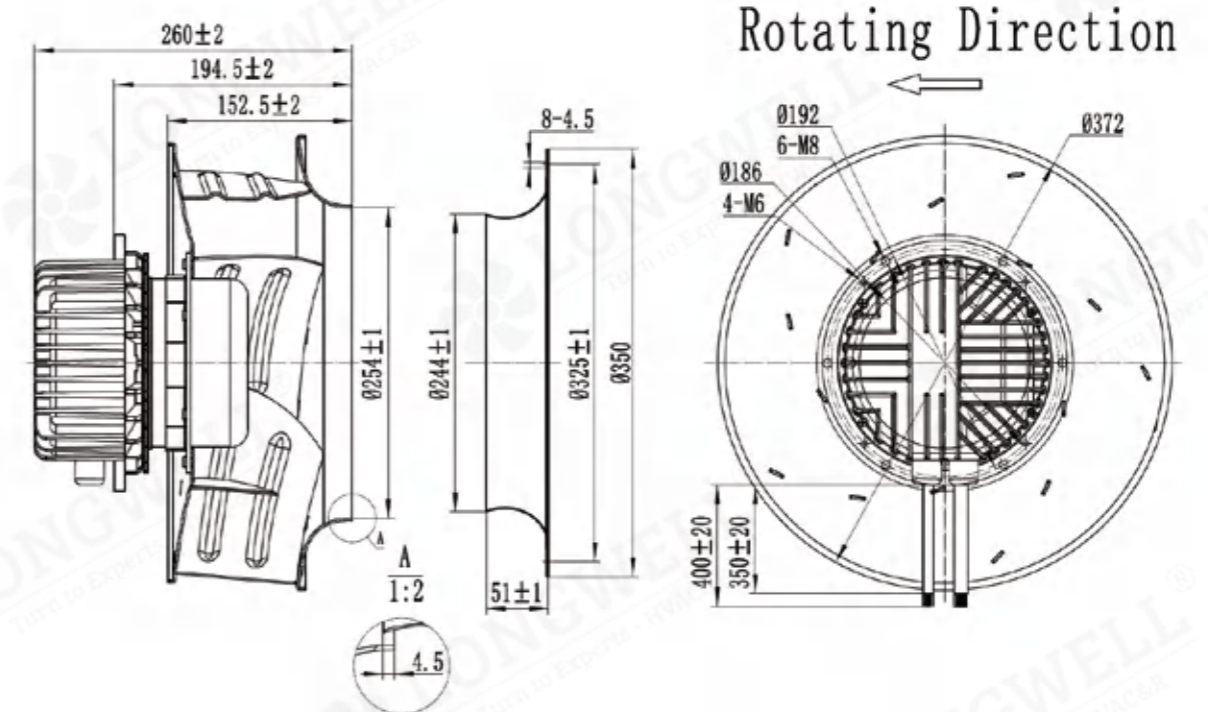


## Technical Specifications

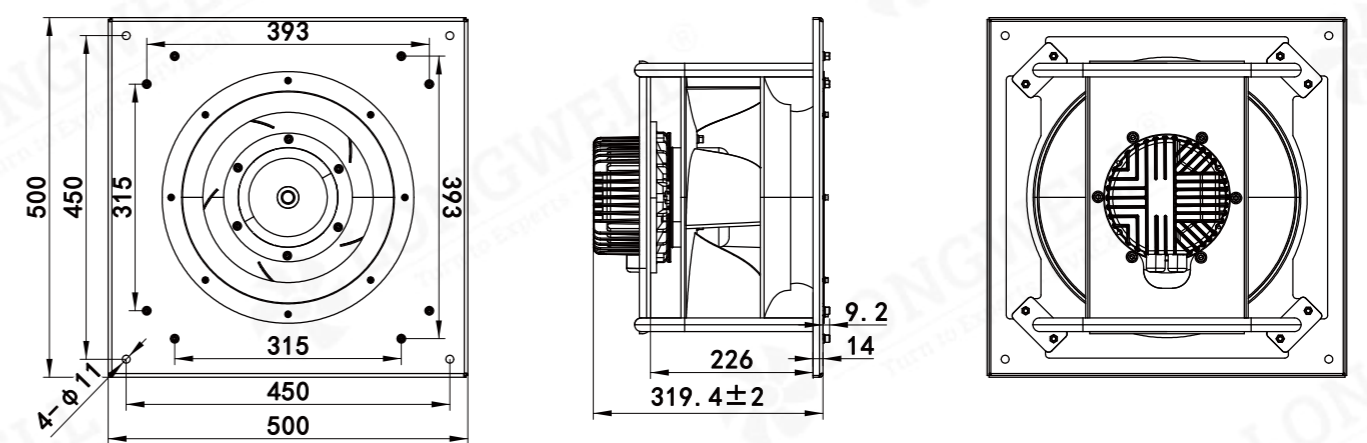
Model	Voltage (V)	Input Power (W)	Current (A)	Air Volume (m³/h)	Static Pressure (Pa)	Speed (RPM)	Noise [dB(A)]
LWBE3G355-138PT-12	400	1100	3.6	6249	1353	2710	77



### LWBE3G355-138NT-27 (without bracket)



### LWBE3G355-138PT-12 (with bracket)



# LWBE-355 Serie



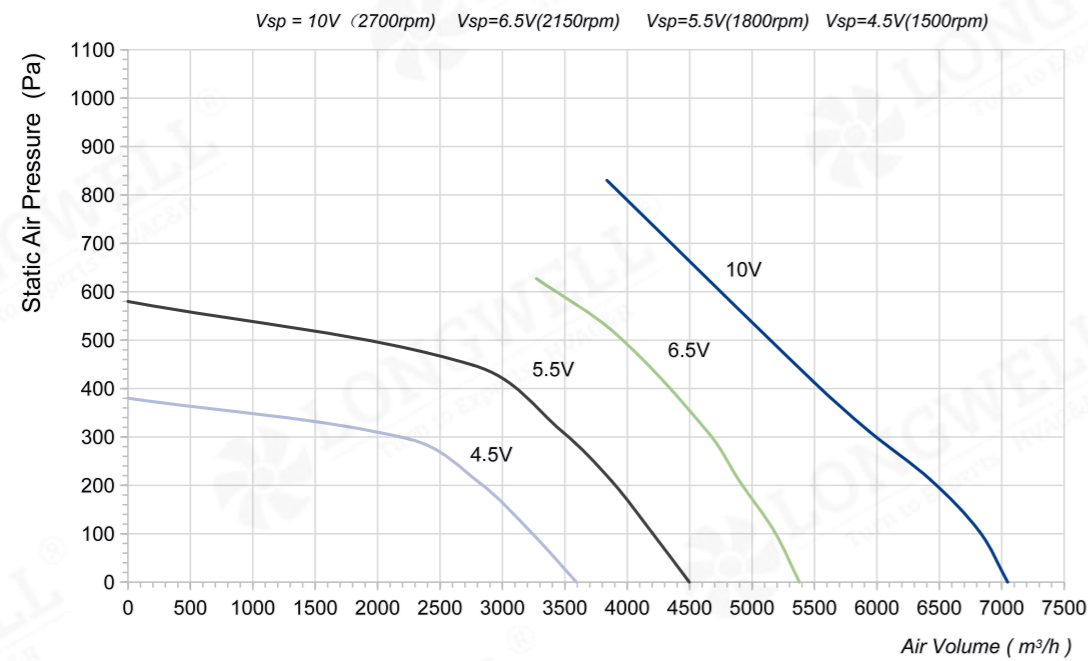
## Product Characteristic

- Impeller Material: Aluminum Alloy
- Supply Voltage: 400V,50/60Hz
- Mode of Operation: S1
- Protection Class: IP54
- Insulation Class: F
- Operation Temperature: -25 C ~+60 C
- Technical Feature: Control input 0-10VDC/PWM, Tach output, Locked-Rotor protection, Reverse Polarity Over-voltage protection, Soft Start Protection.

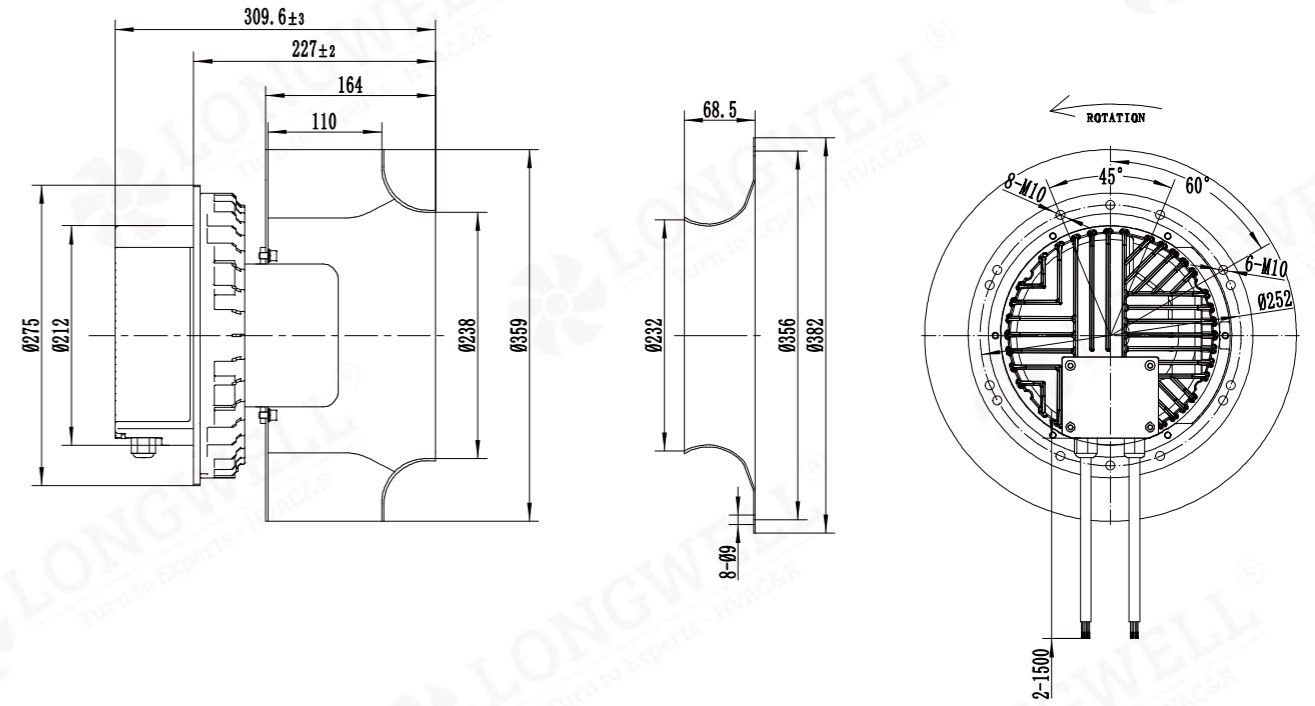


## Technical Specifications

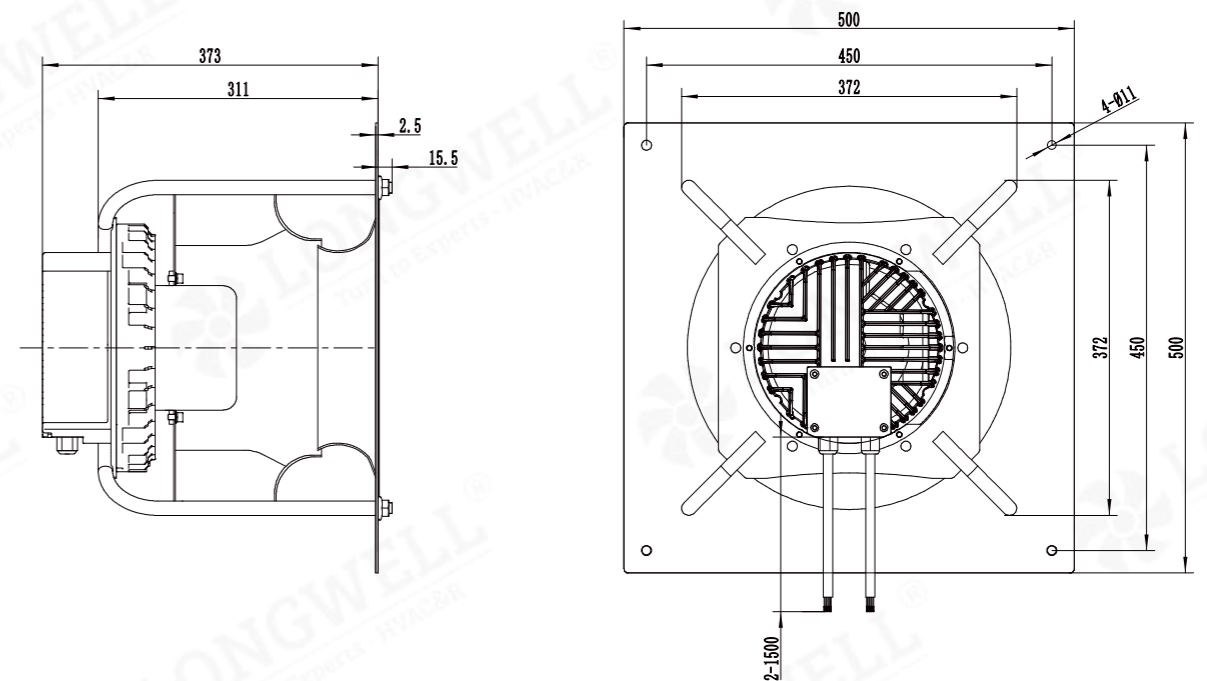
Model	Voltage (V)	Input Power (W)	Current (A)	Air Volume (m³/h)	Static Pressure (Pa)	Speed (RPM)	Noise [dB(A)]
LWBE3G355-138PT-05	400	1700	2.8	7045	830	2700	81



## LWBE3G355-138NT-12 (without bracket)



## LWBE3G355-138PT-05 (with bracket)



# LWBE-355 Serie



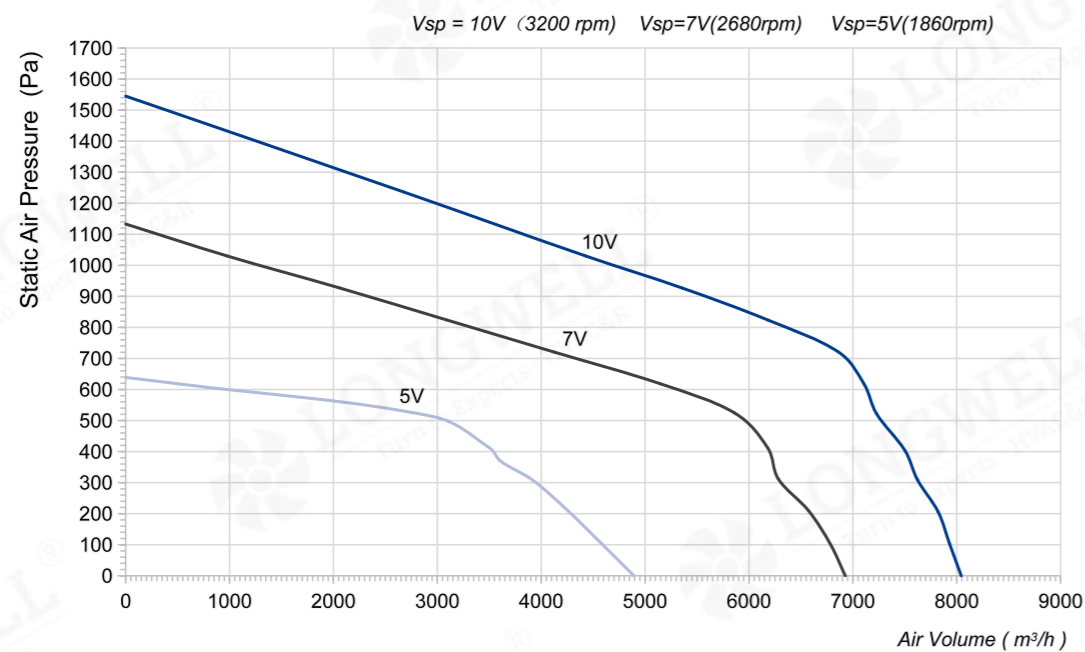
## Product Characteristic

- Impeller Material: Aluminum Alloy
- Supply Voltage: 400V,50/60Hz
- Mode of Operation: S1
- Protection Class: IP54
- Insulation Class: F
- Operation Temperature: -25 C ~+60 C
- Technical Feature: Control input 0-10VDC/PWM, Tach output, Locked-Rotor protection, Reverse Polarity Over-voltage protection, Soft Start Protection.

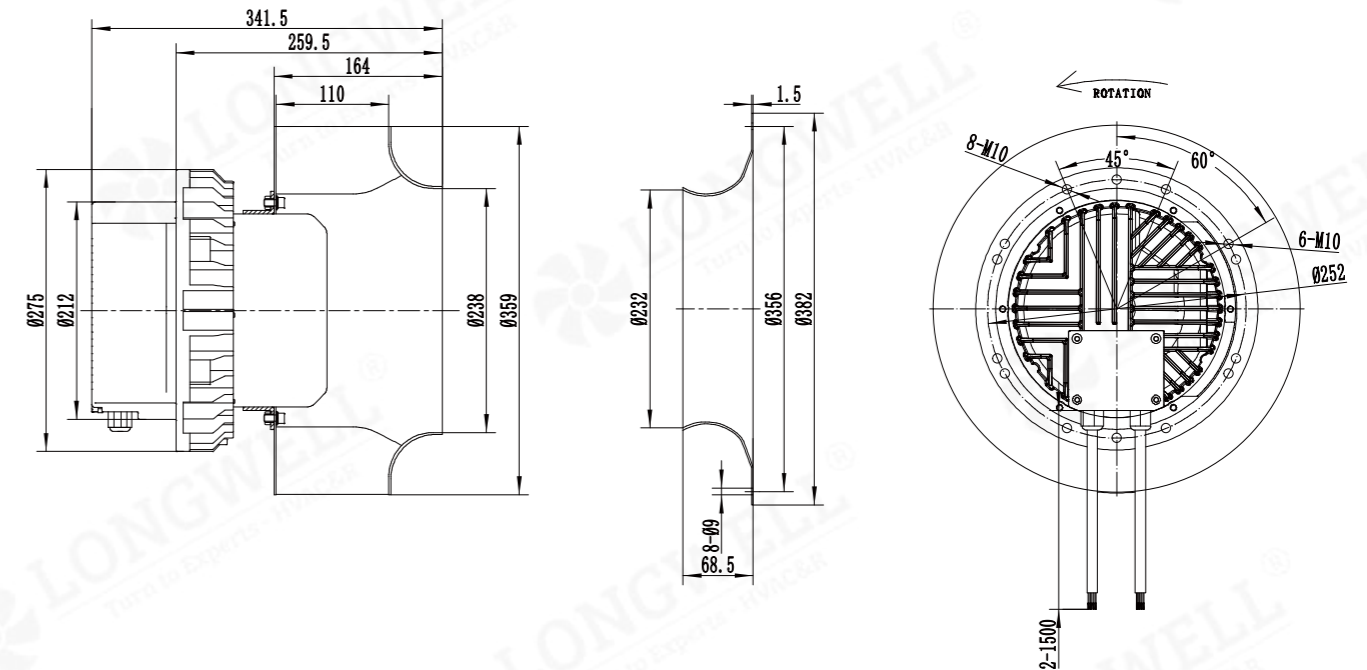


## Technical Specifications

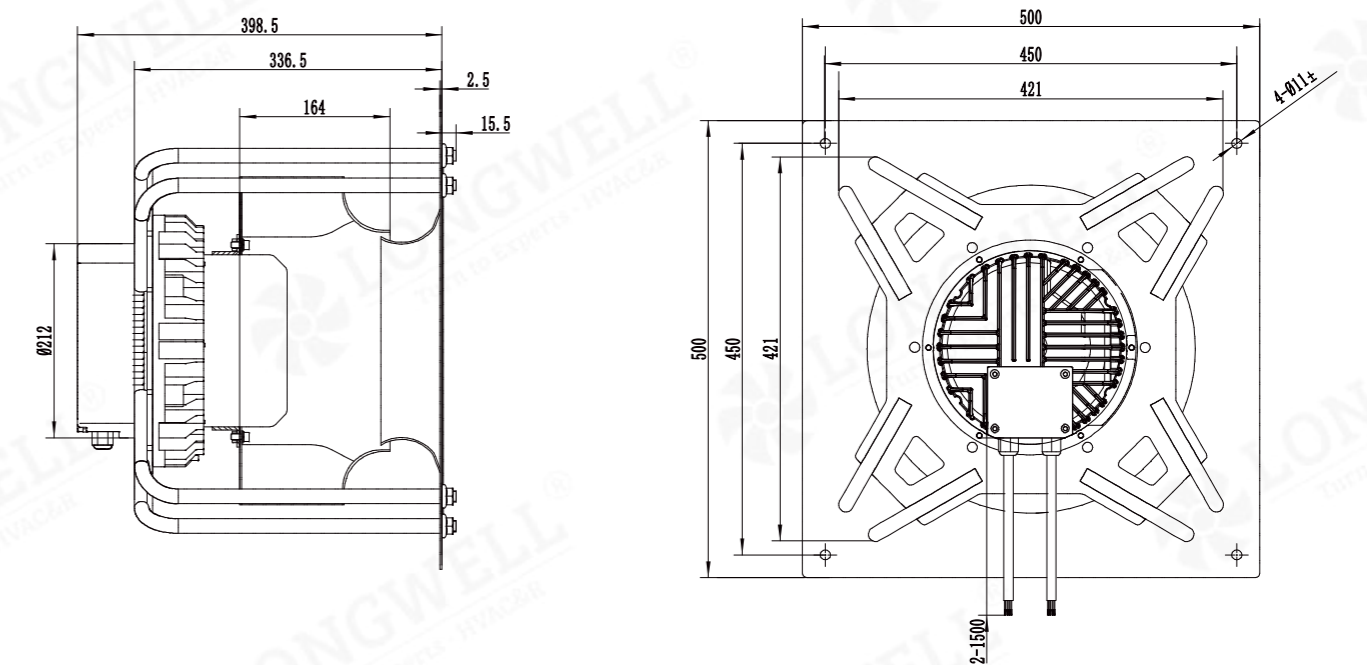
Model	Voltage (V)	Input Power (W)	Current (A)	Air Volume (m³/h)	Static Pressure (Pa)	Speed (RPM)	Noise [dB(A)]
LWBE3G355-188PT-11	400	3090	4.2	8034	1545	3200	96



### LWBE3G355-188NT-26 (without bracket)



### LWBE3G355-188PT-11 (with bracket)



# LWBE-355 Serie



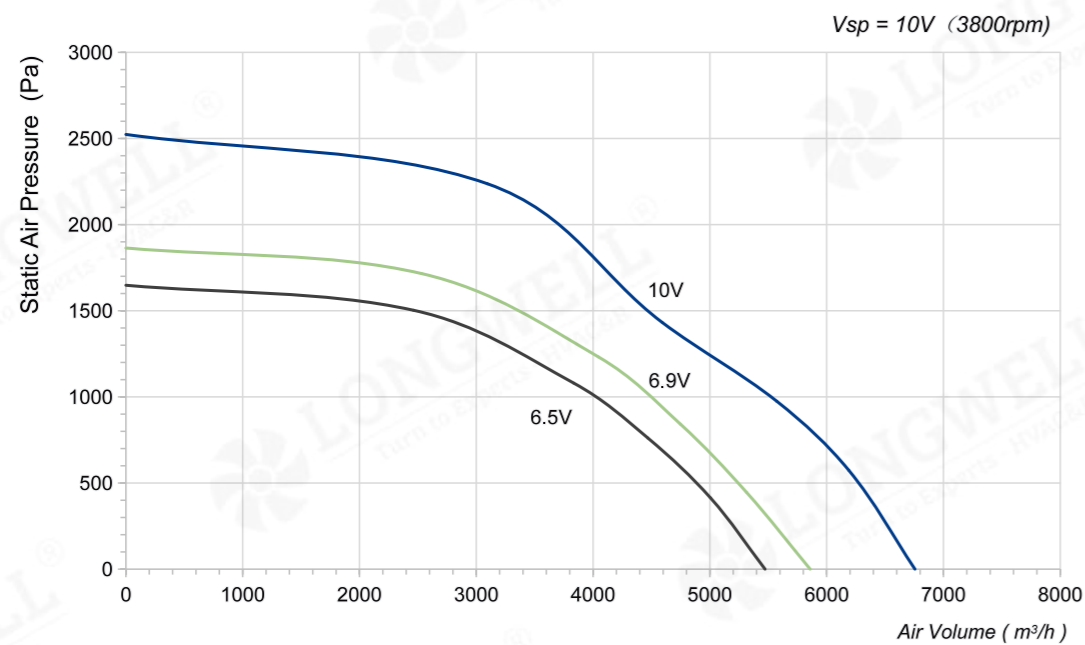
## Product Characteristic

- Impeller Material: Aluminum Alloy
- Supply Voltage: 380V,50/60Hz
- Mode of Operation: S1
- Protection Class: IP44
- Insulation Class: F
- Operation Temperature: -25 C ~+60 C
- Technical Feature: Control input 0-10VDC/PWM, Tach output, Locked-Rotor protection, Reverse Polarity Over-voltage protection, Soft Start Protection.

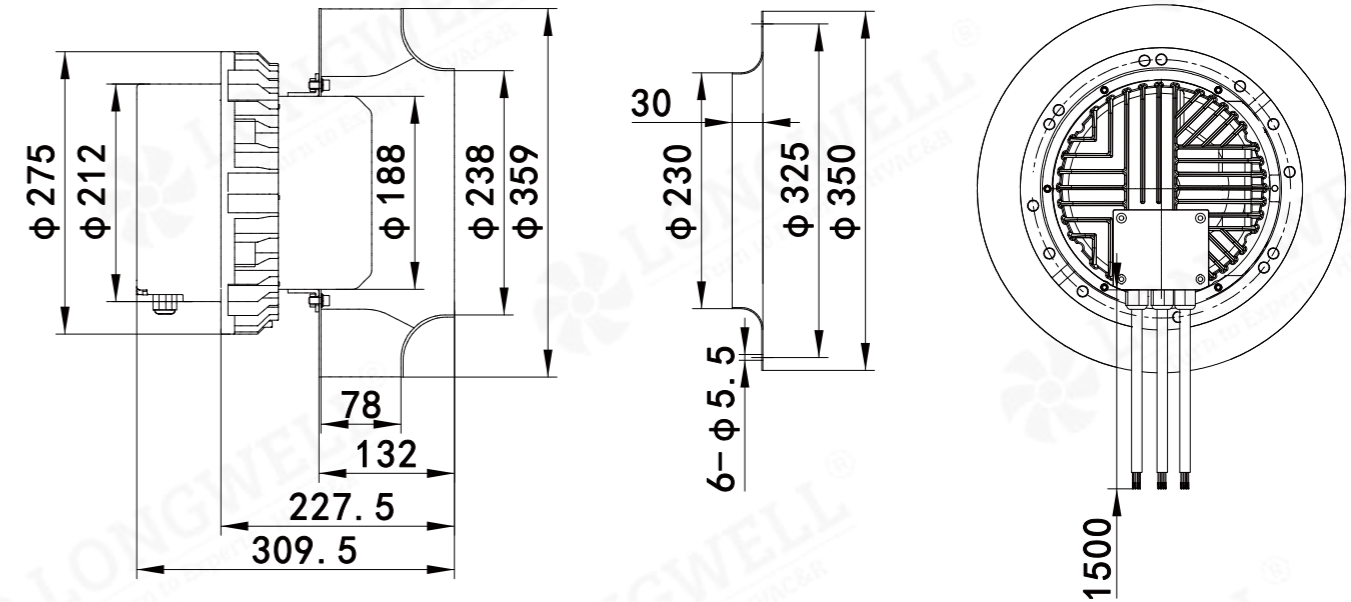


## Technical Specifications

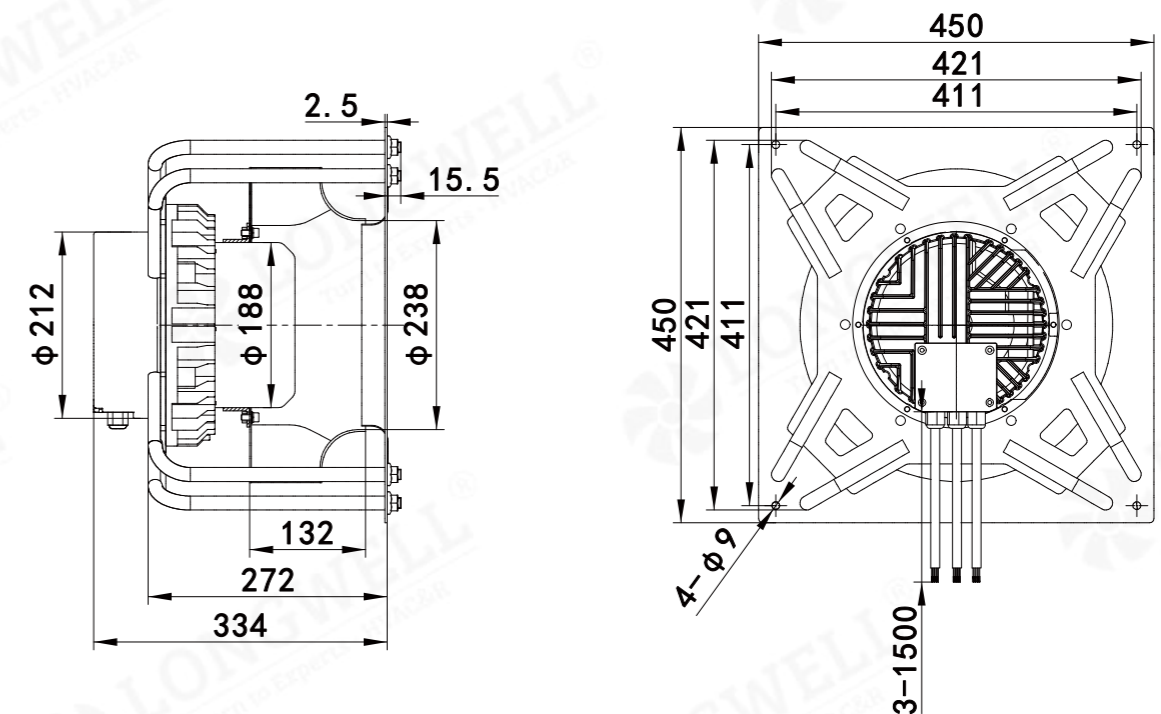
Model	Voltage (V)	Input Power (W)	Current (A)	Air Volume (m³/h)	Static Pressure (Pa)	Speed (RPM)	Noise [dB(A)]
LWBE3G355-188PT-26	380	3100	5.2	6756	2524	3800	96



### LWBE3G355-188NT-29 (without bracket)



### LWBE3G355-188PT-26 (with bracket)



# LWBE-400 Serie



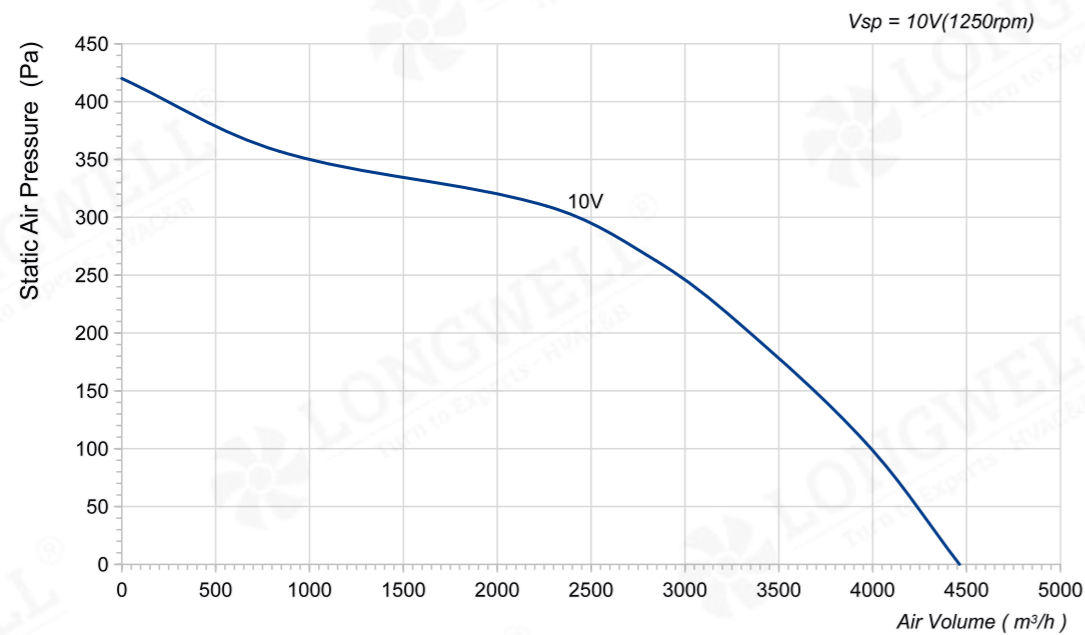
## Product Characteristic

- Impeller Material: Aluminum Alloy
- Supply Voltage: 230V,50/60Hz
- Mode of Operation: S1
- Protection Class: IP54
- Insulation Class: F
- Operation Temperature: -25 C ~+60 C
- Technical Feature: Control input 0-10VDC/PWM, Tach output, Locked-Rotor protection, Reverse Polarity Over-voltage protection, Soft Start Protection.

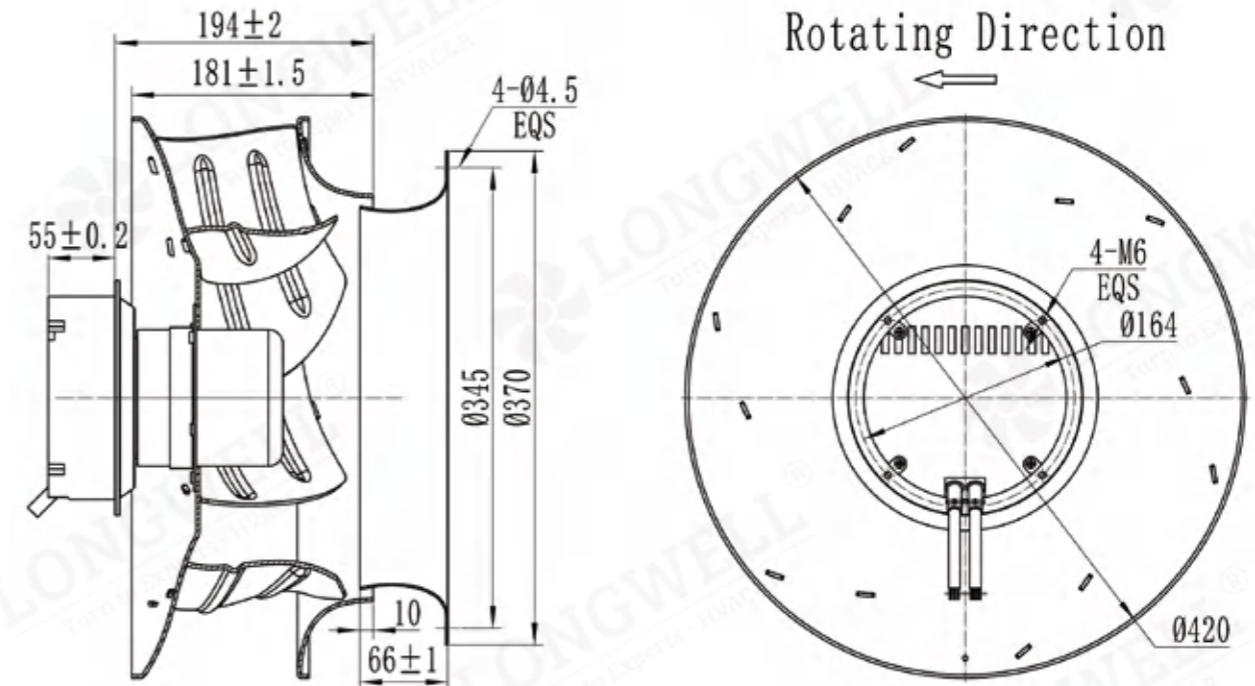


## Technical Specifications

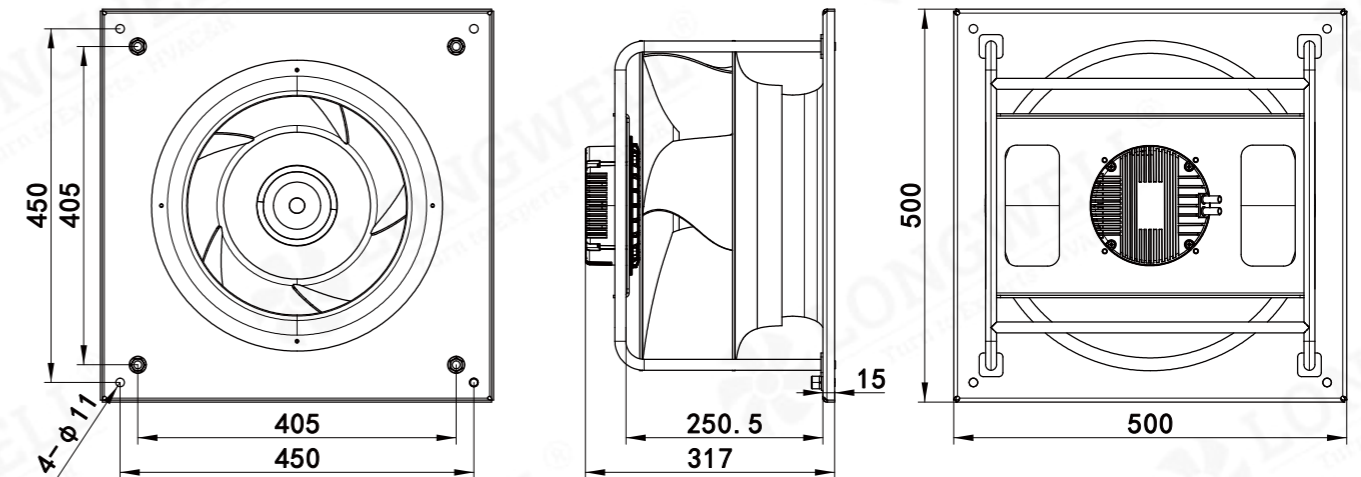
Model	Voltage (V)	Input Power (W)	Current (A)	Air Volume (m³/h)	Static Pressure (Pa)	Speed (RPM)	Noise [dB(A)]
LWBE3G400-102PS-09	230	297	/	4463	420	1250	/



## LWBE3G400-102NS-14 (without bracket)



## LWBE3G400-102PS-09 (with bracket)



# LWBE-400 Serie



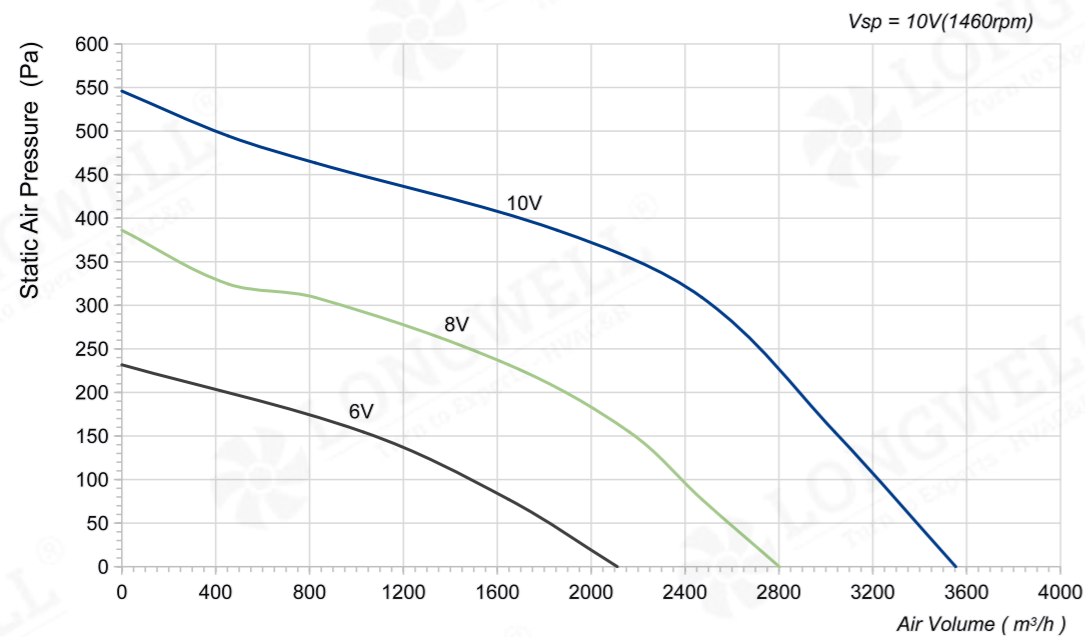
## Product Characteristic

- Impeller Material: Aluminum Alloy
- Supply Voltage: 230V,50/60Hz
- Mode of Operation: S1
- Protection Class: IP44
- Insulation Class: F
- Operation Temperature: -25 C ~+60 C
- Technical Feature: Control input 0-10VDC/PWM, Tach output, Locked-Rotor protection, Reverse Polarity Over-voltage protection, Soft Start Protection.

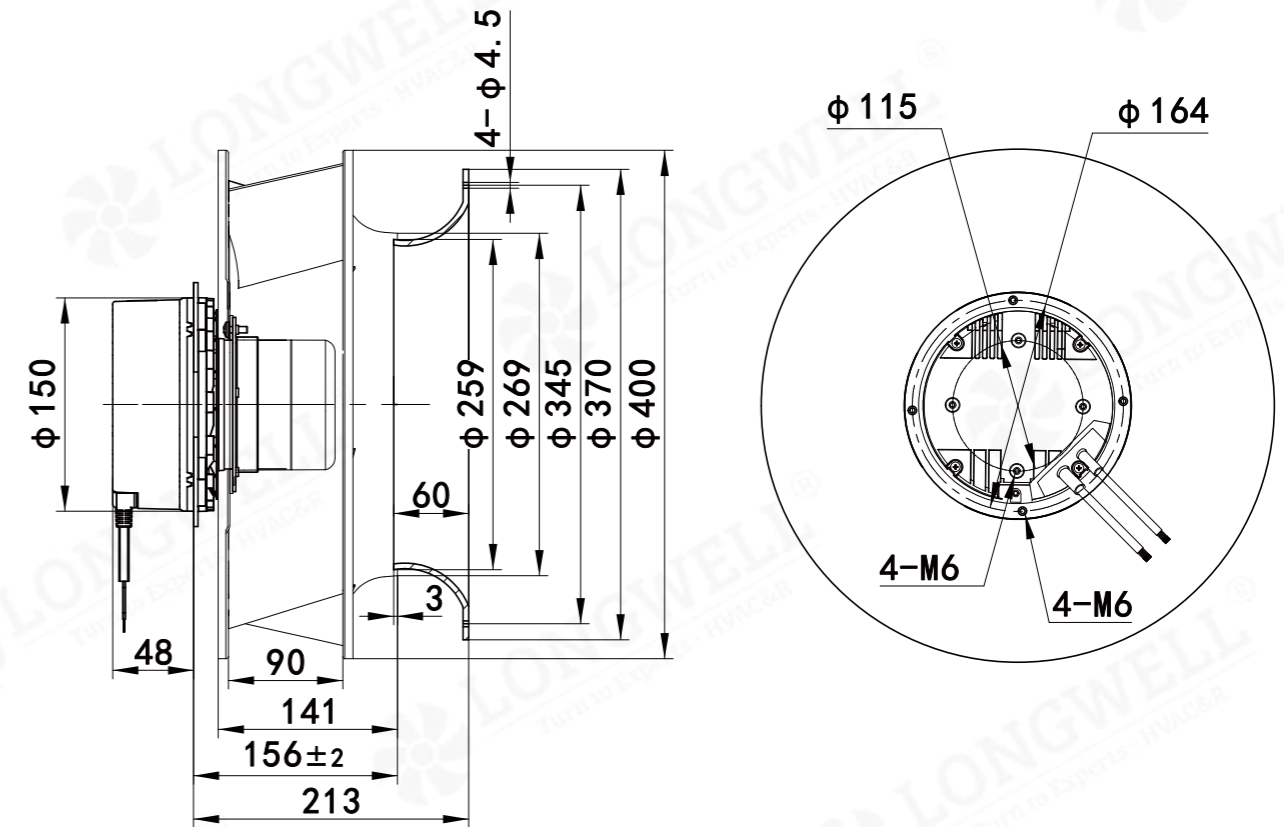


## Technical Specifications

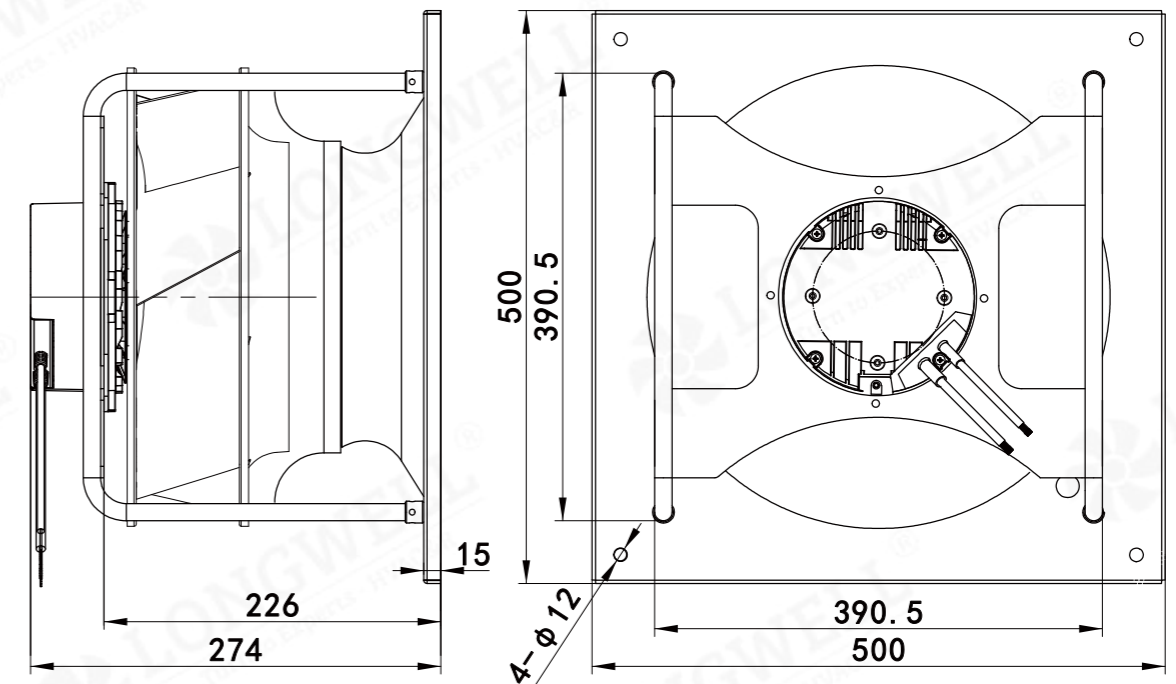
Model	Voltage (V)	Input Power (W)	Current (A)	Air Volume (m³/h)	Static Pressure (Pa)	Speed (RPM)	Noise [dB(A)]
LWBE3G400-102PS-11	230	300	2.1	3554	546	1460	76



## LWBE3G400-102NS-16 (without bracket)



## LWBE3G400-102PS-11 (with bracket)



# LWBE-400 Serie



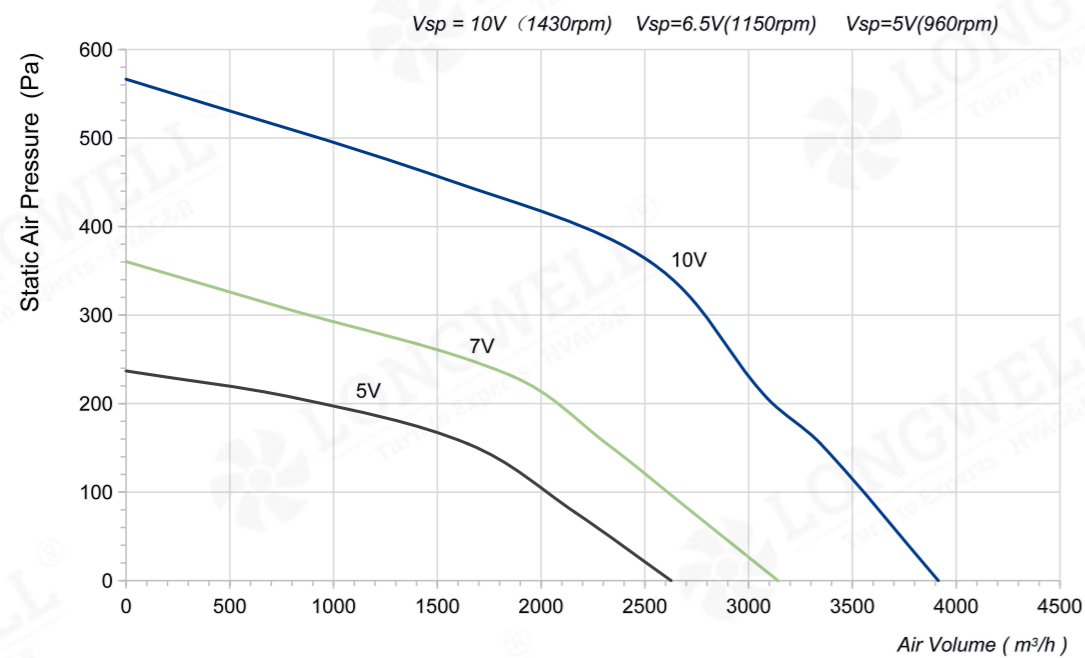
## Product Characteristic

- Impeller Material: Aluminum Alloy
- Supply Voltage: 230V,50/60Hz
- Mode of Operation: S1
- Protection Class: IP54
- Insulation Class: B
- Operation Temperature: -25 C ~+60 C
- Technical Feature: Control input 0-10VDC/PWM, Tach output, Locked-Rotor protection, Reverse Polarity Over-voltage protection, Soft Start Protection.

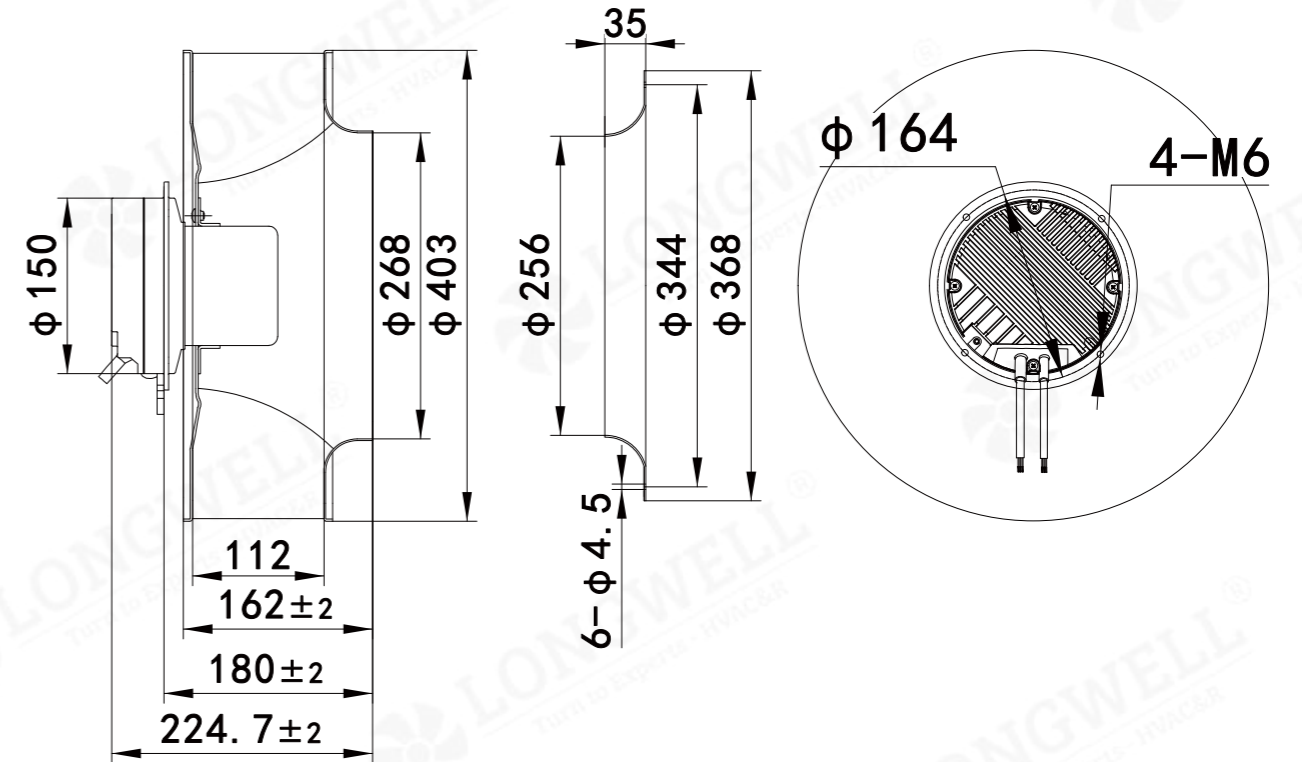


## Technical Specifications

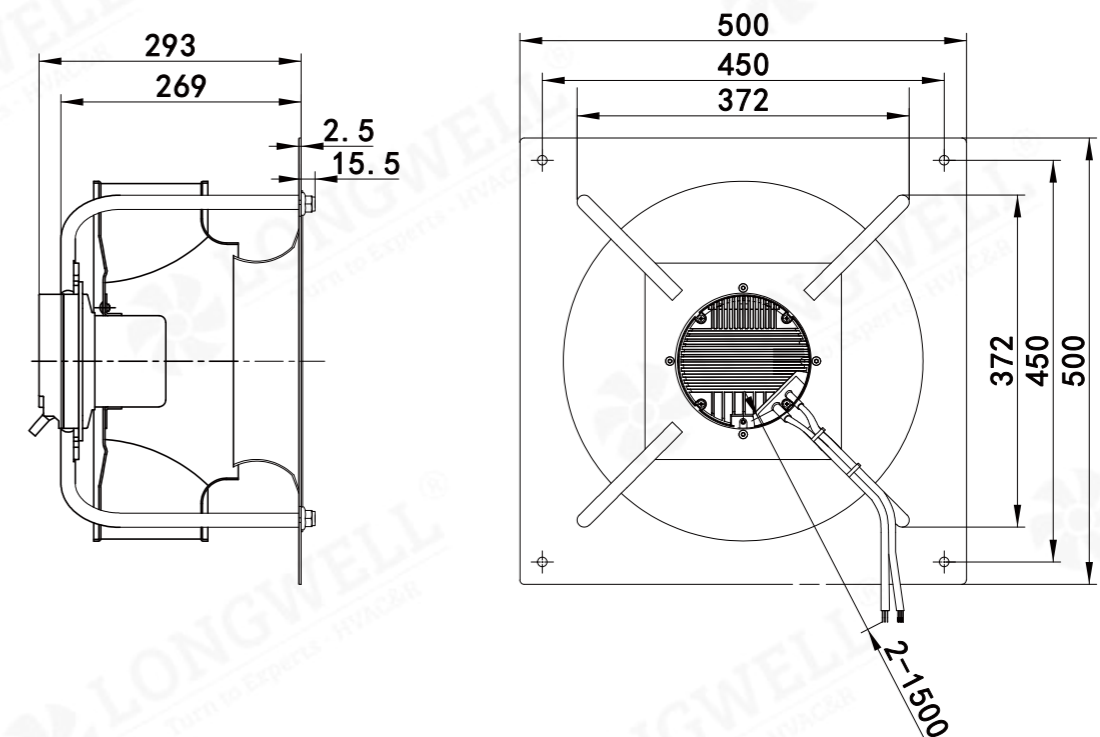
Model	Voltage (V)	Input Power (W)	Current (A)	Air Volume (m³/h)	Static Pressure (Pa)	Speed (RPM)	Noise [dB(A)]
LWBE3G400-102PS-01	230	330	1.5	3914	556	1430	70



### LWBE3G400-102NS-02 (without bracket)



### LWBE3G400-102PS-01 (with bracket)



# LWBE-400 Serie



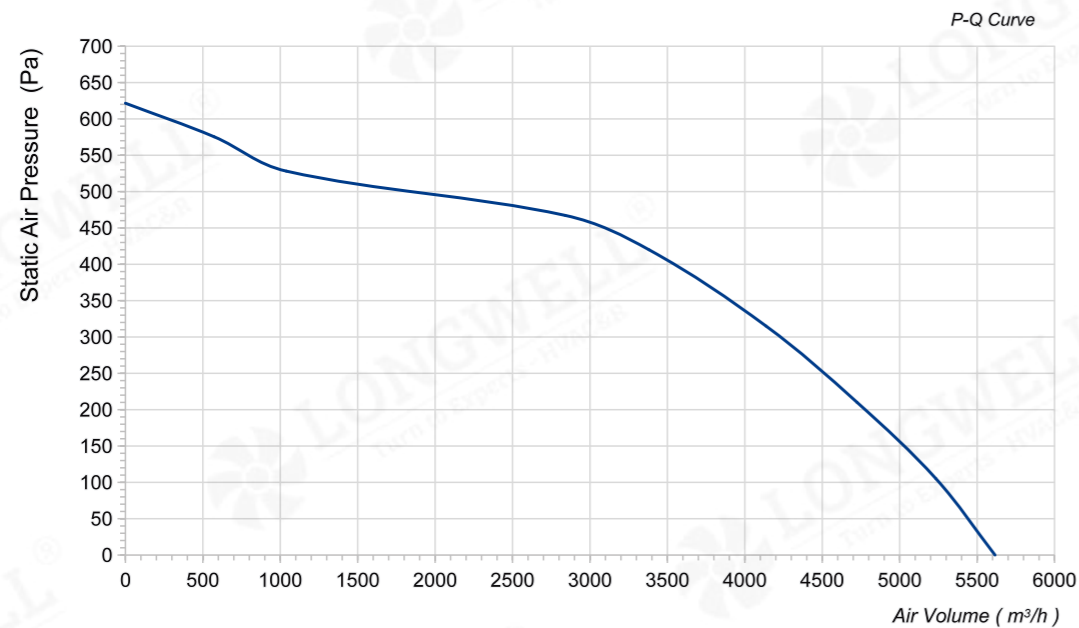
## Product Characteristic

- Impeller Material: Aluminum Alloy
- Supply Voltage: 230V,50/60Hz
- Mode of Operation: S1
- Protection Class: IP54
- Insulation Class: F
- Operation Temperature: -25 C ~+60 C
- Technical Feature: Control input 0-10VDC/PWM, Tach output, Locked-Rotor protection, Reverse Polarity Over-voltage protection, Soft Start Protection.

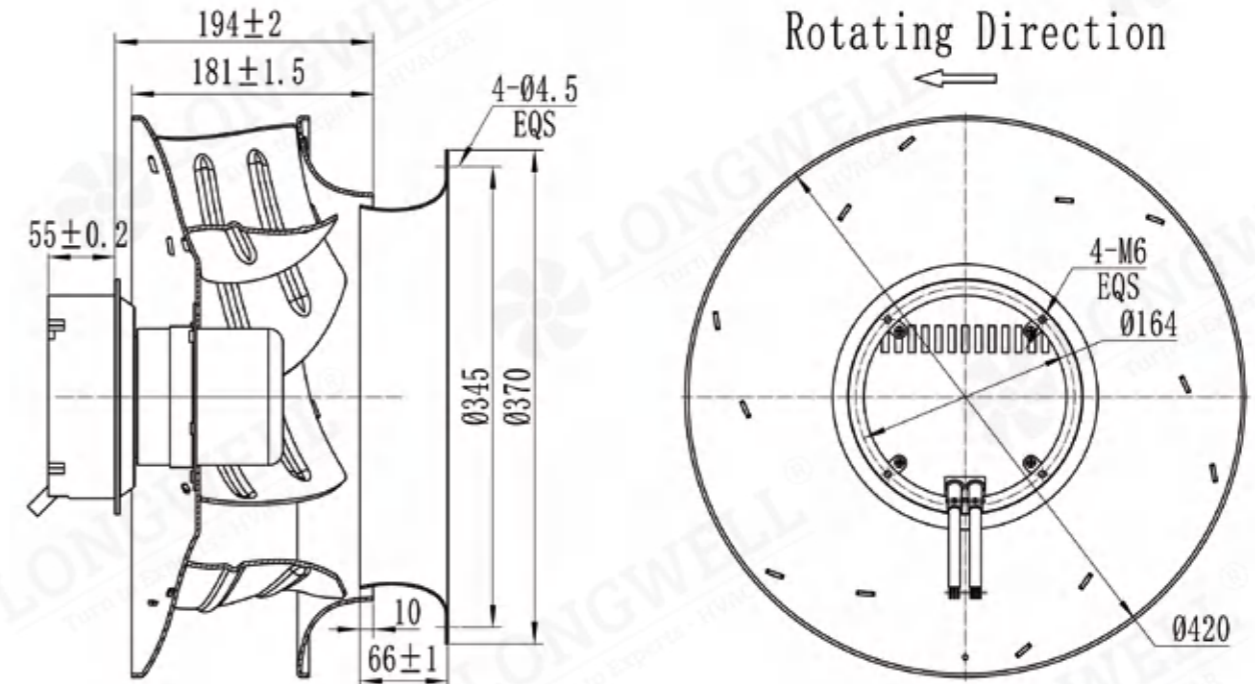


## Technical Specifications

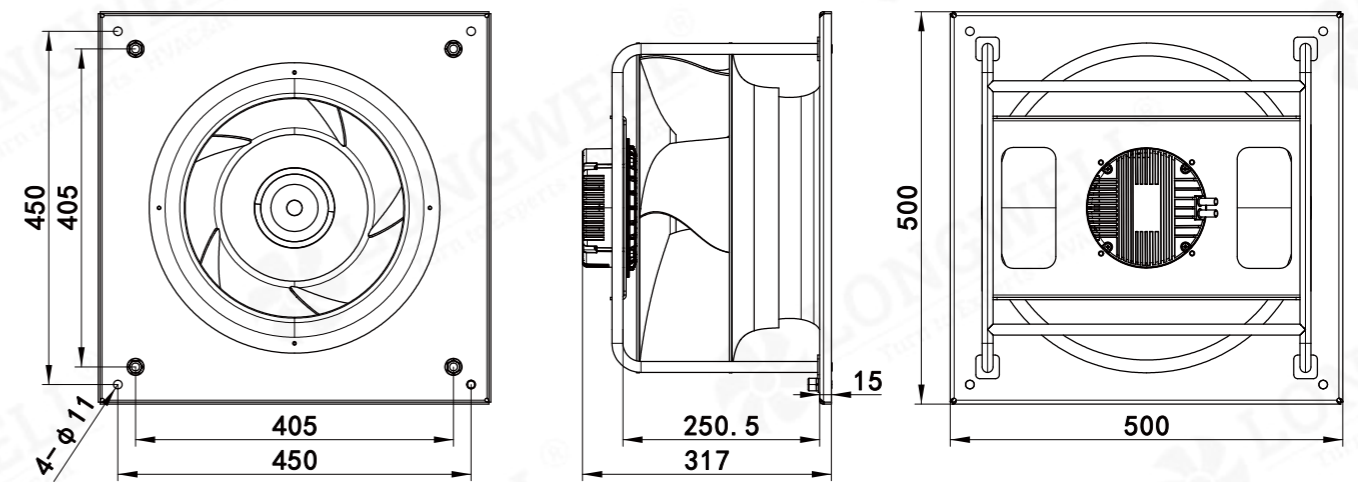
Model	Voltage (V)	Input Power (W)	Current (A)	Air Volume (m³/h)	Static Pressure (Pa)	Speed (RPM)	Noise [dB(A)]
LWBE3G400-102PS-10	230	500	3.6	5615	622	1520	/



## LWBE3G400-102NS-15 (without bracket)



## LWBE3G400-102PS-10 (with bracket)



# LWBE-400 Serie

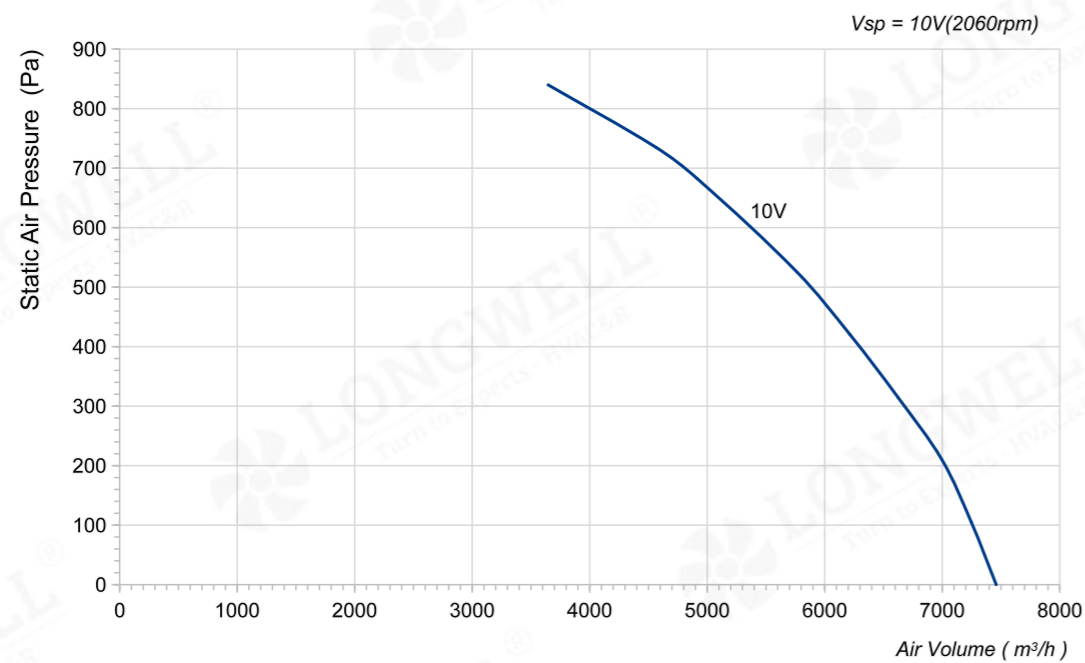
## Product Characteristic

- Impeller Material: Aluminum Alloy
- Supply Voltage: 400V,50/60Hz
- Mode of Operation: S1
- Protection Class: IP54
- Insulation Class: F
- Operation Temperature: -25 C ~+60 C
- Technical Feature: Control input 0-10VDC/PWM, Tach output, Locked-Rotor protection, Reverse Polarity Over-voltage protection, Soft Start Protection.

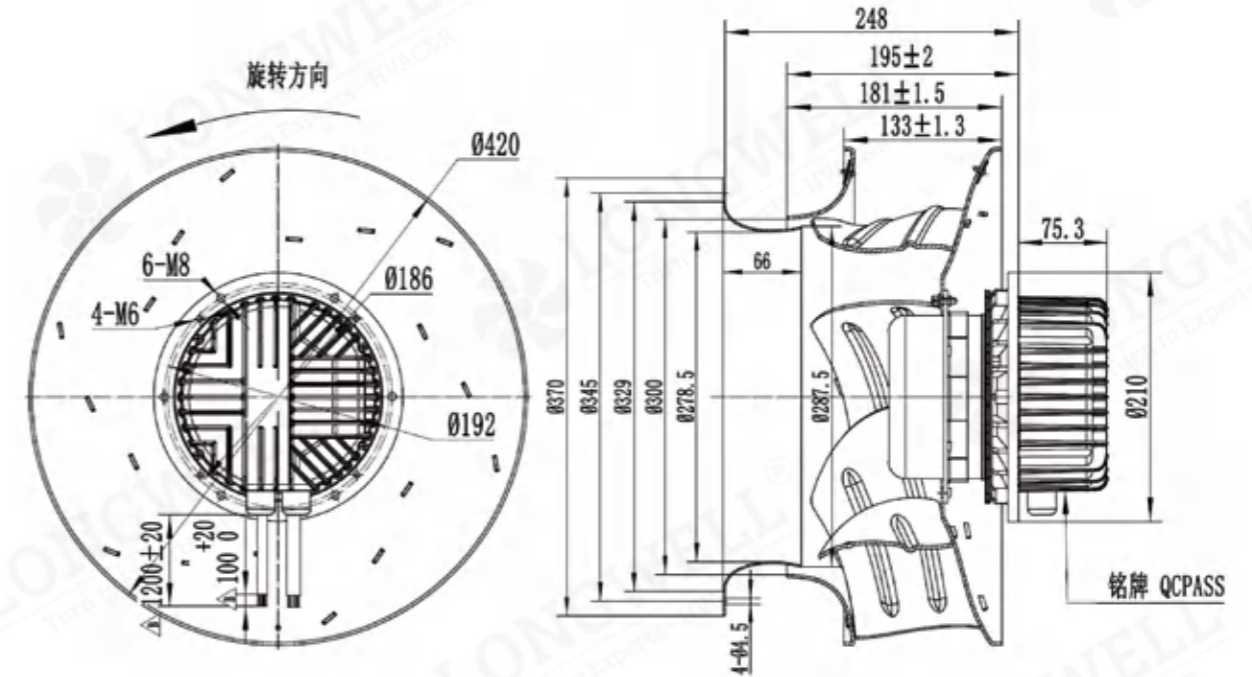


## Technical Specifications

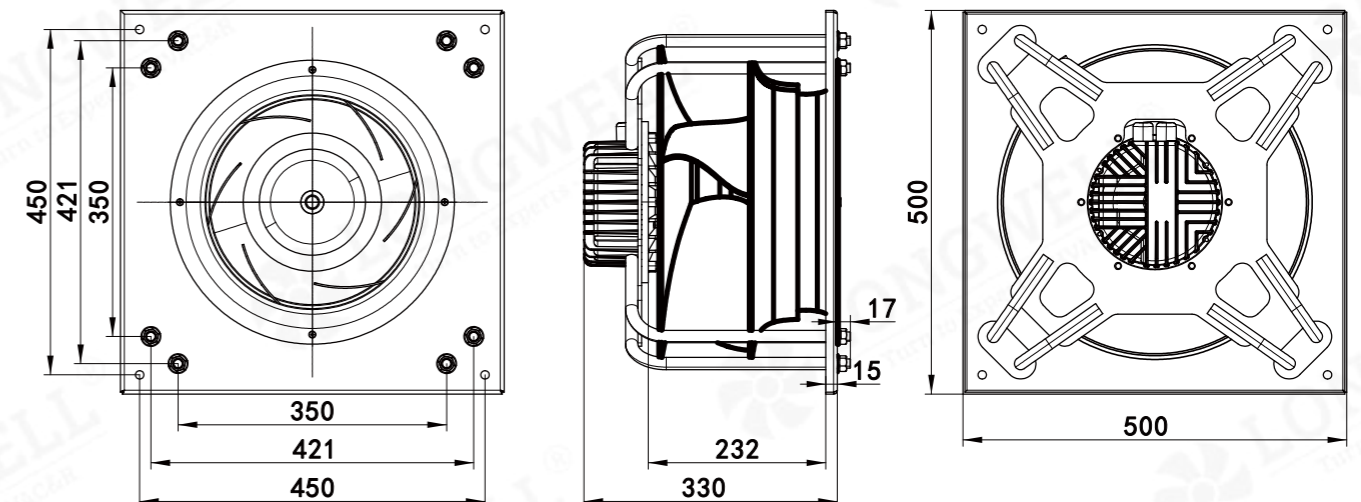
Model	Voltage (V)	Input Power (W)	Current (A)	Air Volume (m³/h)	Static Pressure (Pa)	Speed (RPM)	Noise [dB(A)]
LWBE3G400-138PT-04	400	1100	2.4	7459	840	2060	/



## LWBE3G400-138NT-12 (without bracket)



## LWBE3G400-138PT-04 (with bracket)



# LWBE-400 Serie



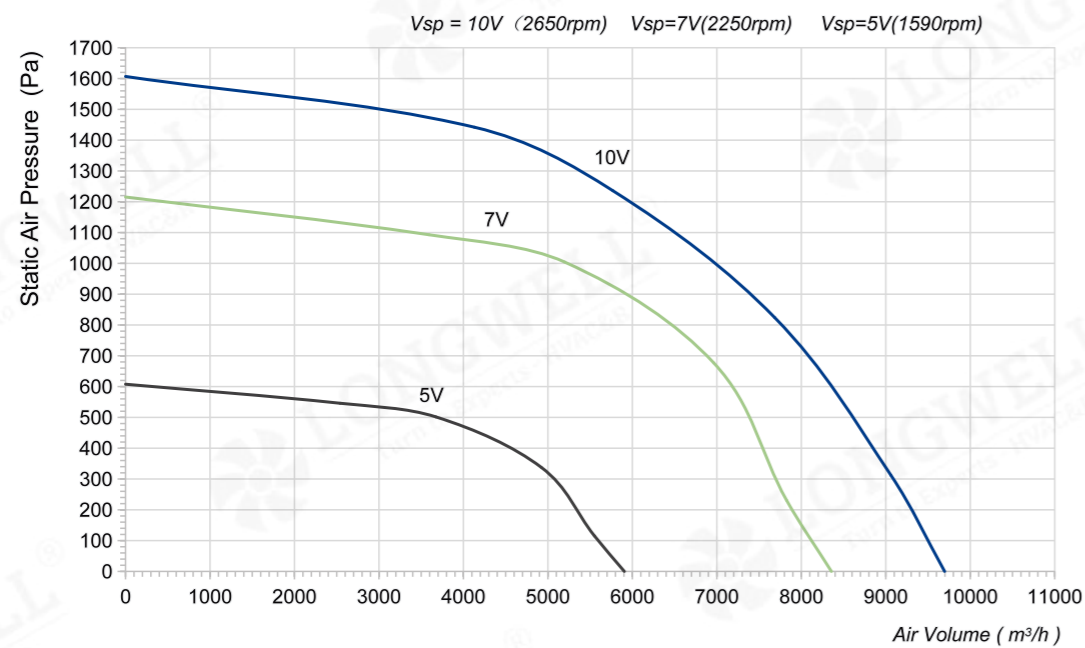
## Product Characteristic

- Impeller Material: Aluminum Alloy
- Supply Voltage: 400V,50/60Hz
- Mode of Operation: S1
- Protection Class: IP54
- Insulation Class: F
- Operation Temperature: -25 C ~+60 C
- Technical Feature: Control input 0-10VDC/PWM, Tach output, Locked-Rotor protection, Reverse Polarity Over-voltage protection, Soft Start Protection.

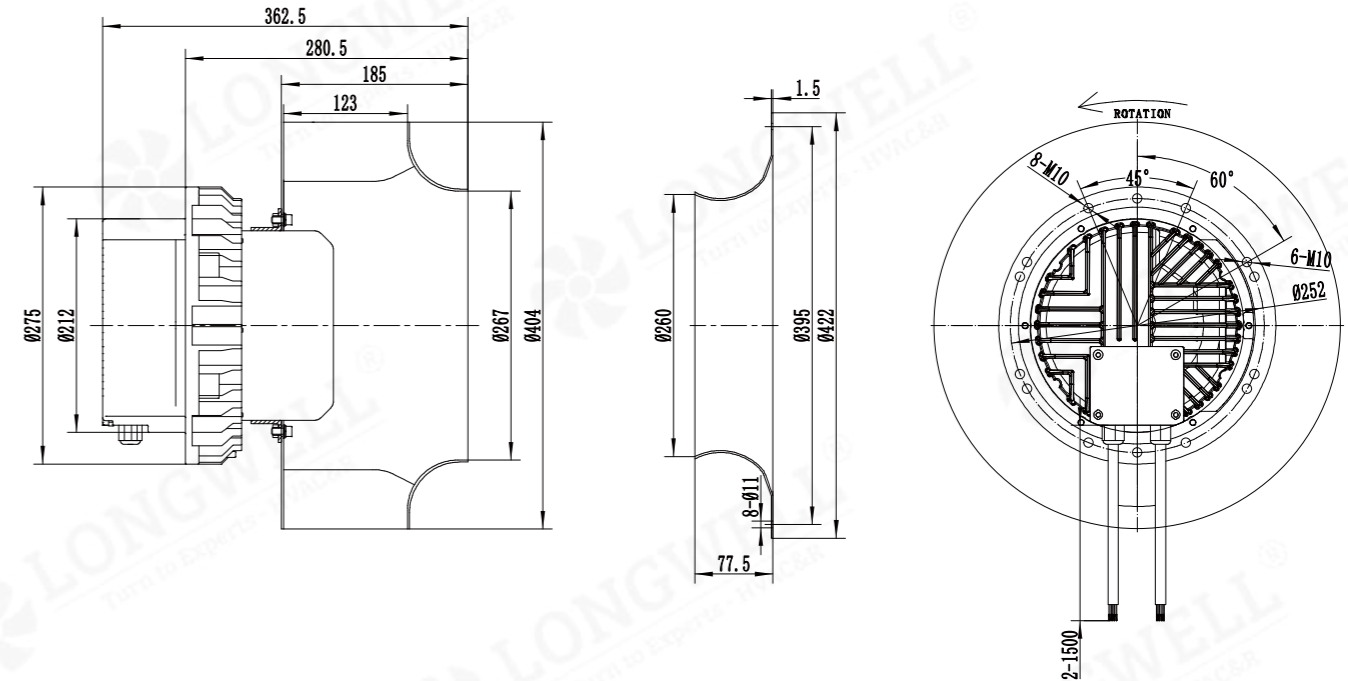


## Technical Specifications

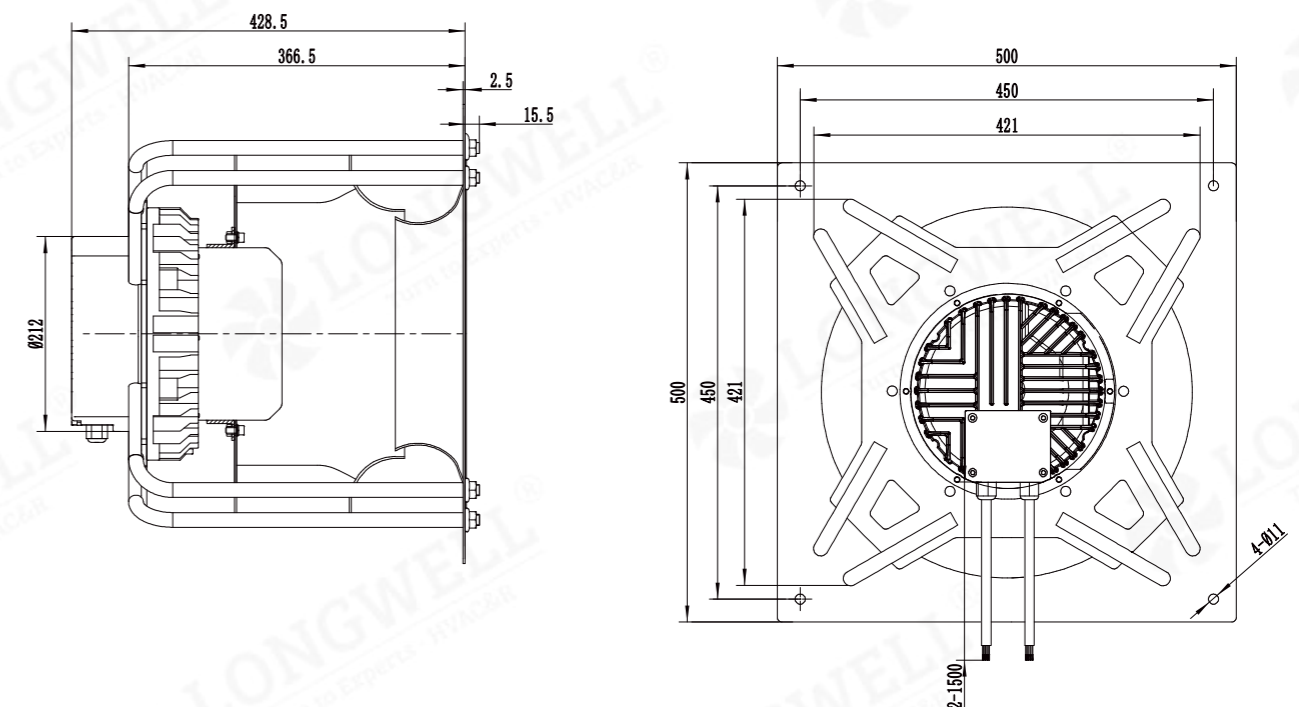
Model	Voltage (V)	Input Power (W)	Current (A)	Air Volume (m³/h)	Static Pressure (Pa)	Speed (RPM)	Noise [dB(A)]
LWBE3G400-188PT-07	400	2060	4.2	9682	1627	2650	84



## LWBE3G400-188NT-17 (without bracket)



## LWBE3G400-188PT-07 (with bracket)



# LWBE-450 Serie



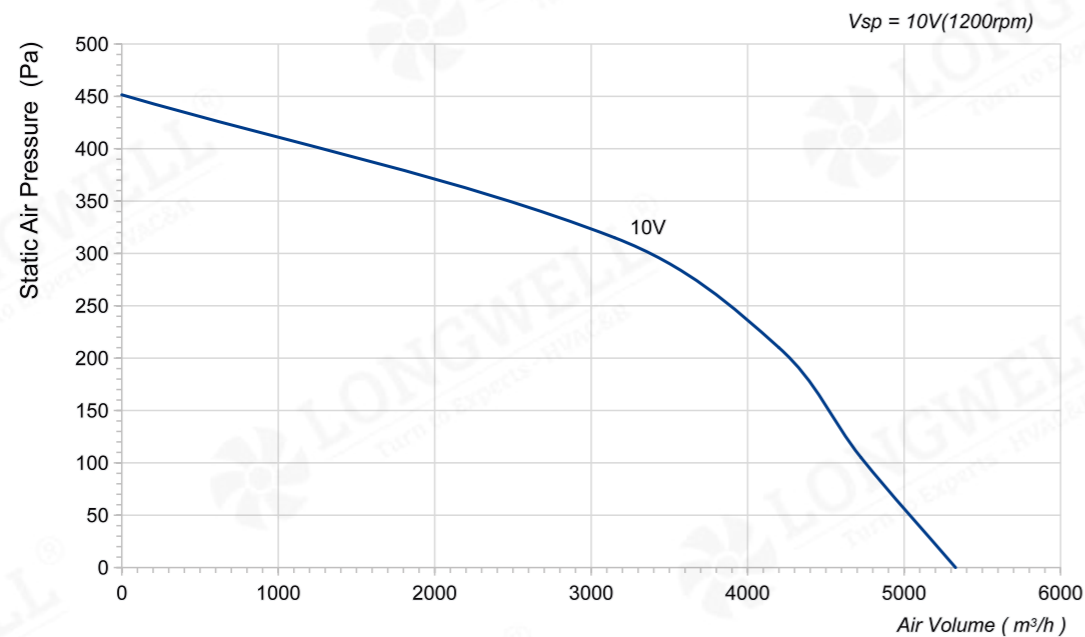
## Product Characteristic

- Impeller Material: Aluminum Alloy
- Supply Voltage: 400V,50/60Hz
- Mode of Operation: S1
- Protection Class: IP54
- Insulation Class: F
- Operation Temperature: -25 C ~+60 C
- Technical Feature: Control input 0-10VDC/PWM, Tach output, Locked-Rotor protection, Reverse Polarity Over-voltage protection, Soft Start Protection.

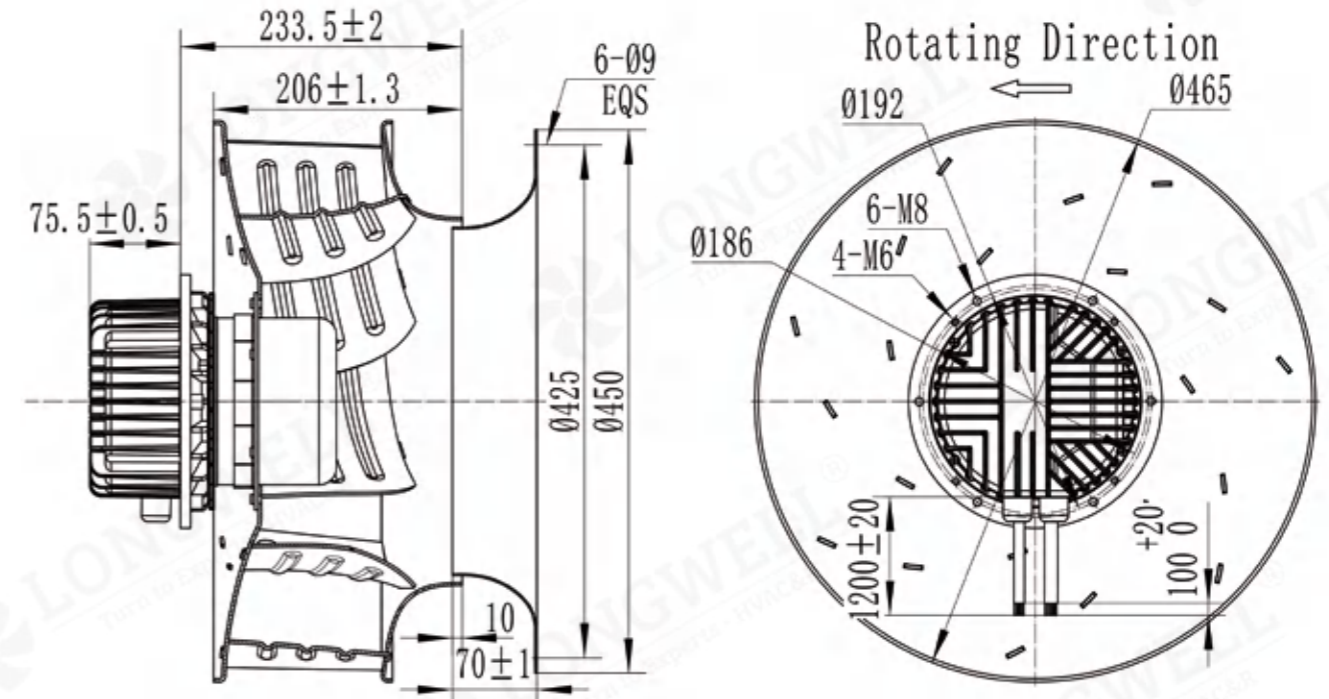


## Technical Specifications

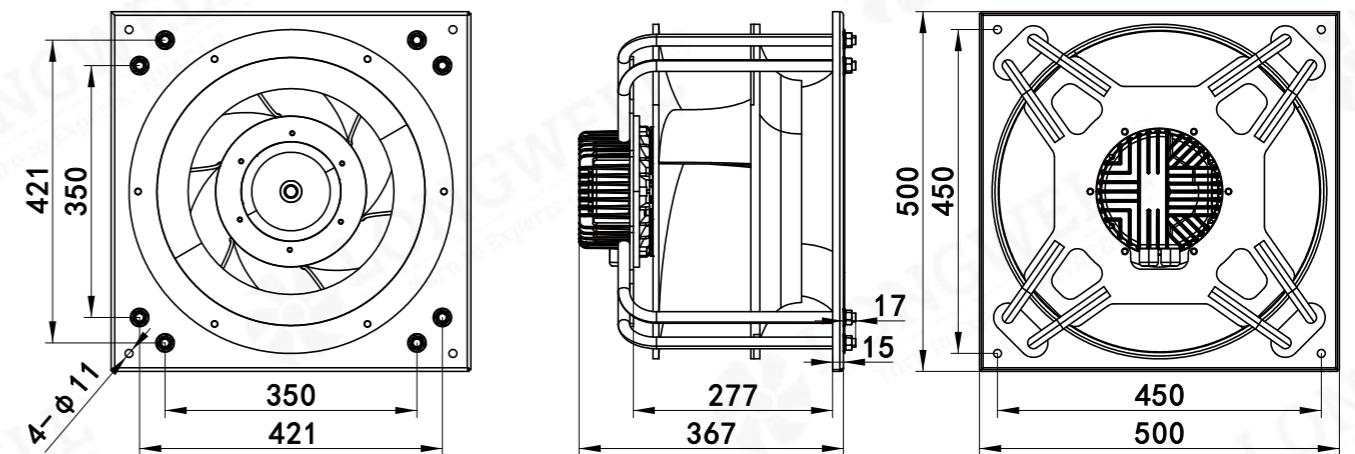
Model	Voltage (V)	Input Power (W)	Current (A)	Air Volume (m³/h)	Static Pressure (Pa)	Speed (RPM)	Noise [dB(A)]
LWBE3G450-138PT-12	400	386	/	5329	452	1200	/



## LWBE3G450-138NT-11 (without bracket)



## LWBE3G450-138PT-12 (with bracket)



# LWBE-450 Serie

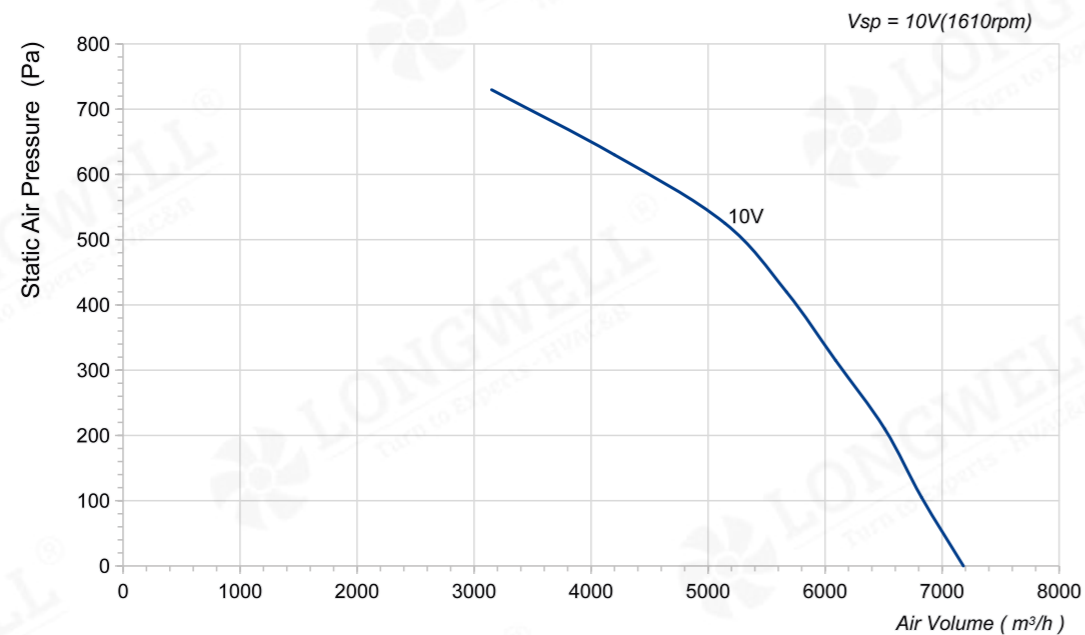
## Product Characteristic

- Impeller Material: Aluminum Alloy
- Supply Voltage: 400V,50/60Hz
- Mode of Operation: S1
- Protection Class: IP54
- Insulation Class: F
- Operation Temperature: -25 C ~+60 C
- Technical Feature: Control input 0-10VDC/PWM, Tach output, Locked-Rotor protection, Reverse Polarity Over-voltage protection, Soft Start Protection.

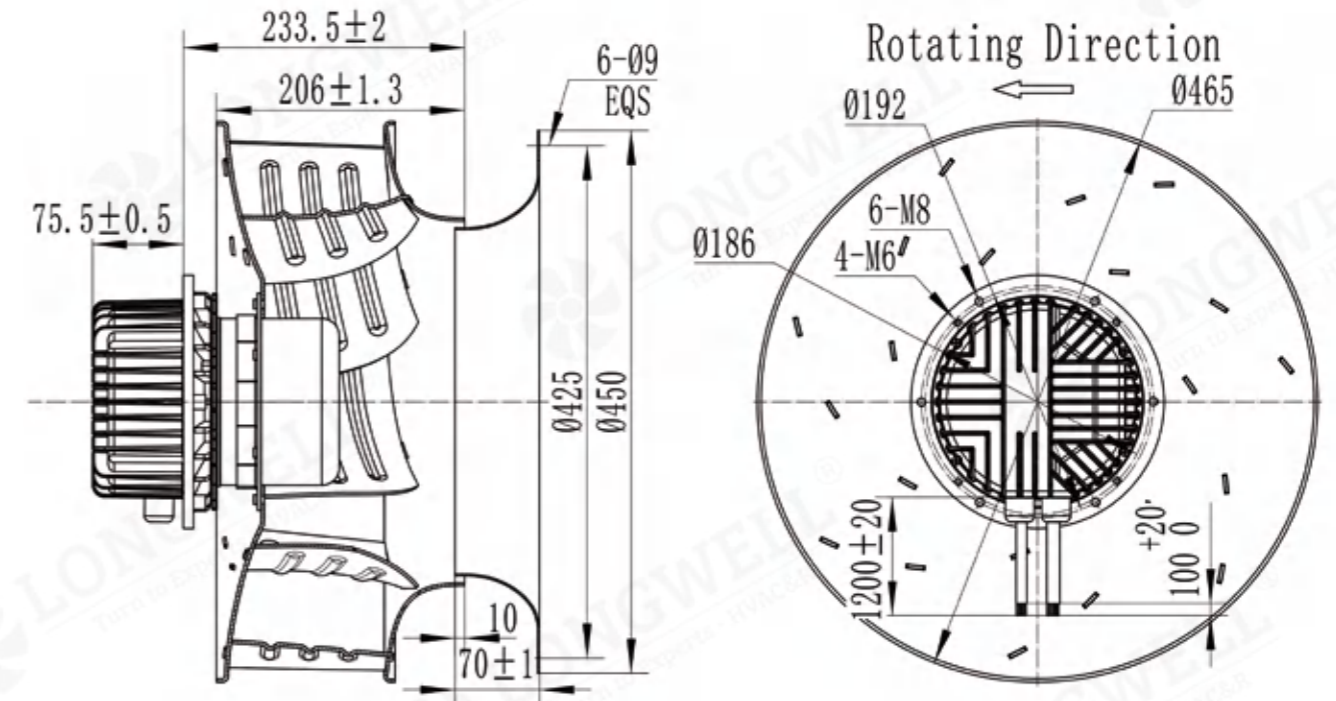


## Technical Specifications

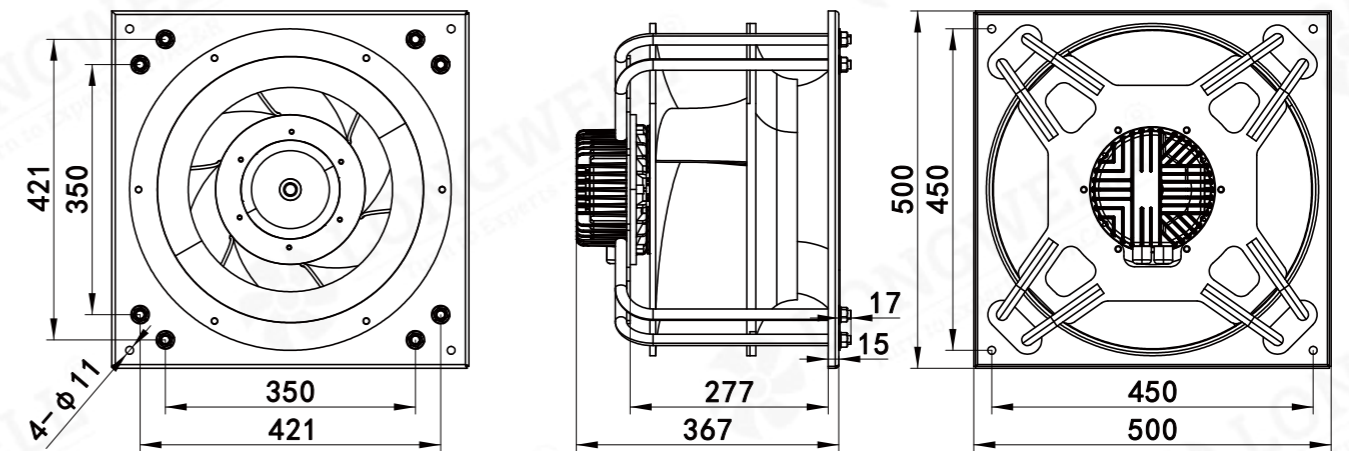
Model	Voltage (V)	Input Power (W)	Current (A)	Air Volume (m³/h)	Static Pressure (Pa)	Speed (RPM)	Noise [dB(A)]
LWBE3G450-138PT-13	400	900	/	7182	730	1610	/



### LWBE3G450-138NT-12 (without bracket)



### LWBE3G450-138PT-13 (with bracket)



# LWBE-450 Serie



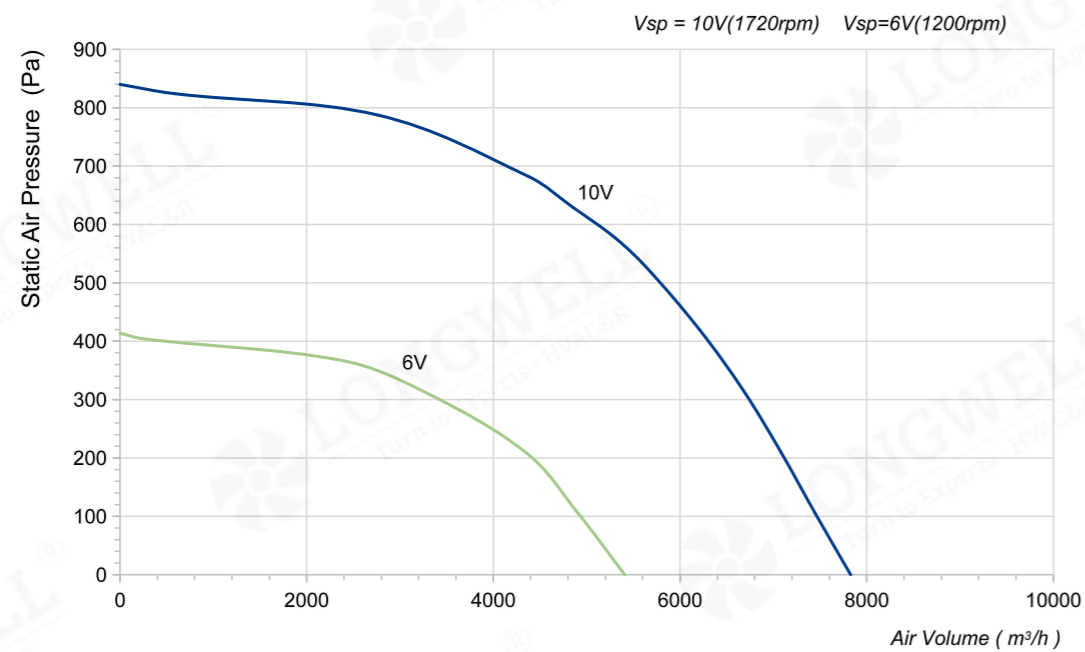
## Product Characteristic

- Impeller Material: Aluminum Alloy
- Supply Voltage: 400V,50/60Hz
- Mode of Operation: S1
- Protection Class: IP54
- Insulation Class: F
- Operation Temperature: -25 C ~+60 C
- Technical Feature: Control input 0-10VDC/PWM, Tach output, Locked-Rotor protection, Reverse Polarity Over-voltage protection, Soft Start Protection.

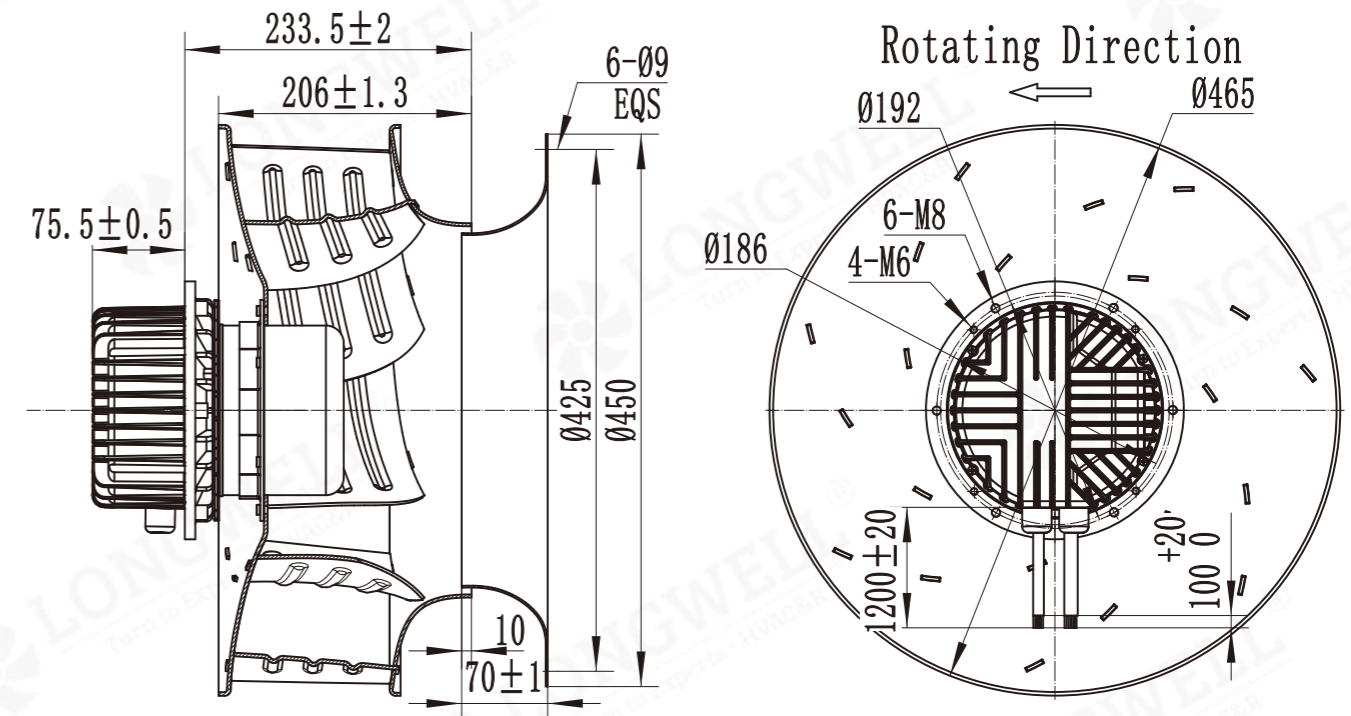


## Technical Specifications

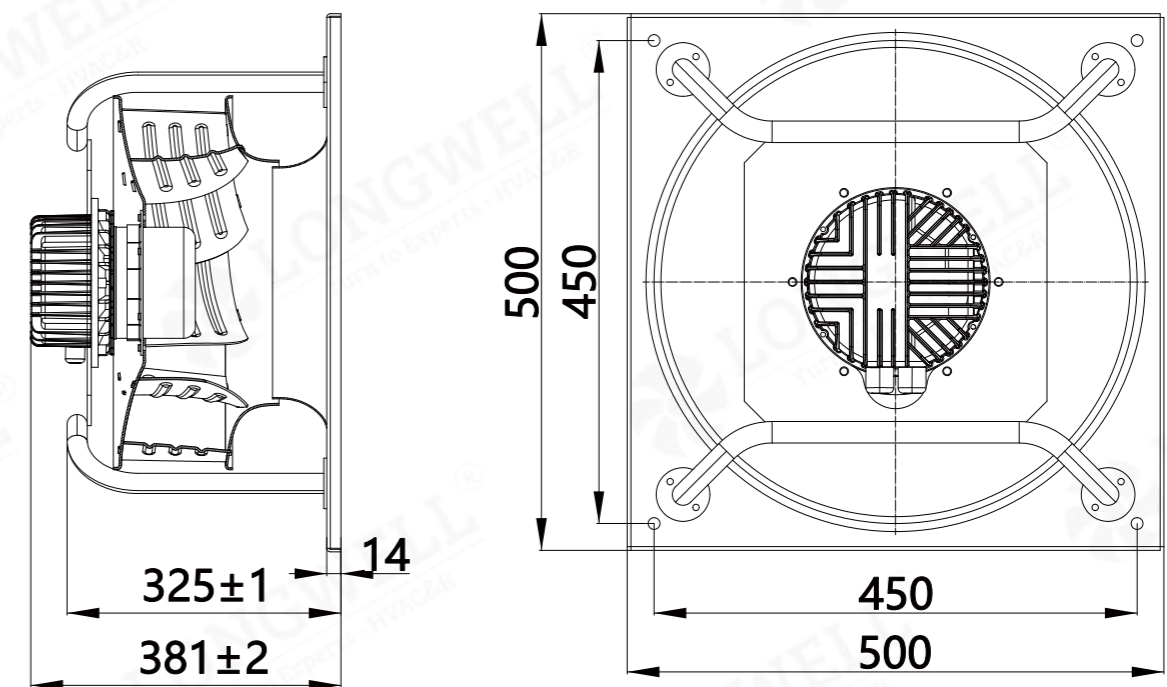
Model	Voltage (V)	Input Power (W)	Current (A)	Air Volume (m³/h)	Static Pressure (Pa)	Speed (RPM)	Noise [dB(A)]
LWBE3G450-138PT-04	400	910	3.4	7828	824	1720	/



## LWBE3G450-138NT-08 (without bracket)



## LWBE3G450-138PT-04 (with bracket)



# LWBE-450 Serie



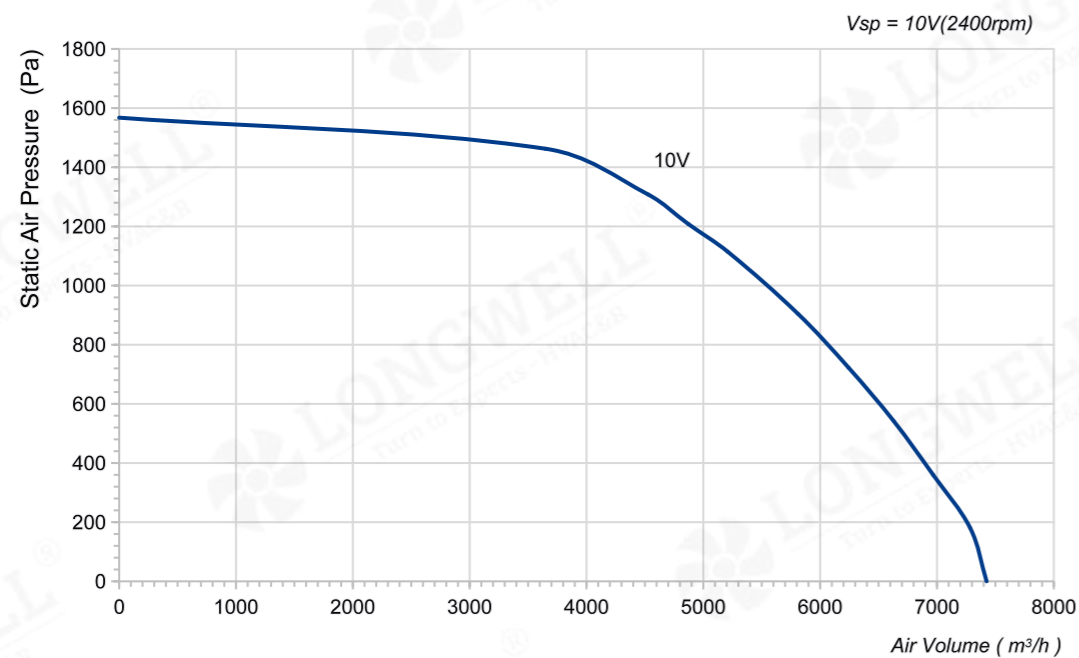
## Product Characteristic

- Impeller Material: Aluminum Alloy
- Supply Voltage: 400V,50/60Hz
- Mode of Operation: S1
- Protection Class: IP54
- Insulation Class: F
- Operation Temperature: -25 C ~+60 C
- Technical Feature: Control input 0-10VDC/PWM, Tach output, Locked-Rotor protection, Reverse Polarity Over-voltage protection, Soft Start Protection.

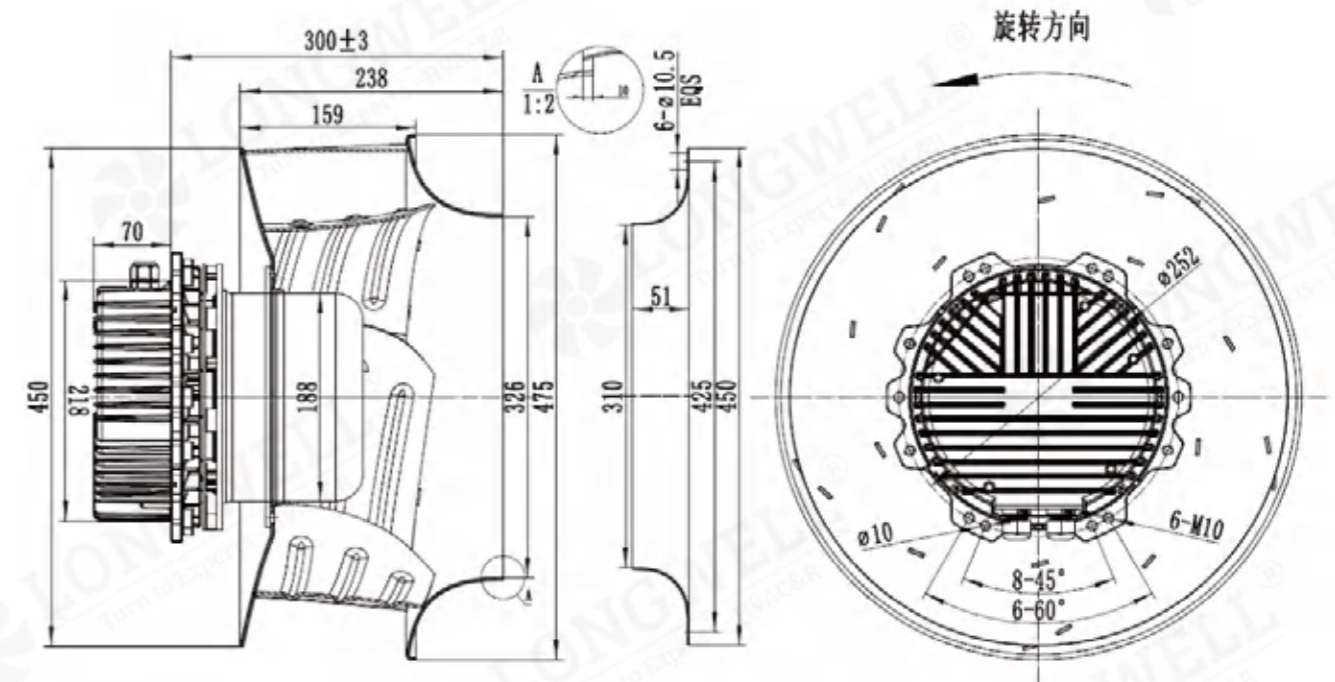


## Technical Specifications

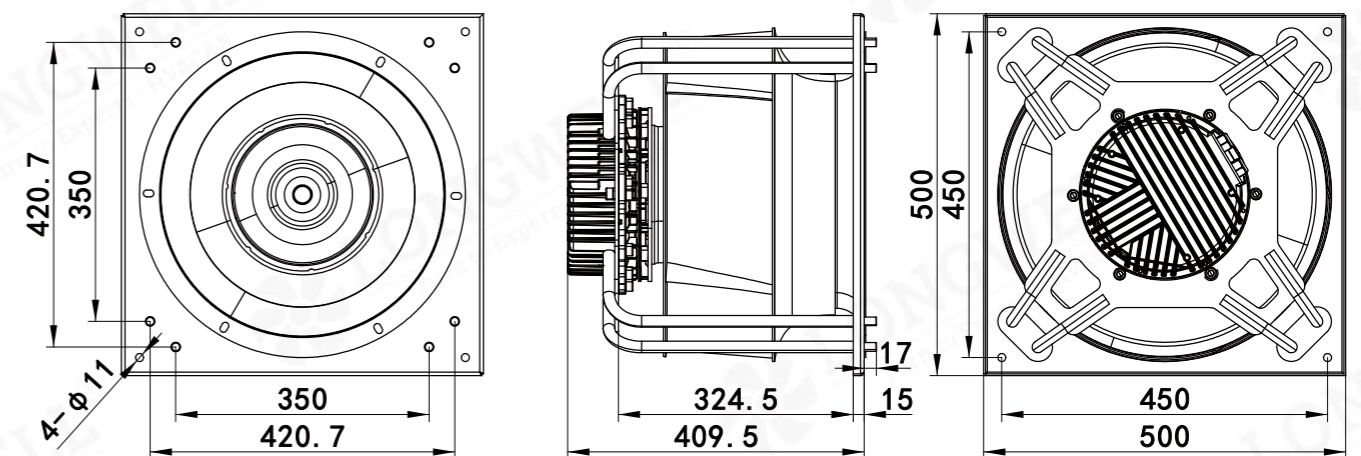
Model	Voltage (V)	Input Power (W)	Current (A)	Air Volume (m³/h)	Static Pressure (Pa)	Speed (RPM)	Noise [dB(A)]
LWBE3G450-188PT-07	400	1590	3.45	7425	1568	2400	/



## LWBE3G450-188NT-15 (without bracket)



## LWBE3G450-188PT-07 (with bracket)



# LWBE-450 Serie



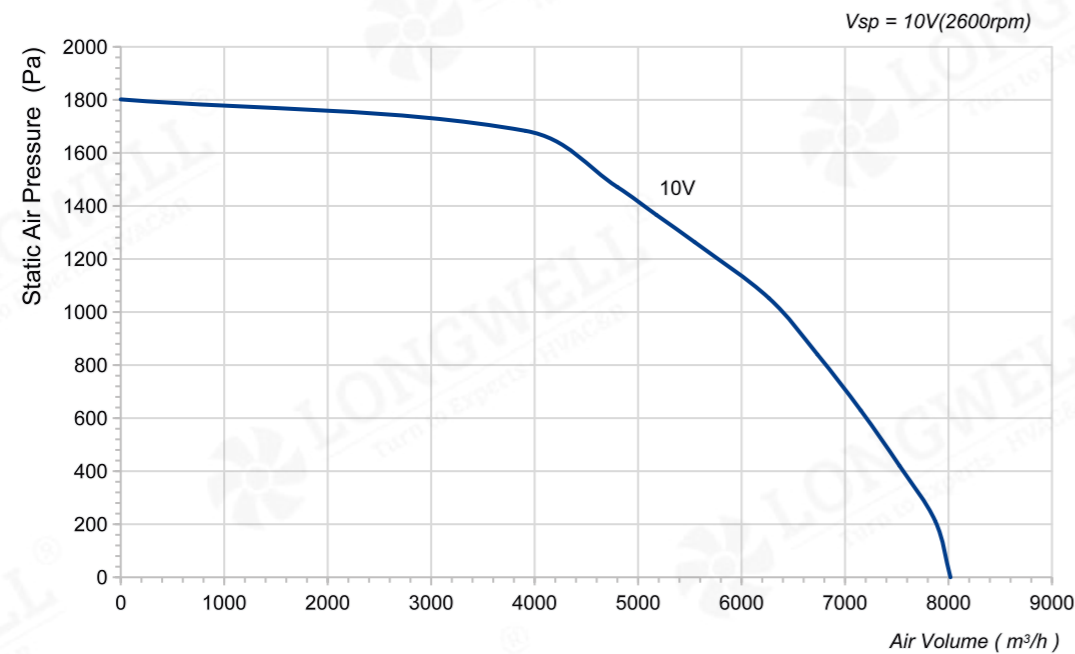
## Product Characteristic

- Impeller Material: Aluminum Alloy
- Supply Voltage: 400V,50/60Hz
- Mode of Operation: S1
- Protection Class: IP54
- Insulation Class: F
- Operation Temperature: -25 C ~+60 C
- Technical Feature: Control input 0-10VDC/PWM, Tach output, Locked-Rotor protection, Reverse Polarity Over-voltage protection, Soft Start Protection.

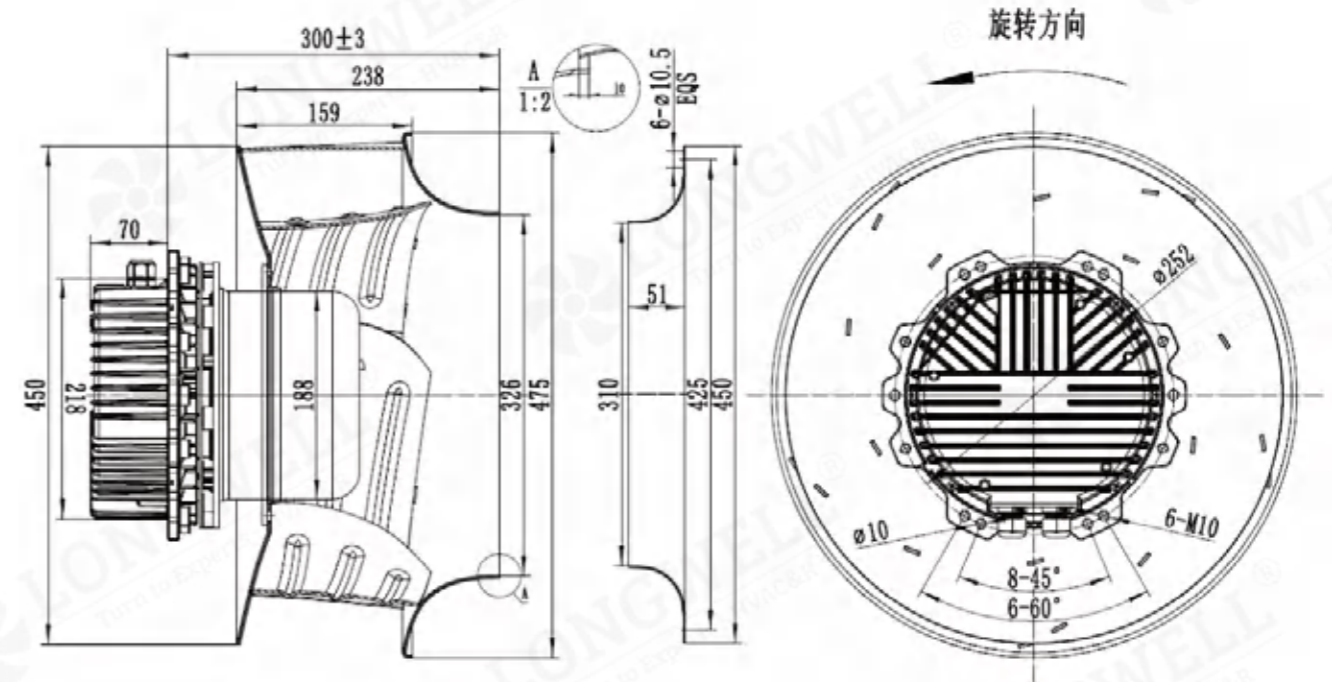


## Technical Specifications

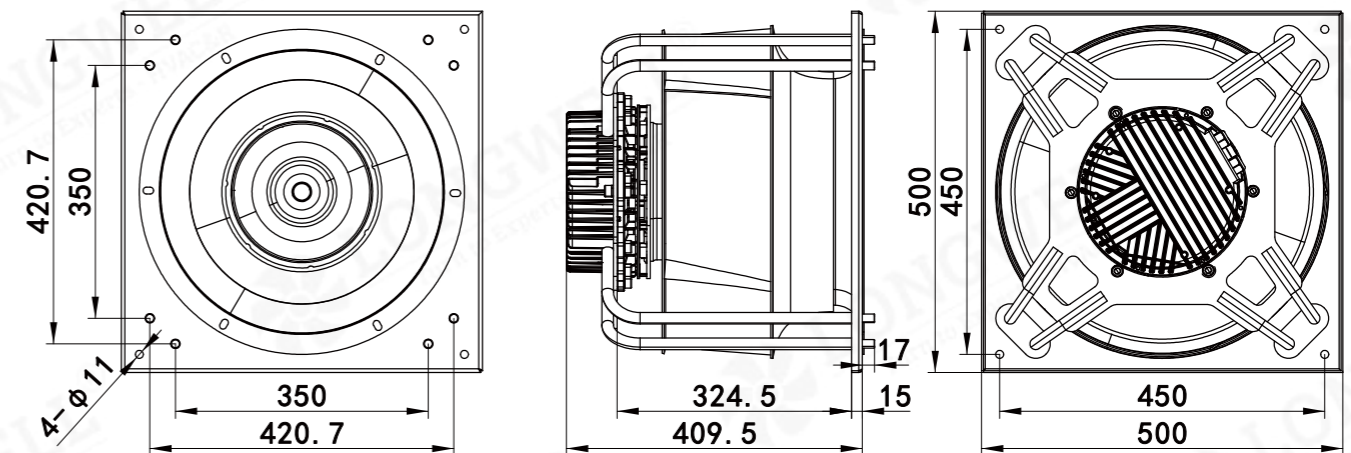
Model	Voltage (V)	Input Power (W)	Current (A)	Air Volume (m³/h)	Static Pressure (Pa)	Speed (RPM)	Noise [dB(A)]
LWBE3G450-188PT-08	400	2060	4.2	8019	1802	2600	/



## LWBE3G450-188NT-16 (without bracket)



## LWBE3G450-188PT-08 (with bracket)



# LWBE-450 Serie



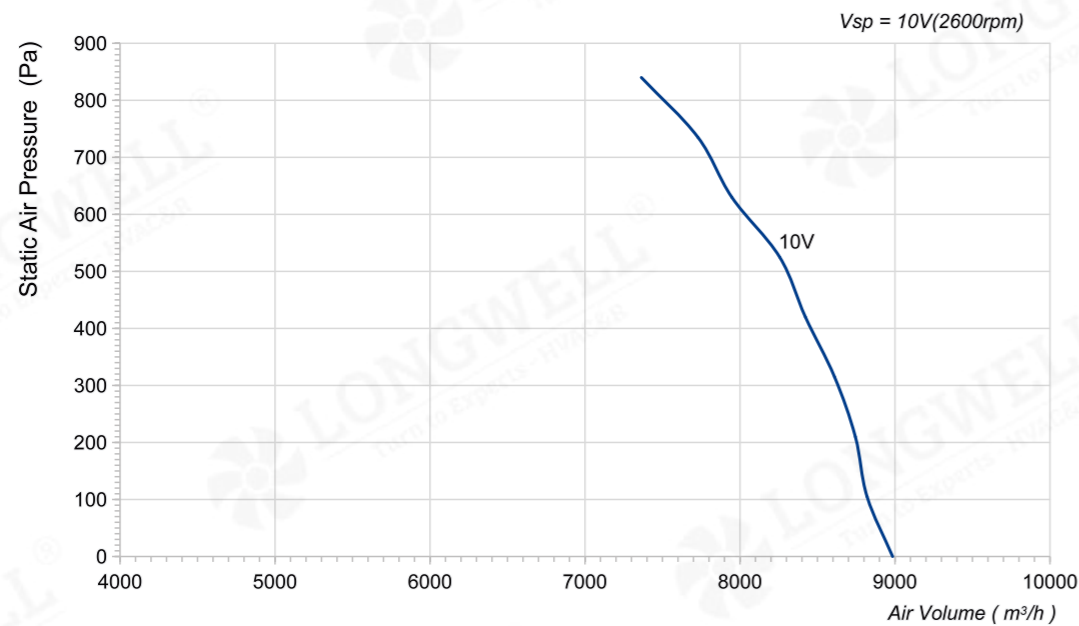
## Product Characteristic

- Impeller Material: Aluminum Alloy
- Supply Voltage: 400V,50/60Hz
- Mode of Operation: S1
- Protection Class: IP54
- Insulation Class: F
- Operation Temperature: -25 C ~+60 C
- Technical Feature: Control input 0-10VDC/PWM, Tach output, Locked-Rotor protection, Reverse Polarity Over-voltage protection, Soft Start Protection.

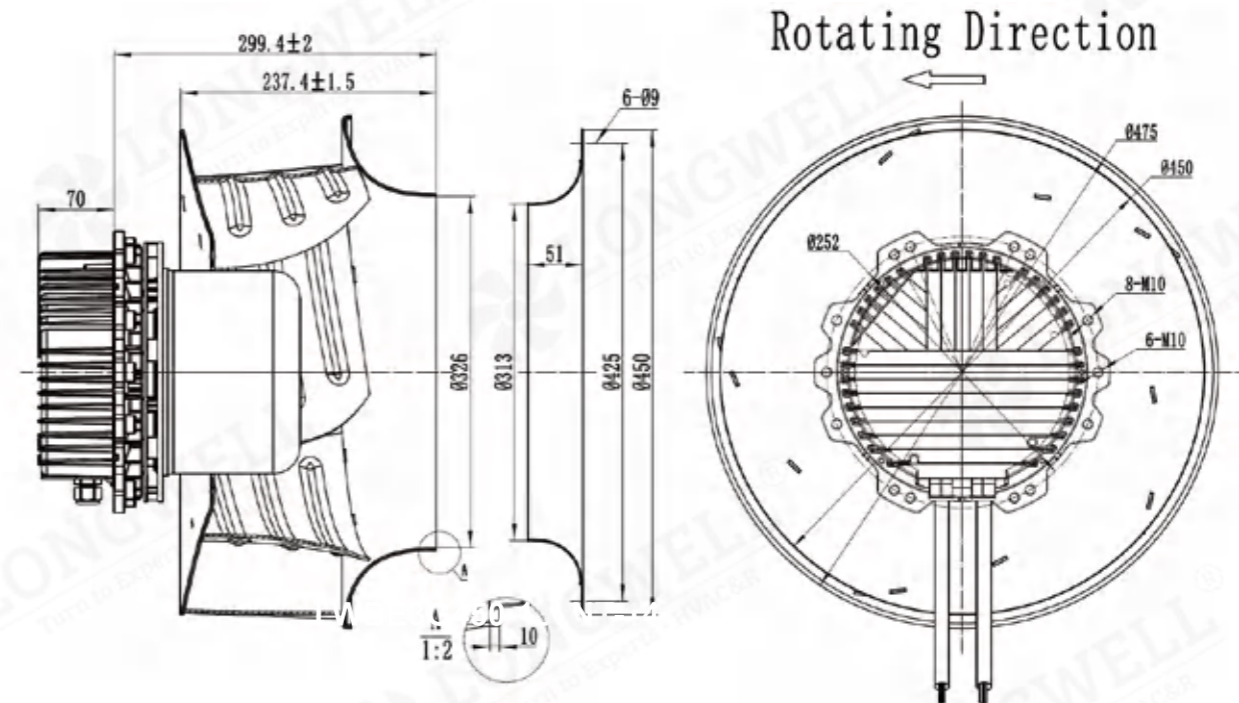


## Technical Specifications

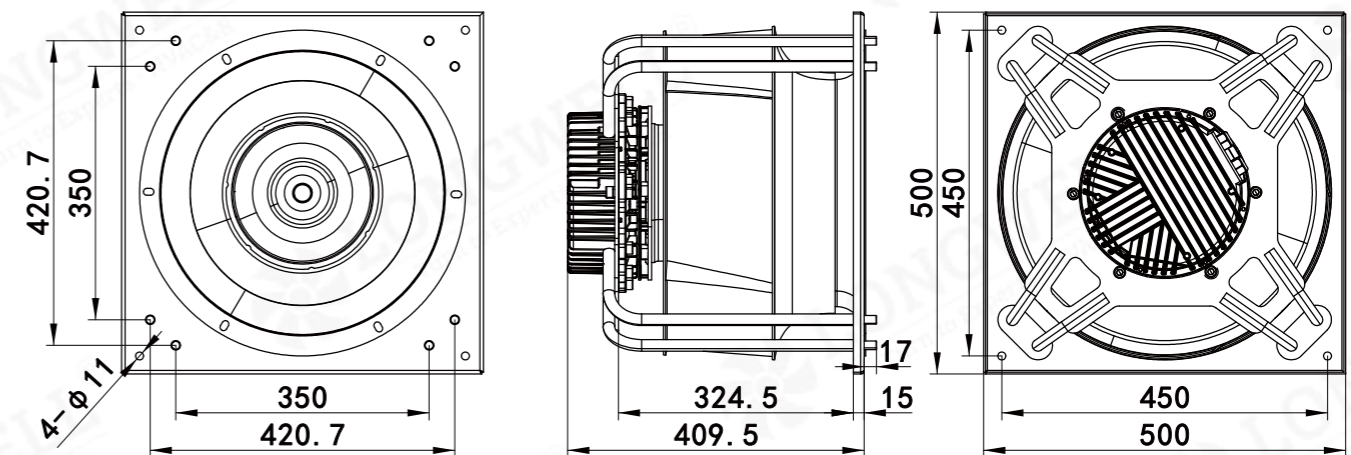
Model	Voltage (V)	Input Power (W)	Current (A)	Air Volume (m³/h)	Static Pressure (Pa)	Speed (RPM)	Noise [dB(A)]
LWBE3G450-188PT-16	400	2400	5.2	8985	840	2600	/



## LWBE3G450-188NT-14 (without bracket)



## LWBE3G450-188PT-16 (with bracket)



# LWBE-450 Serie



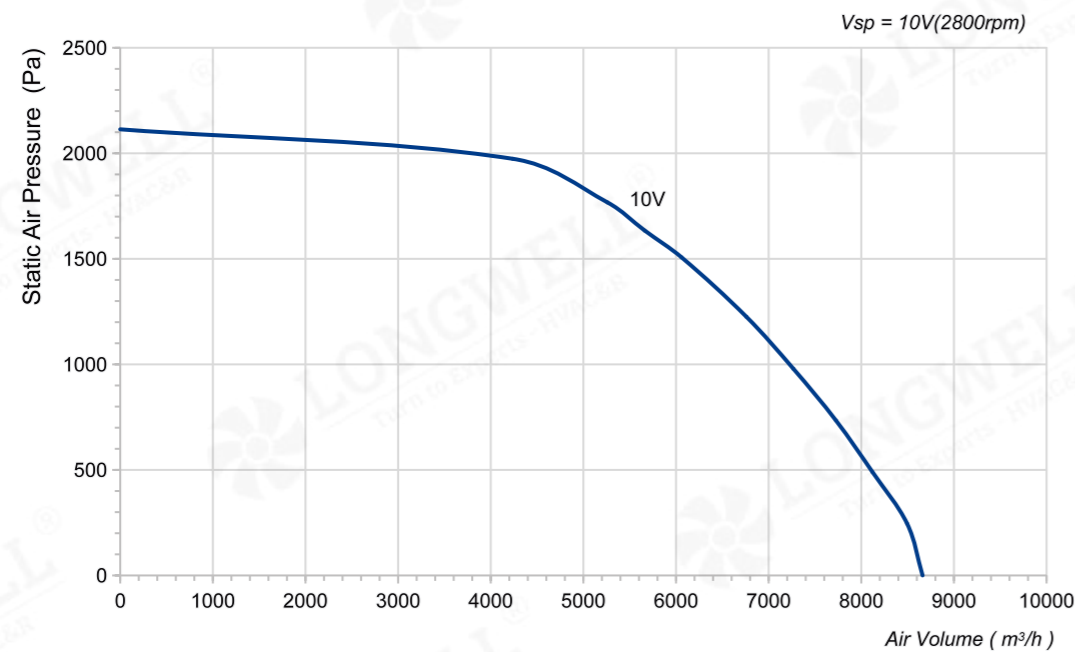
## Product Characteristic

- Impeller Material: Aluminum Alloy
- Supply Voltage: 400V,50/60Hz
- Mode of Operation: S1
- Protection Class: IP54
- Insulation Class: F
- Operation Temperature: -25 C ~+60 C
- Technical Feature: Control input 0-10VDC/PWM, Tach output, Locked-Rotor protection, Reverse Polarity Over-voltage protection, Soft Start Protection.

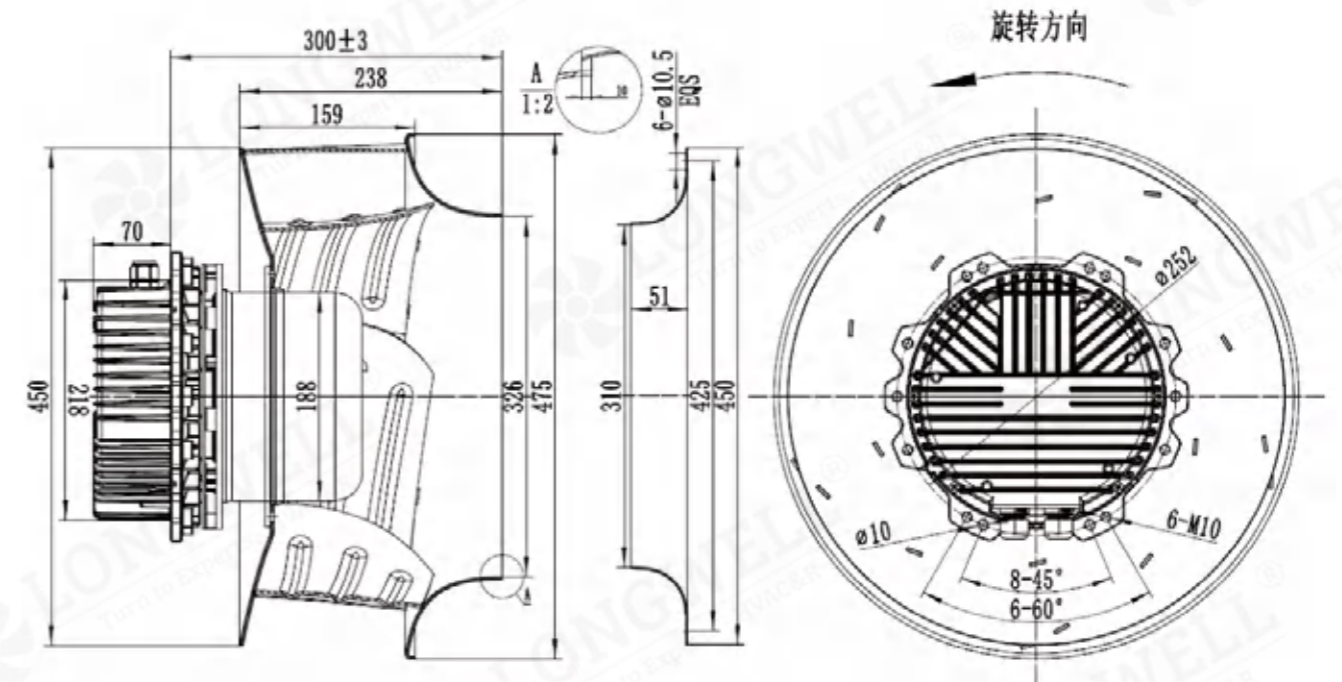


## Technical Specifications

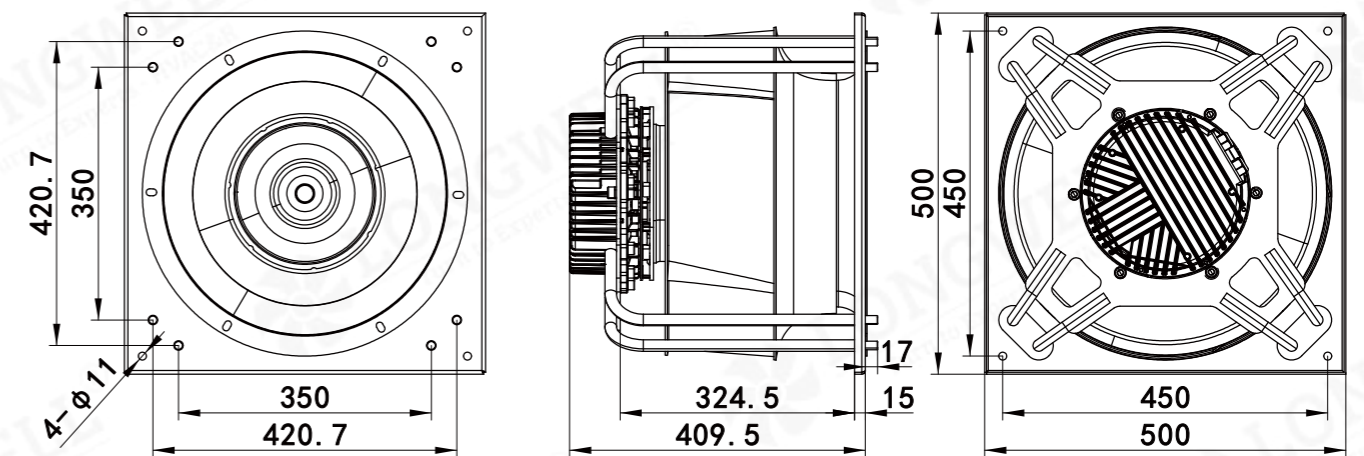
Model	Voltage (V)	Input Power (W)	Current (A)	Air Volume (m³/h)	Static Pressure (Pa)	Speed (RPM)	Noise [dB(A)]
LWBE3G450-188PT-09	400	2595	5.3	8661	2114	2800	/



## LWBE3G450-188NT-17 (without bracket)



## LWBE3G450-188PT-09 (with bracket)



# LWBE-500 Serie



## Product Characteristic

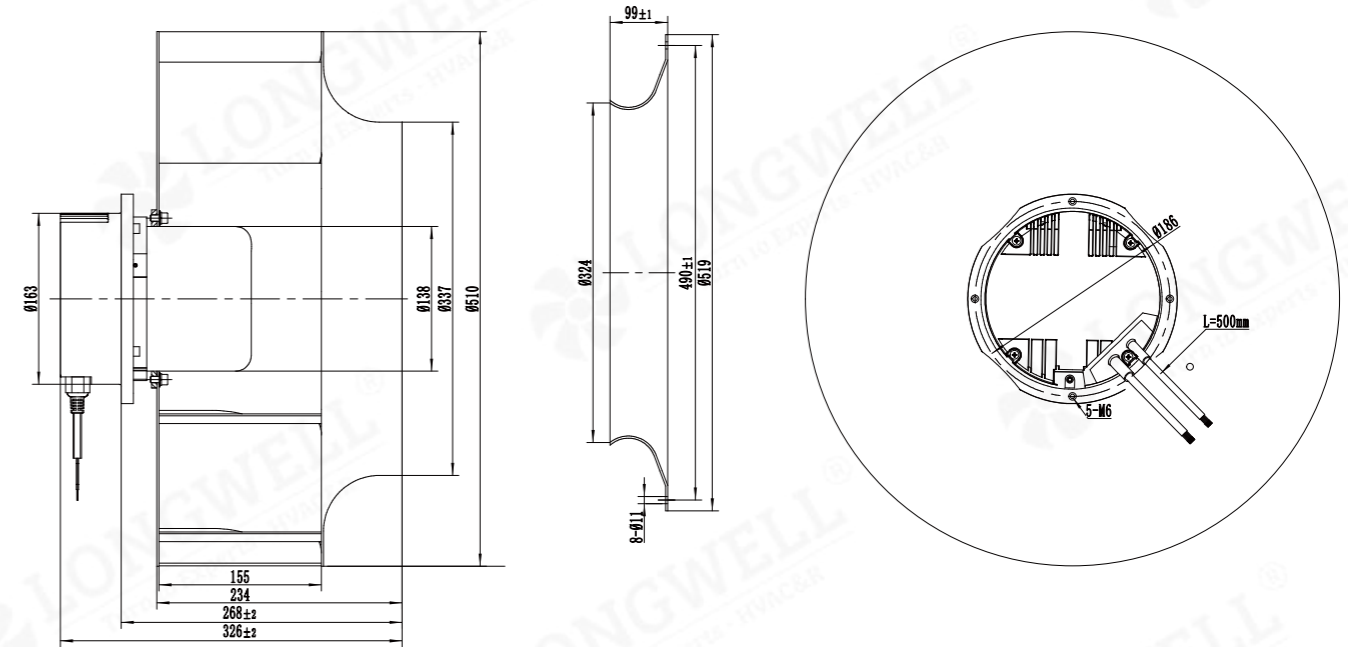
- Impeller Material: Aluminum Alloy
- Supply Voltage: 400V,50/60Hz
- Mode of Operation: S1
- Protection Class: IP44
- Insulation Class: F
- Operation Temperature: -25 C ~+60 C
- Technical Feature: Control input 0-10VDC/PWM, Tach output, Locked-Rotor protection, Reverse Polarity Over-voltage protection, Soft Start Protection.



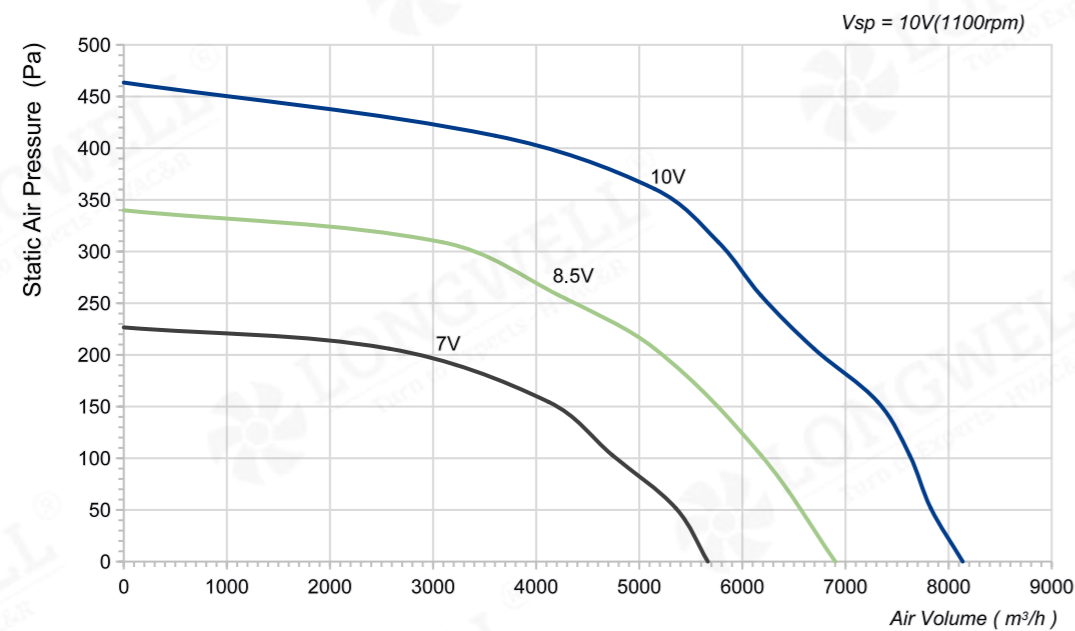
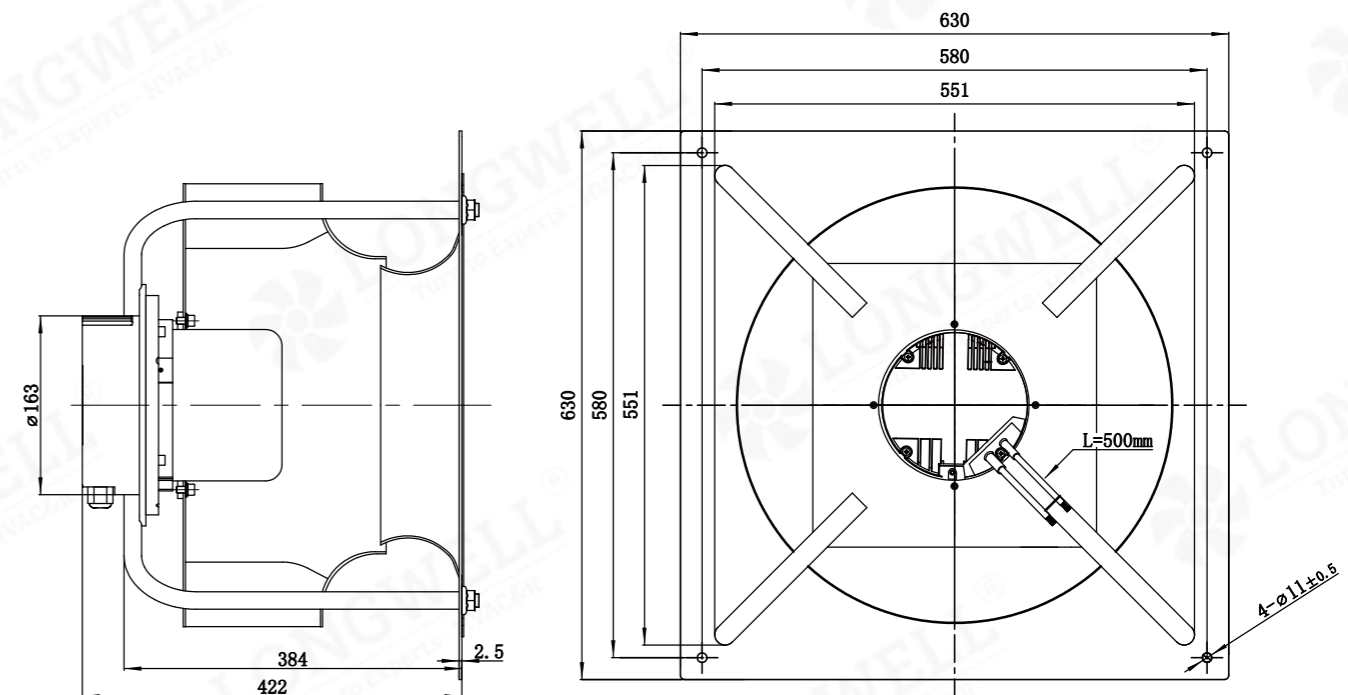
## Technical Specifications

Model	Voltage (V)	Input Power (W)	Current (A)	Air Volume (m³/h)	Static Pressure (Pa)	Speed (RPM)	Noise [dB(A)]
LWBE3G500-138PT-08	400	870	1.46	8137	464	1100	71

### LWBE3G500-138NT-13 (without bracket)



### LWBE3G500-138PT-08 (with bracket)



# LWBE-500 Serie

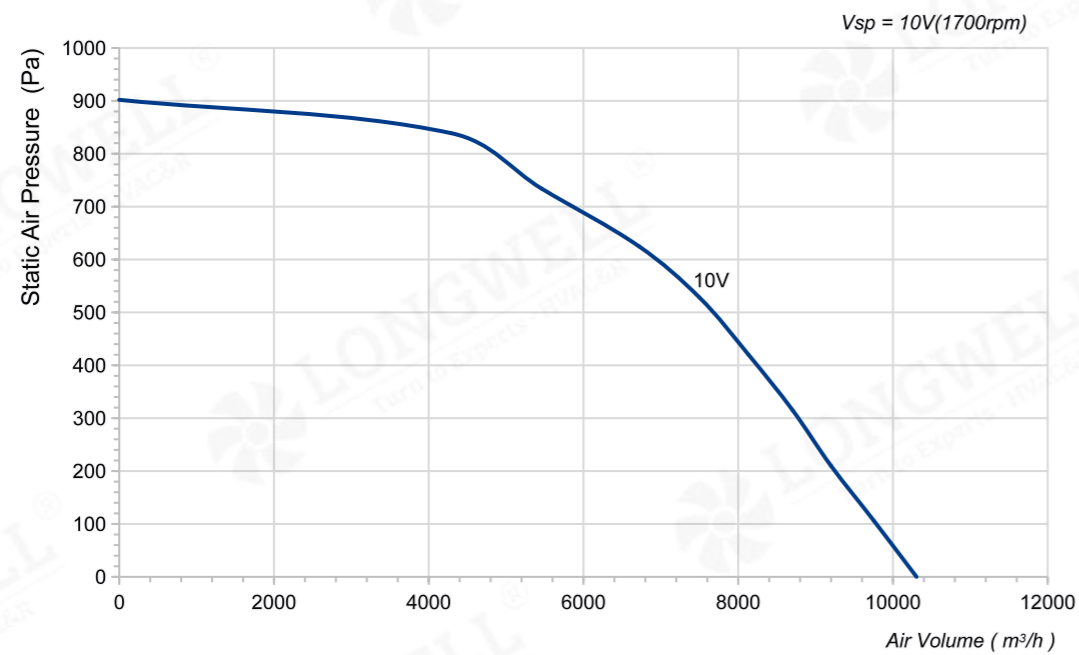
## Product Characteristic

- Impeller Material: Aluminum Alloy
- Supply Voltage: 400V,50/60Hz
- Mode of Operation: S1
- Protection Class: IP54
- Insulation Class: F
- Operation Temperature: -25 C ~+60 C
- Technical Feature: Control input 0-10VDC/PWM, Tach output, Locked-Rotor protection, Reverse Polarity Over-voltage protection, Soft Start Protection.

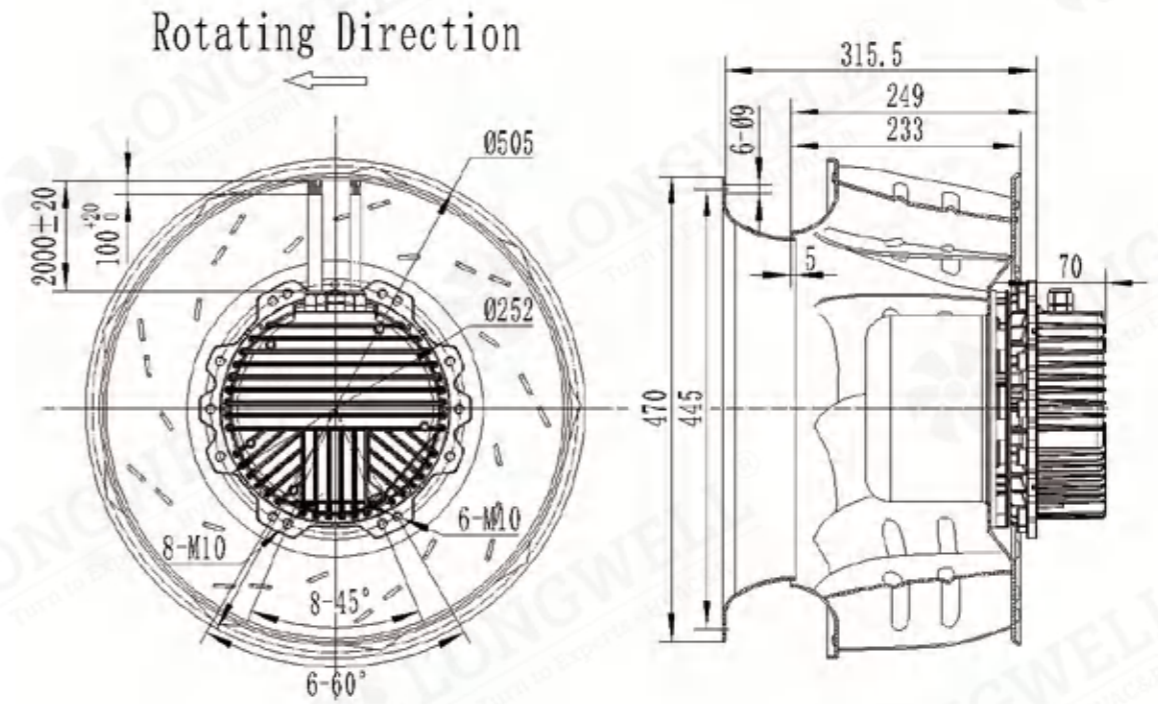


## Technical Specifications

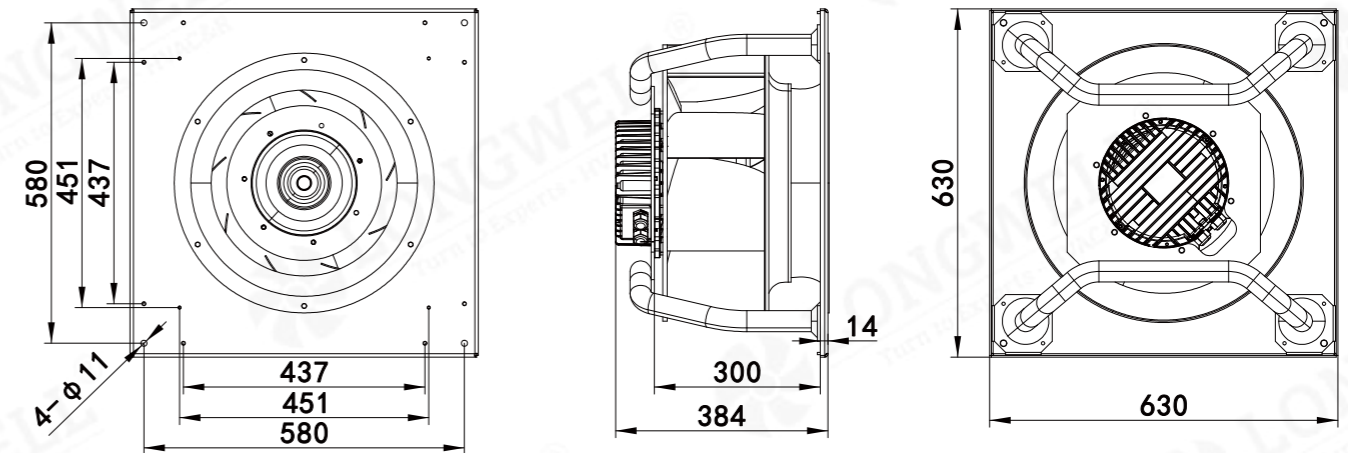
Model	Voltage (V)	Input Power (W)	Current (A)	Air Volume (m³/h)	Static Pressure (Pa)	Speed (RPM)	Noise [dB(A)]
LWBE3G500-188PT-07	400	1900	4.0	10305	903	1705	/



## LWBE3G500-188NT-14 (without bracket)



## LWBE3G500-188PT-07 (with bracket)



# LWBE-500 Serie



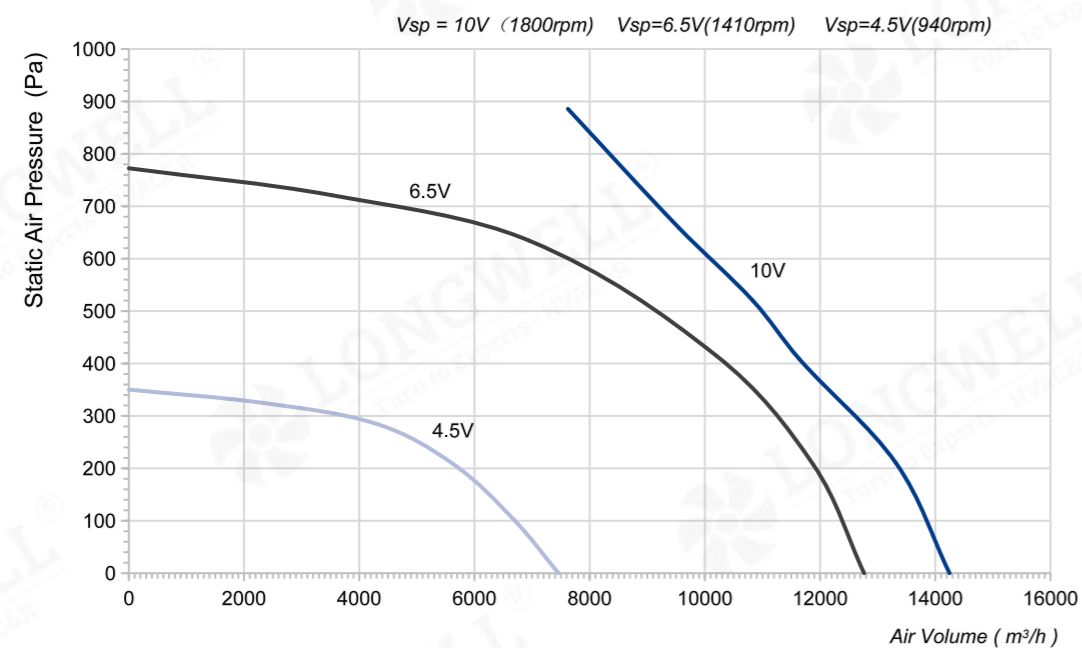
## Product Characteristic

- Impeller Material: Aluminum Alloy
- Supply Voltage: 400V,50/60Hz
- Mode of Operation: S1
- Protection Class: IP54
- Insulation Class: F
- Operation Temperature: -25 C ~ +60 C
- Technical Feature: Control input 0-10VDC/PWM, Tach output, Locked-Rotor protection, Reverse Polarity Over-voltage protection, Soft Start Protection.

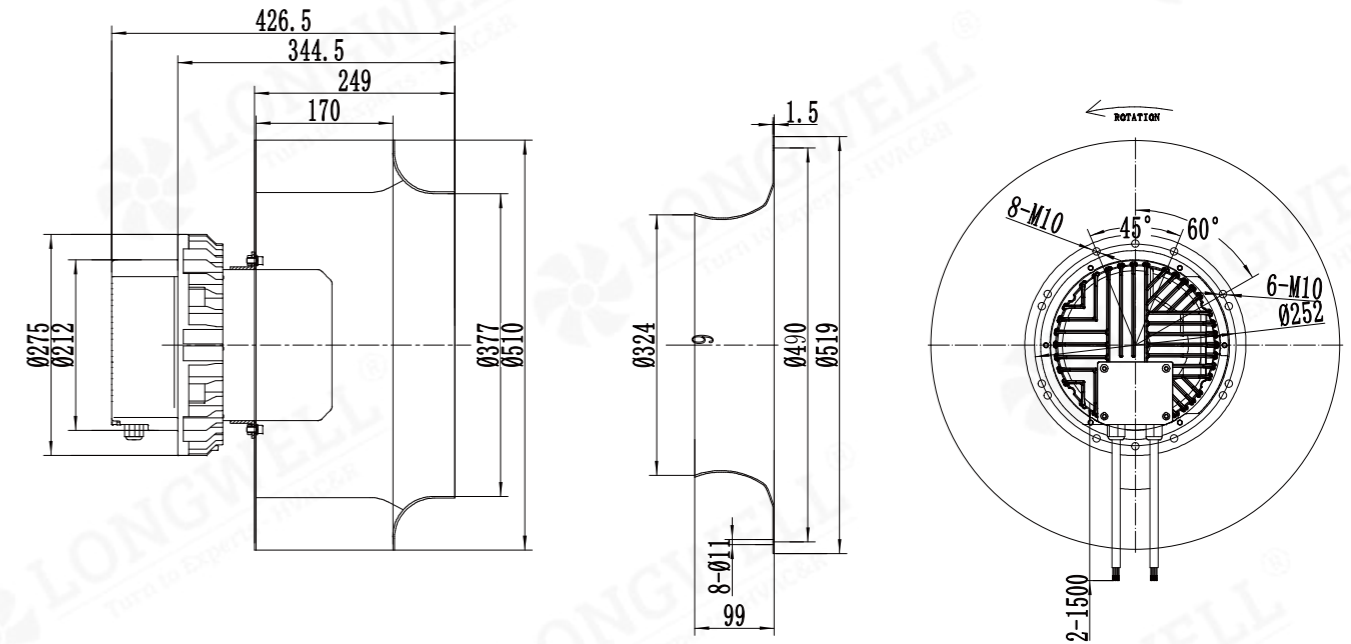


## Technical Specifications

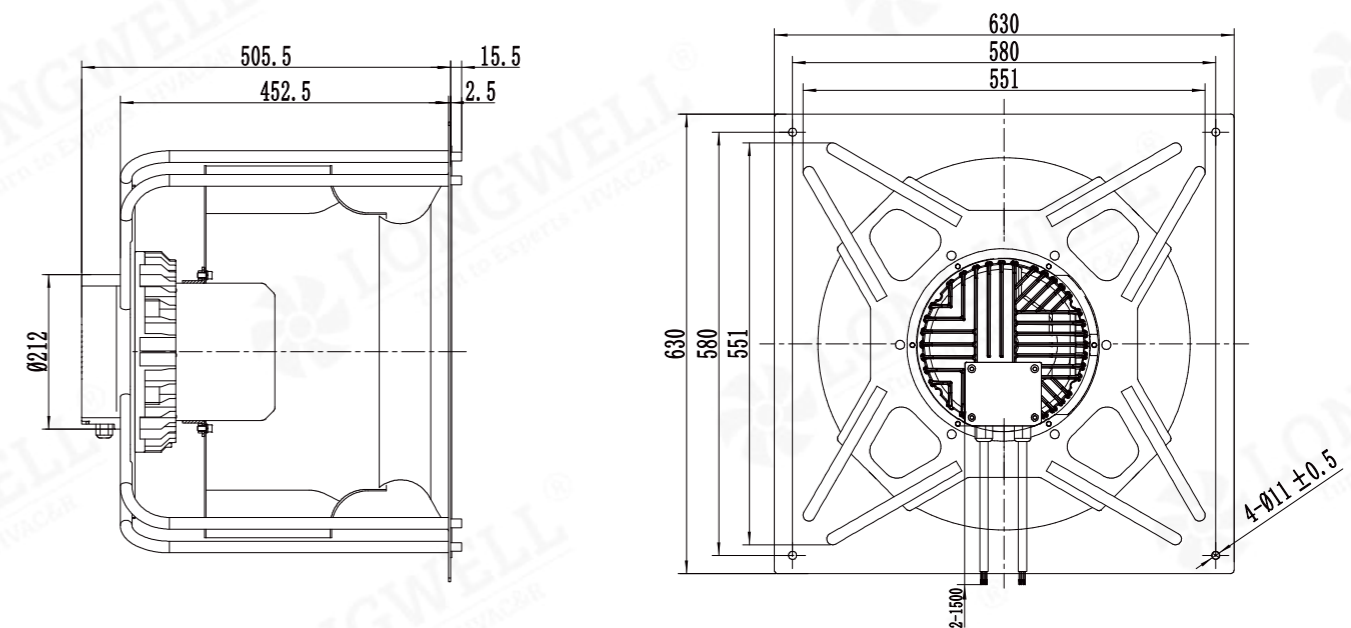
Model	Voltage (V)	Input Power (W)	Current (A)	Air Volume (m³/h)	Static Pressure (Pa)	Speed (RPM)	Noise [dB(A)]
LWBE3G500-188PT-04	400	3000	4.95	14214	886	1800	89



## LWBE3G500-188NT-08 (without bracket)



## LWBE3G500-188PT-04 (with bracket)



# LWBE-500 Serie



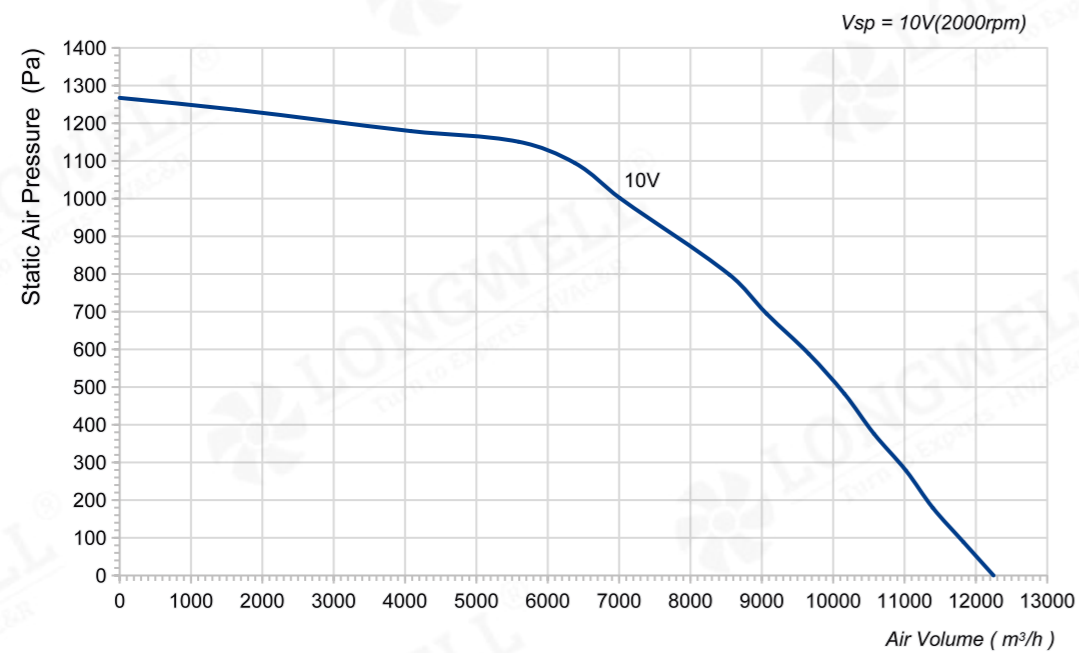
## Product Characteristic

- Impeller Material: Aluminum Alloy
- Supply Voltage: 400V,50/60Hz
- Mode of Operation: S1
- Protection Class: IP54
- Insulation Class: F
- Operation Temperature: -25 C ~+60 C
- Technical Feature: Control input 0-10VDC/PWM, Tach output, Locked-Rotor protection, Reverse Polarity Over-voltage protection, Soft Start Protection.

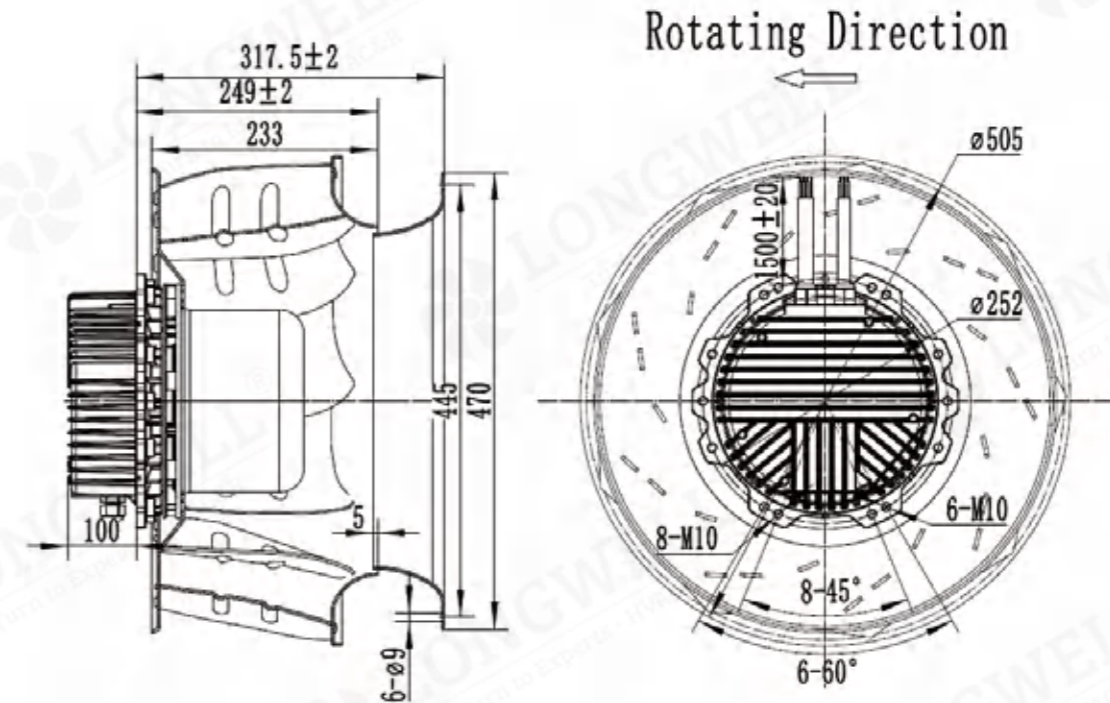


## Technical Specifications

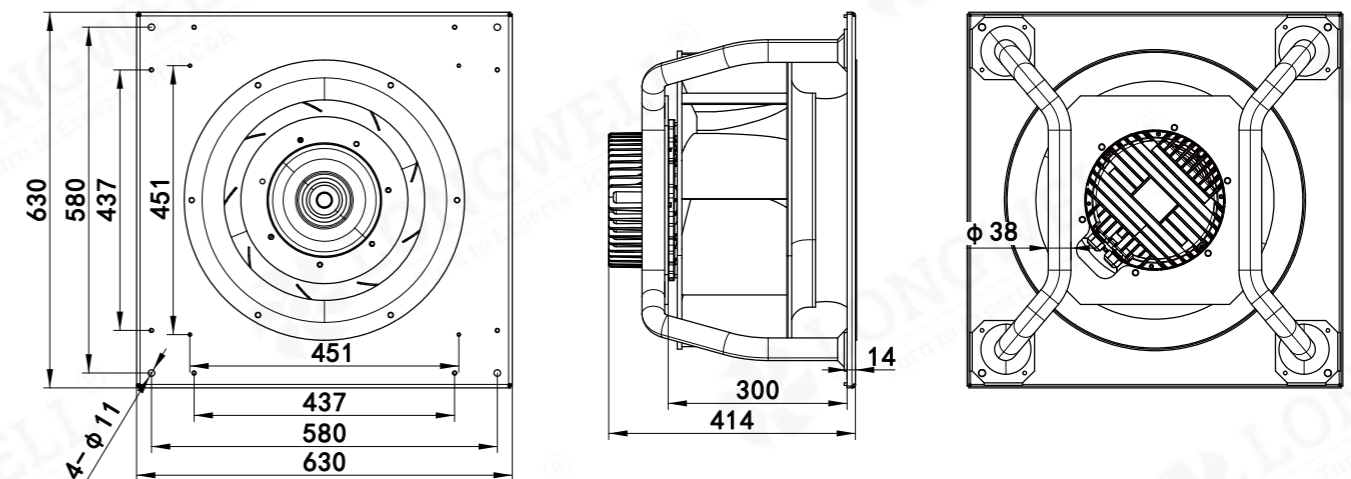
Model	Voltage (V)	Input Power (W)	Current (A)	Air Volume (m³/h)	Static Pressure (Pa)	Speed (RPM)	Noise [dB(A)]
LWBE3G500-188PT-02	400	3160	6.5	12243	1265	2000	/



## LWBE3G500-188NT-09 (without bracket)



## LWBE3G500-188PT-02 (with bracket)



# LWBE-500 Serie

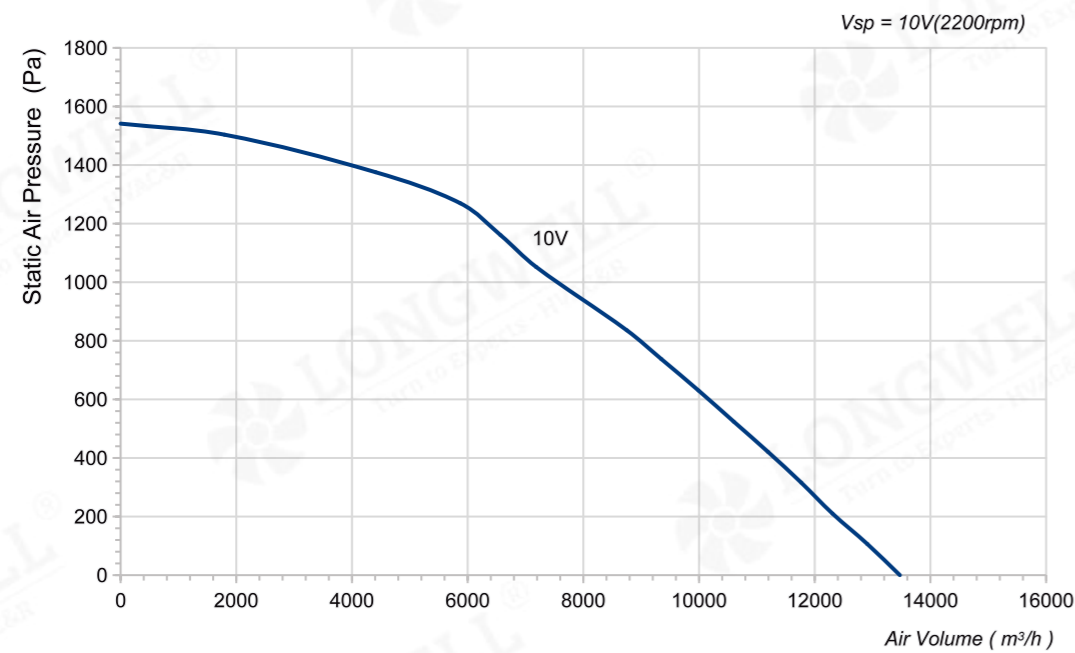
## Product Characteristic

- Impeller Material: Aluminum Alloy
- Supply Voltage: 400V,50/60Hz
- Mode of Operation: S1
- Protection Class: IP54
- Insulation Class: F
- Operation Temperature: -25 C ~+60 C
- Technical Feature: Control input 0-10VDC/PWM, Tach output, Locked-Rotor protection, Reverse Polarity Over-voltage protection, Soft Start Protection.

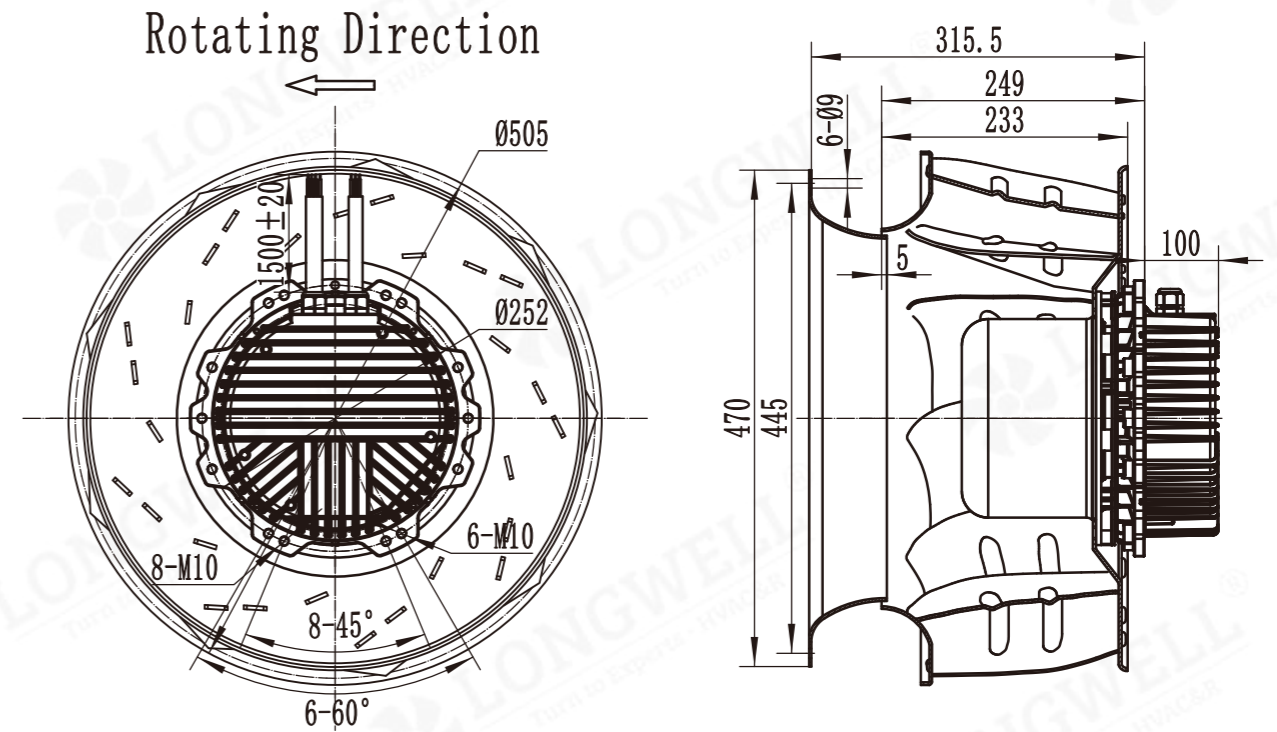


## Technical Specifications

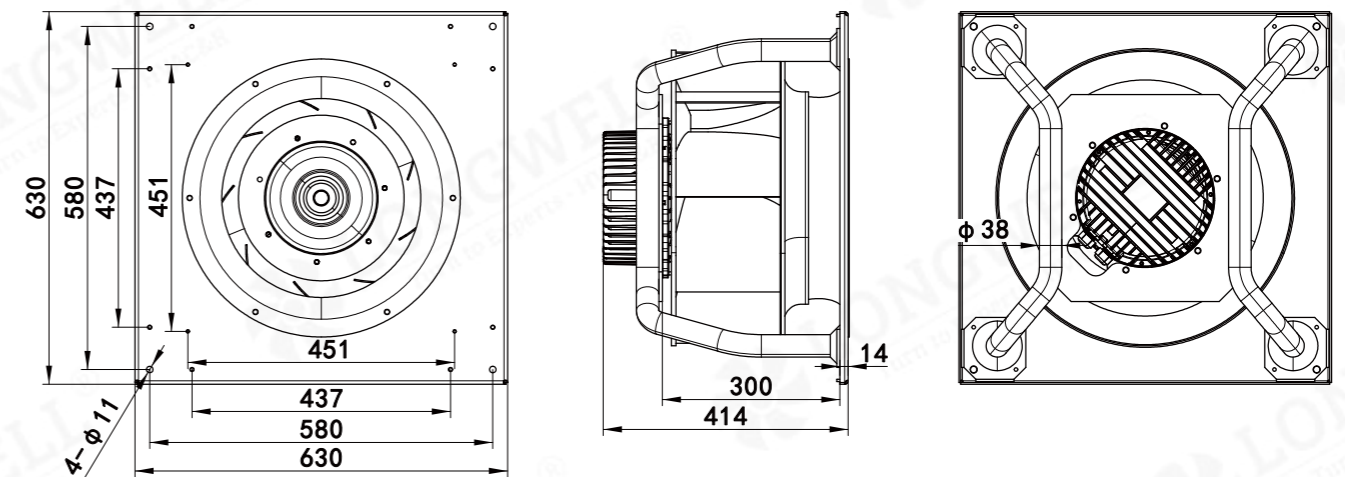
Model	Voltage (V)	Input Power (W)	Current (A)	Air Volume (m³/h)	Static Pressure (Pa)	Speed (RPM)	Noise [dB(A)]
LWBE3G500-188PT-05	400	4200	9.0	13472	1541	2200	/



## LWBE3G500-188NT-10 (without bracket)



## LWBE3G500-188PT-05 (with bracket)



# LWBE-560 Serie



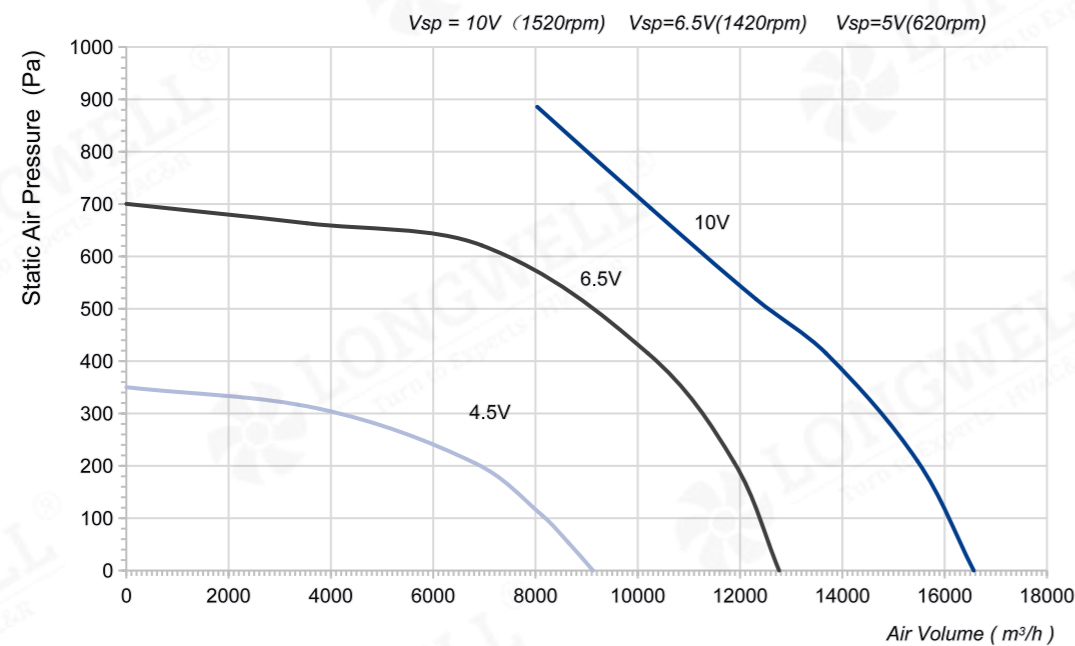
## Product Characteristic

- Impeller Material: Aluminum Alloy
- Supply Voltage: 400V,50/60Hz
- Mode of Operation: S1
- Protection Class: IP54
- Insulation Class: F
- Operation Temperature: -25 C ~+60 C
- Technical Feature: Control input 0-10VDC/PWM, Tach output, Locked-Rotor protection, Reverse Polarity Over-voltage protection, Soft Start Protection.

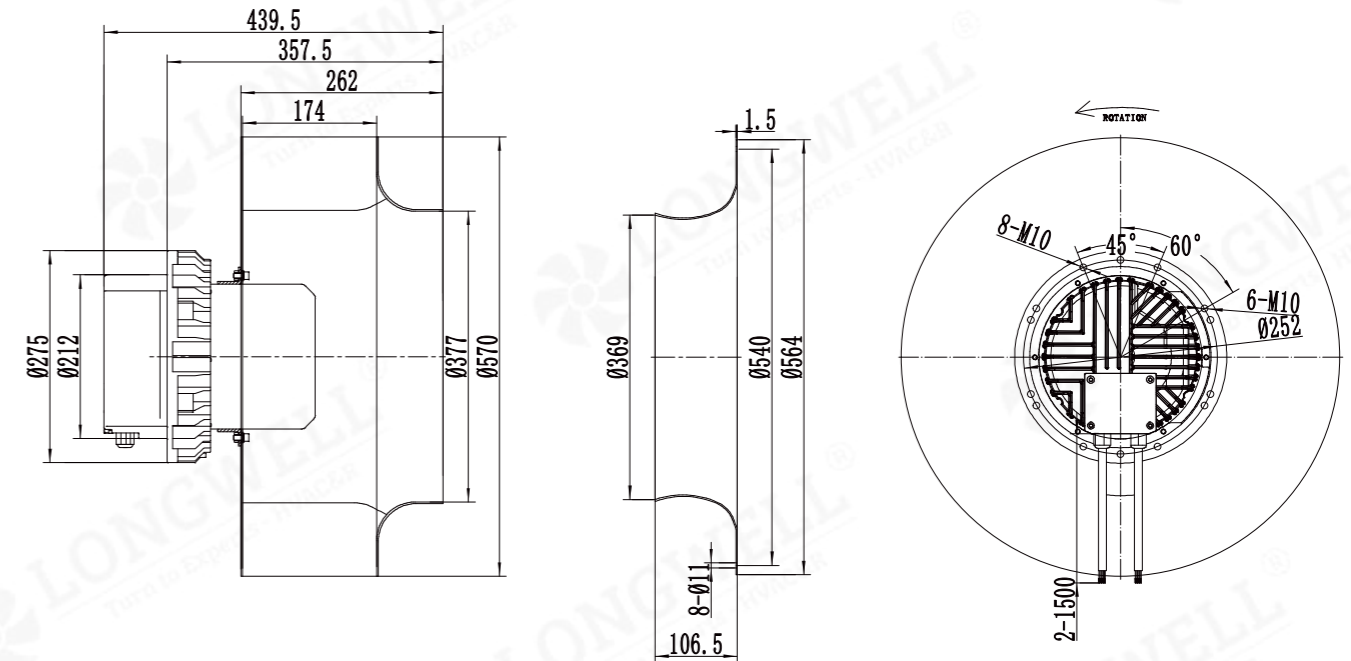


## Technical Specifications

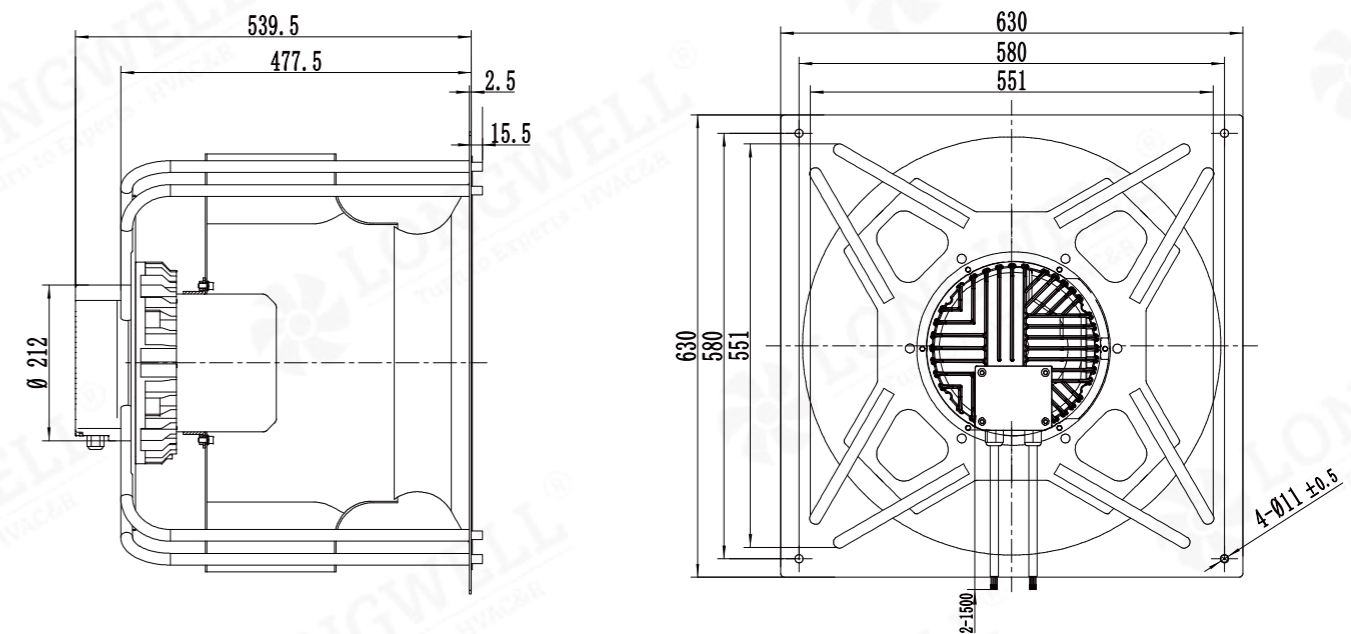
Model	Voltage (V)	Input Power (W)	Current (A)	Air Volume (m³/h)	Static Pressure (Pa)	Speed (RPM)	Noise [dB(A)]
LWBE3G560-188PT-02	400	2770	4.4	16480	886	1520	81



## LWBE3G560-188NT-09 (without bracket)



## LWBE3G560-188PT-02 (with bracket)



# LWBE-560 Serie



## Product Characteristic

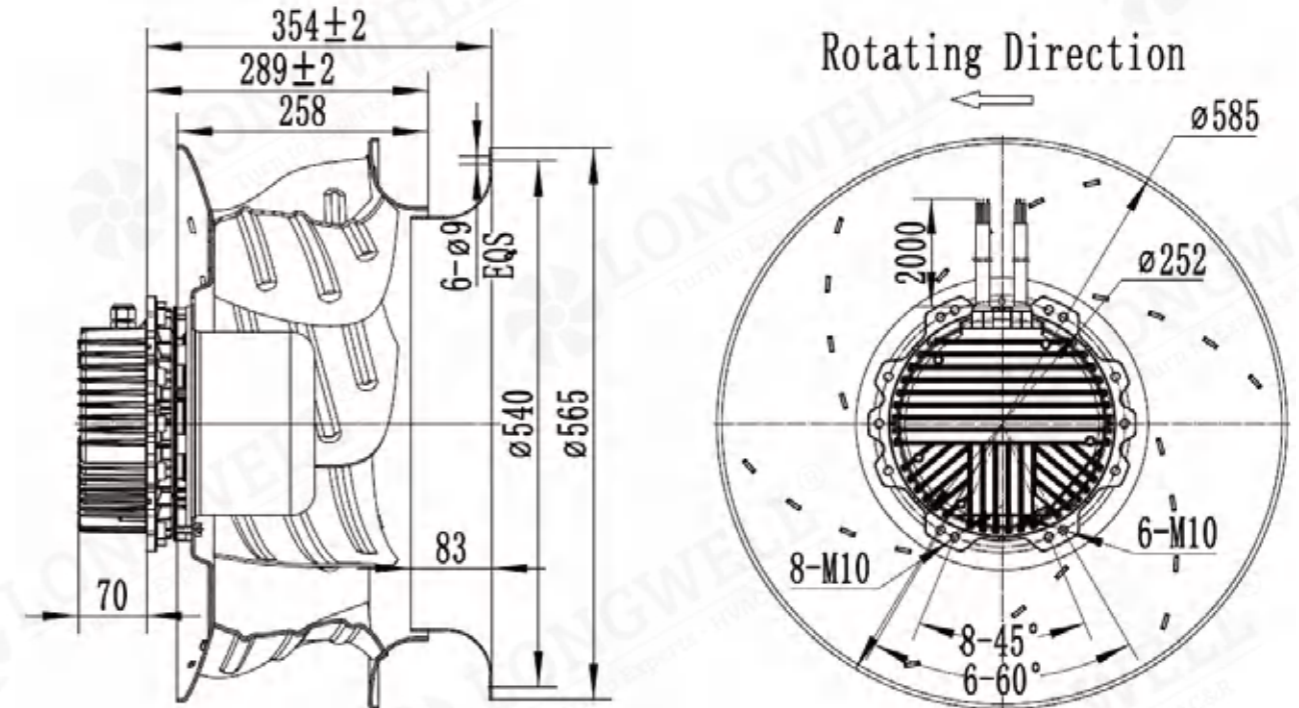
- Impeller Material: Aluminum Alloy
- Supply Voltage: 400V,50/60Hz
- Mode of Operation: S1
- Protection Class: IP54
- Insulation Class: F
- Operation Temperature: -25 C ~+60 C
- Technical Feature: Control input 0-10VDC/PWM, Tach output, Locked-Rotor protection, Reverse Polarity Over-voltage protection, Soft Start Protection.



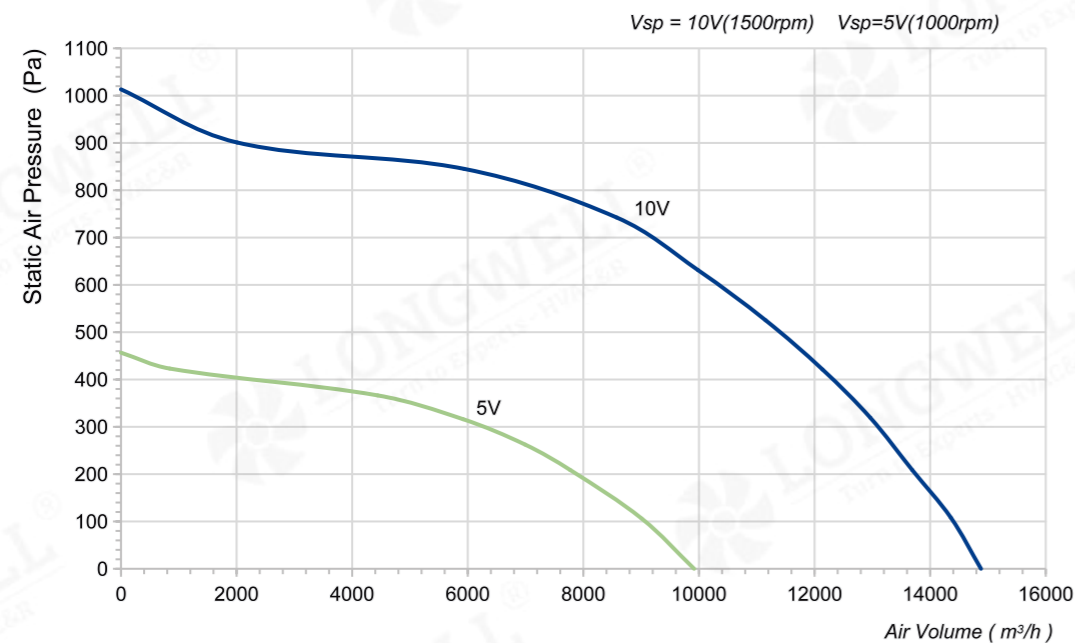
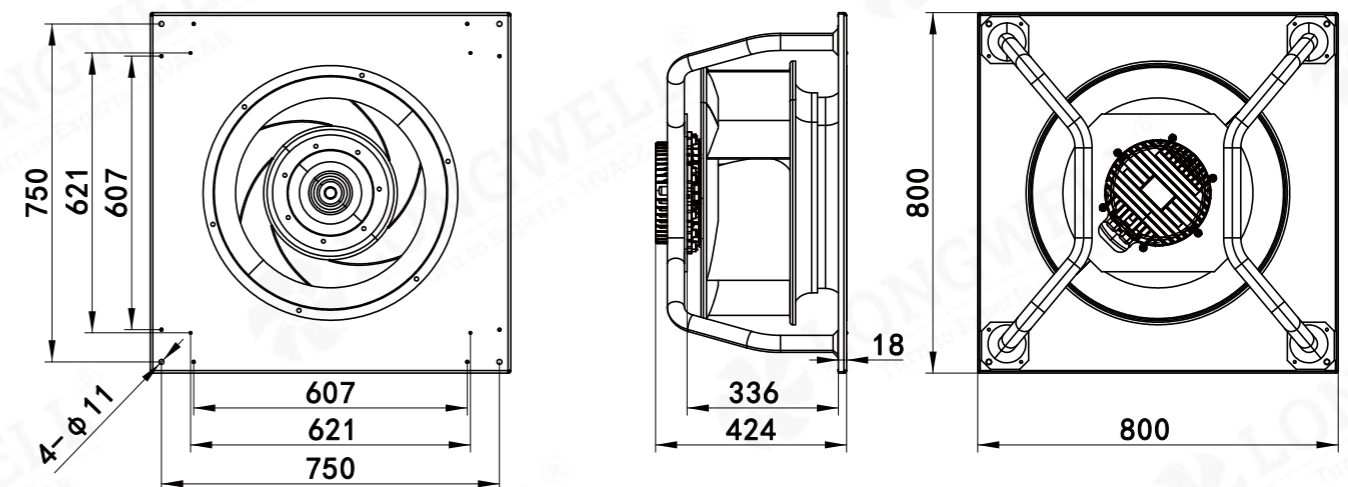
## Technical Specifications

Model	Voltage (V)	Input Power (W)	Current (A)	Air Volume (m³/h)	Static Pressure (Pa)	Speed (RPM)	Noise [dB(A)]
LWBE3G560-188PT-03	400	2420	5.3	14879	1013	1500	/

### LWBE3G560-188NT-10 (without bracket)



### LWBE3G560-188PT-03 (with bracket)



# LWBE-560 Serie



## Product Characteristic

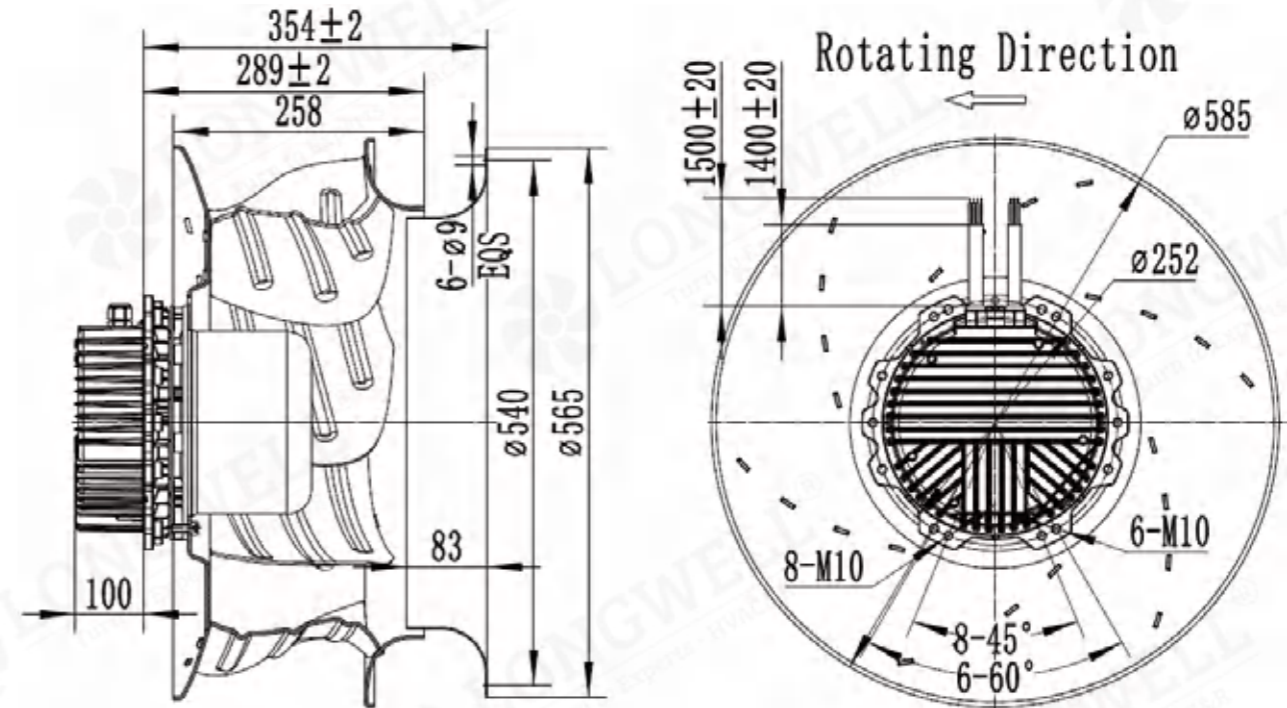
- Impeller Material: Aluminum Alloy
- Supply Voltage: 400V,50/60Hz
- Mode of Operation: S1
- Protection Class: IP54
- Insulation Class: F
- Operation Temperature: -25 C ~+60 C
- Technical Feature: Control input 0-10VDC/PWM, Tach output, Locked-Rotor protection, Reverse Polarity Over-voltage protection, Soft Start Protection.



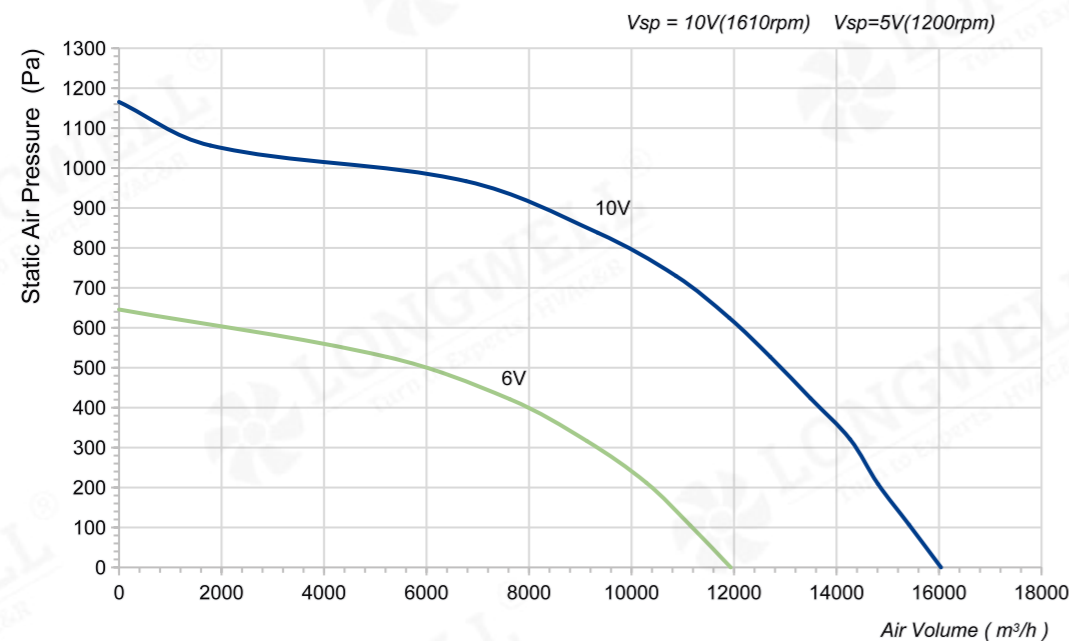
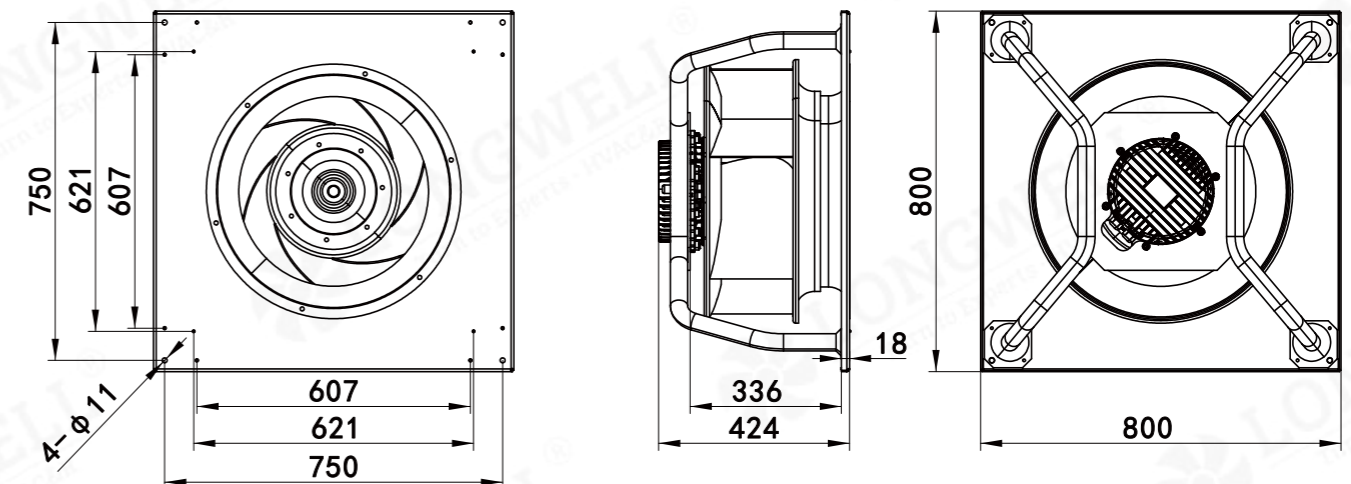
## Technical Specifications

Model	Voltage (V)	Input Power (W)	Current (A)	Air Volume (m³/h)	Static Pressure (Pa)	Speed (RPM)	Noise [dB(A)]
LWBE3G560-188PT-01	400	3300	8	16039	1166	1610	/

### LWBE3G560-188NT-01 (without bracket)



### LWBE3G560-188PT-01 (with bracket)



# LWBE-560 Serie



## Product Characteristic

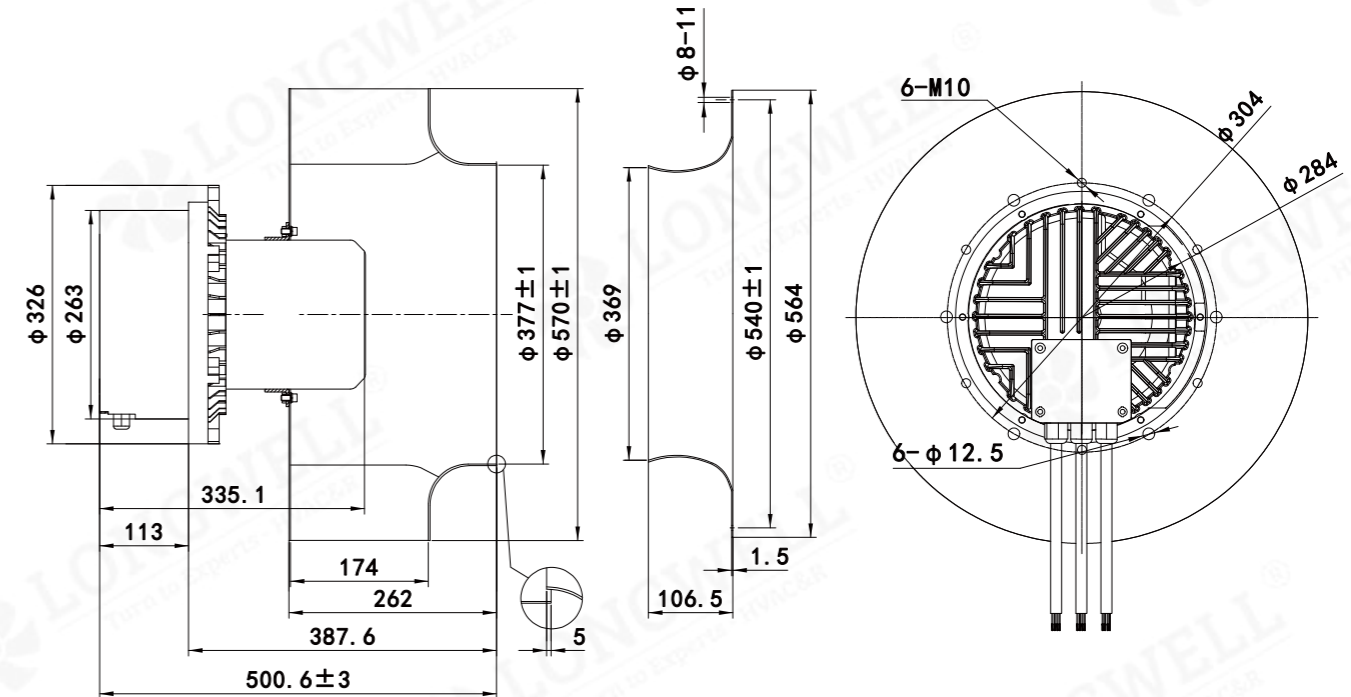
- Impeller Material: Aluminum Alloy
- Supply Voltage: 380V,50/60Hz
- Mode of Operation: S1
- Protection Class: IP54
- Insulation Class: F
- Operation Temperature: -25 C ~+60 C
- Technical Feature: Control input 0-10VDC/PWM, Tach output, Locked-Rotor protection, Reverse Polarity Over-voltage protection, Soft Start Protection.



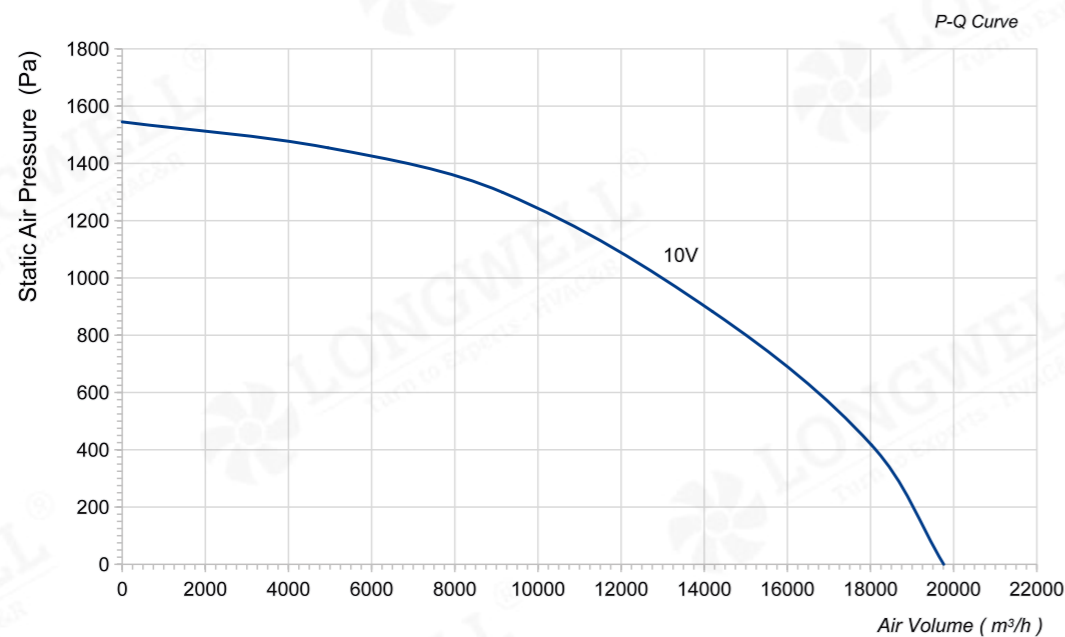
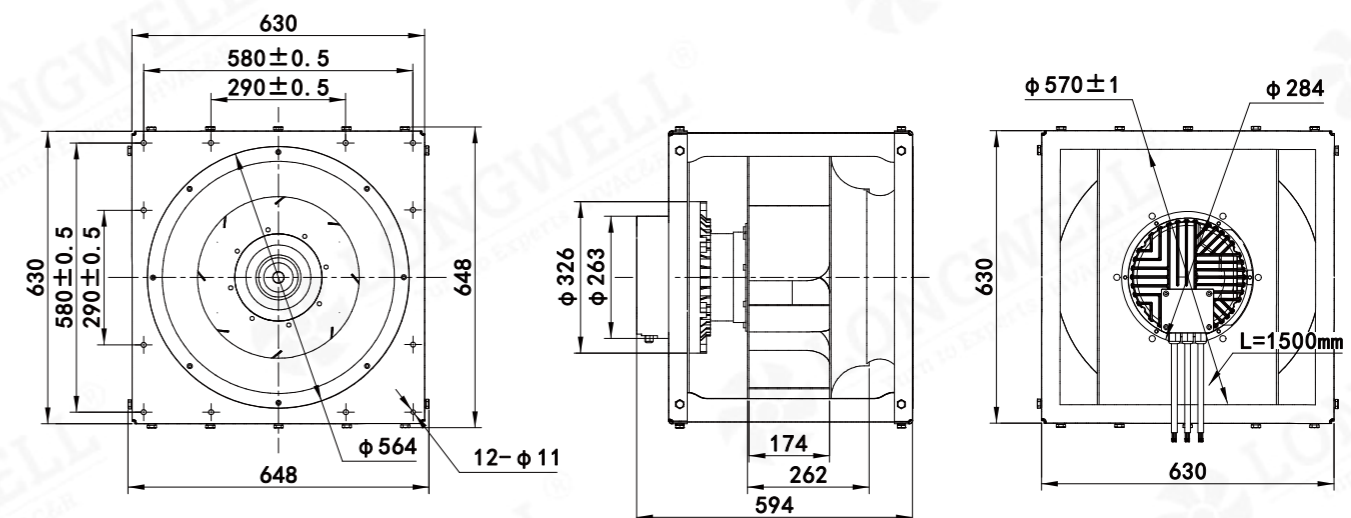
## Technical Specifications

Model	Voltage (V)	Input Power (W)	Current (A)	Air Volume (m³/h)	Static Pressure (Pa)	Speed (RPM)	Noise [dB(A)]
LWBE3G560-188PT-08	380	4700	7.9	19760	1545	1850	91

## LWBE3G560-188NT-14 (without bracket)



## LWBE3G560-188PT-08 (with bracket)



# LWBE-560 Serie



## Product Characteristic

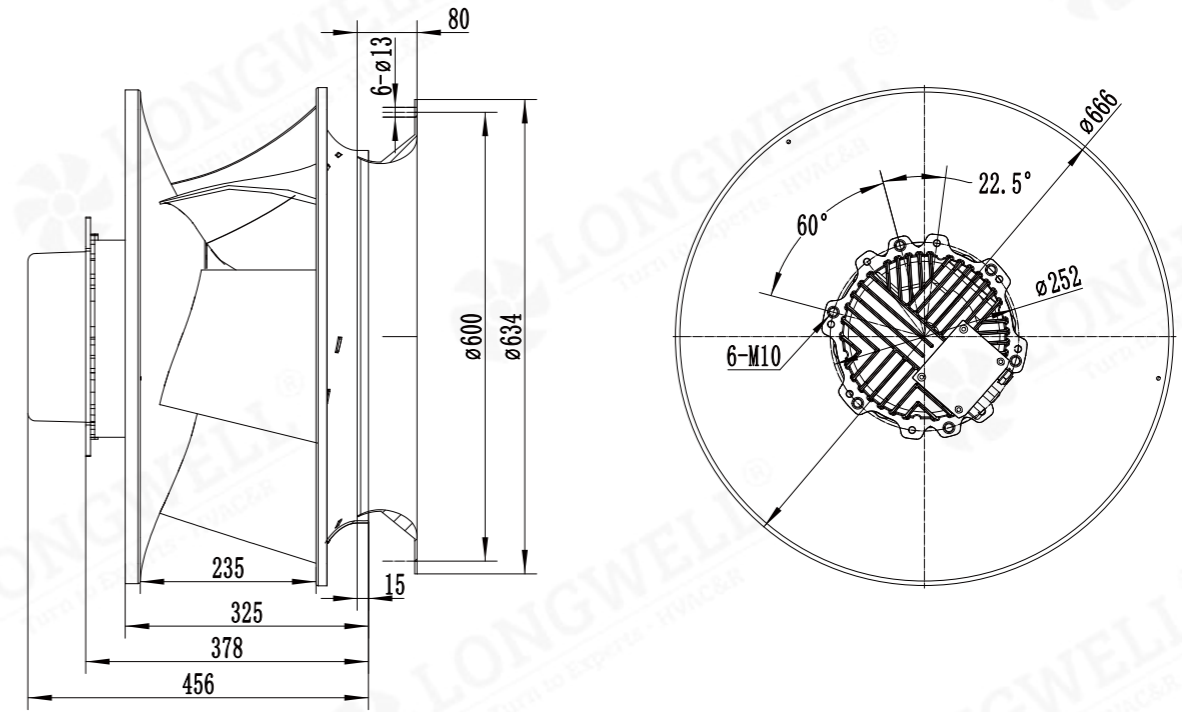
- Impeller Material: Aluminum Alloy
- Supply Voltage: 400V,50/60Hz
- Mode of Operation: S1
- Protection Class: IP54
- Insulation Class: F
- Operation Temperature: -25 C ~+60 C
- Technical Feature: Control input 0-10VDC/PWM, Tach output, Locked-Rotor protection, Reverse Polarity Over-voltage protection, Soft Start Protection.



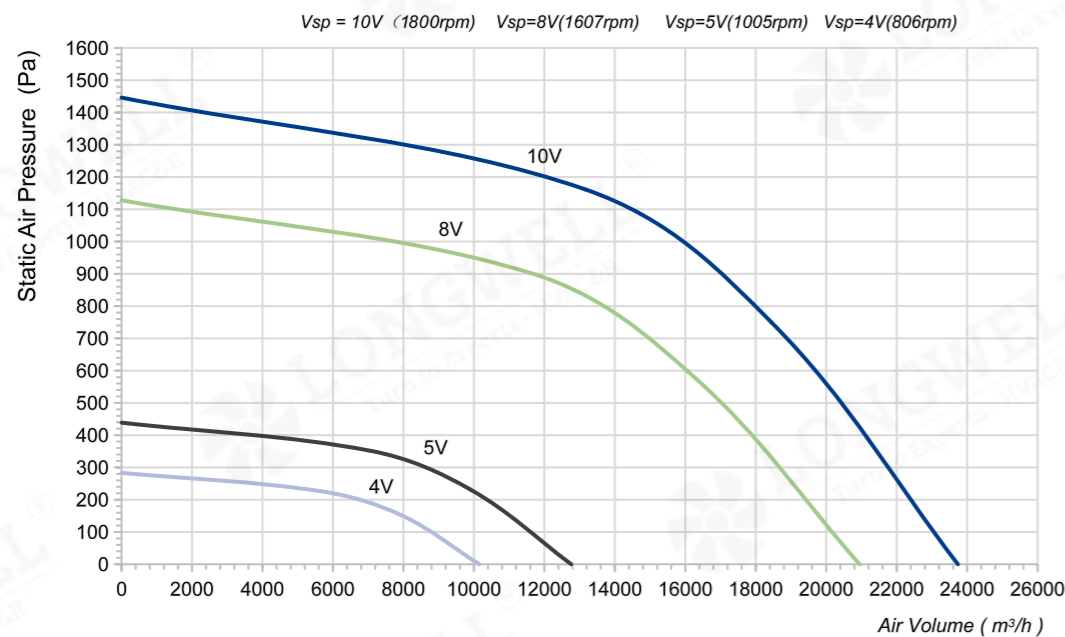
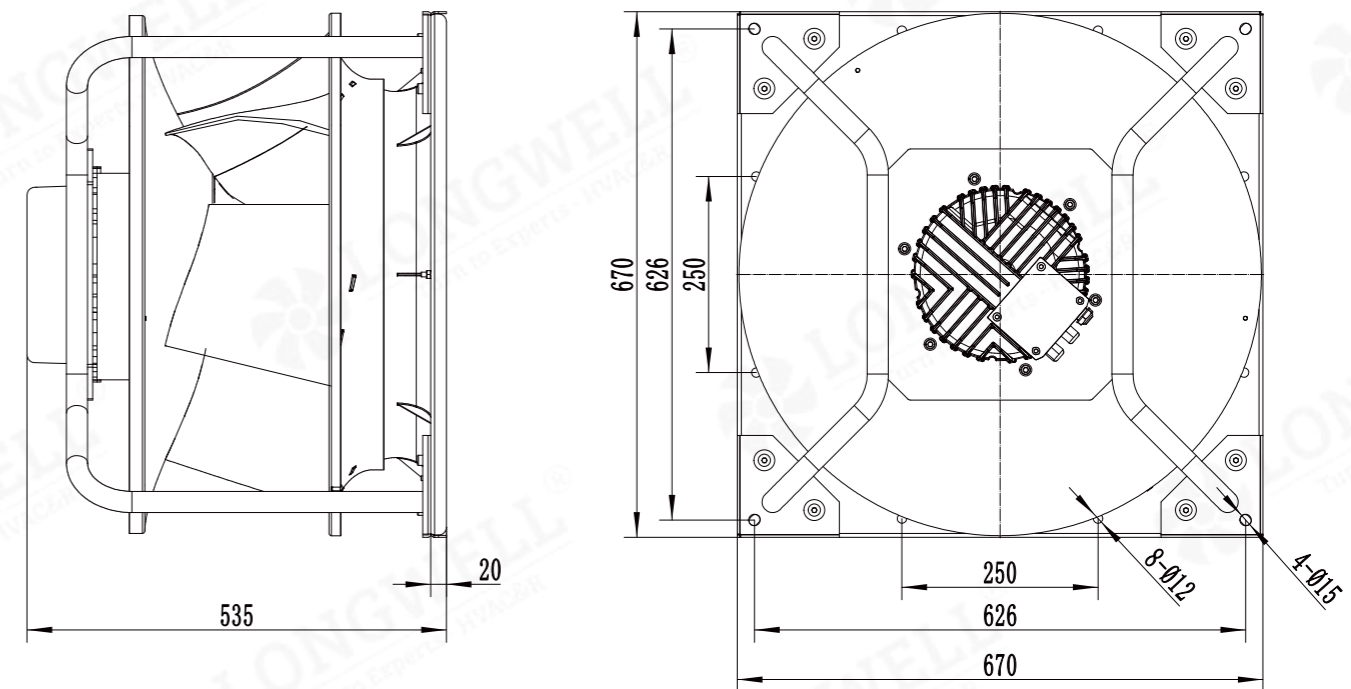
## Technical Specifications

Model	Voltage (V)	Input Power (W)	Current (A)	Air Volume (m³/h)	Static Pressure (Pa)	Speed (RPM)	Noise [dB(A)]
LWBE3G560-218PT-06	400	5600	9.5	23896	1442	1800	/

### LWBE3G560-218NT-13 (without bracket)



### LWBE3G560-218PT-06 (with bracket)



# LWBE-630 Serie



## Product Characteristic

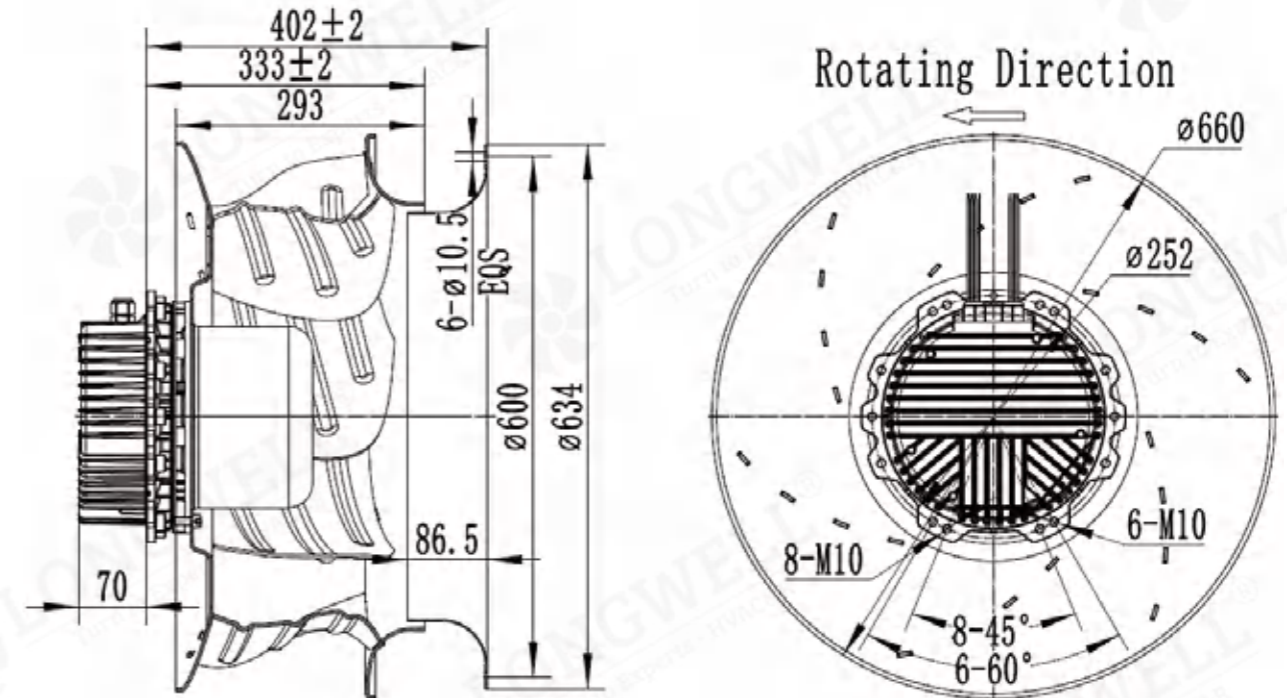
- Impeller Material: Aluminum Alloy
- Supply Voltage: 400V,50/60Hz
- Mode of Operation: S1
- Protection Class: IP54
- Insulation Class: F
- Operation Temperature: -25 C ~+60 C
- Technical Feature: Control input 0-10VDC/PWM, Tach output, Locked-Rotor protection, Reverse Polarity Over-voltage protection, Soft Start Protection.



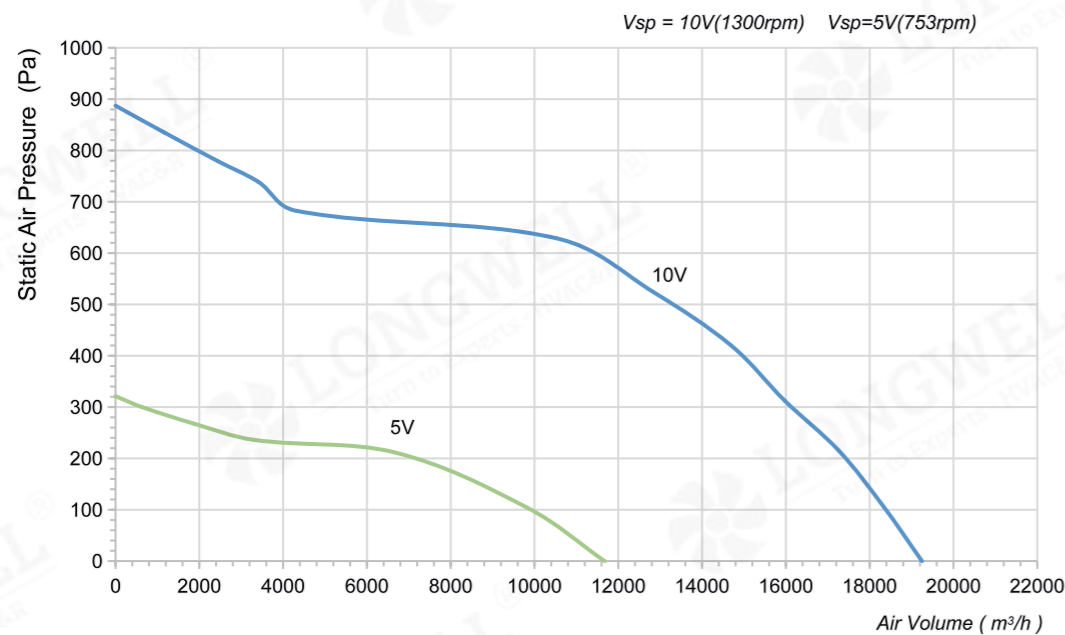
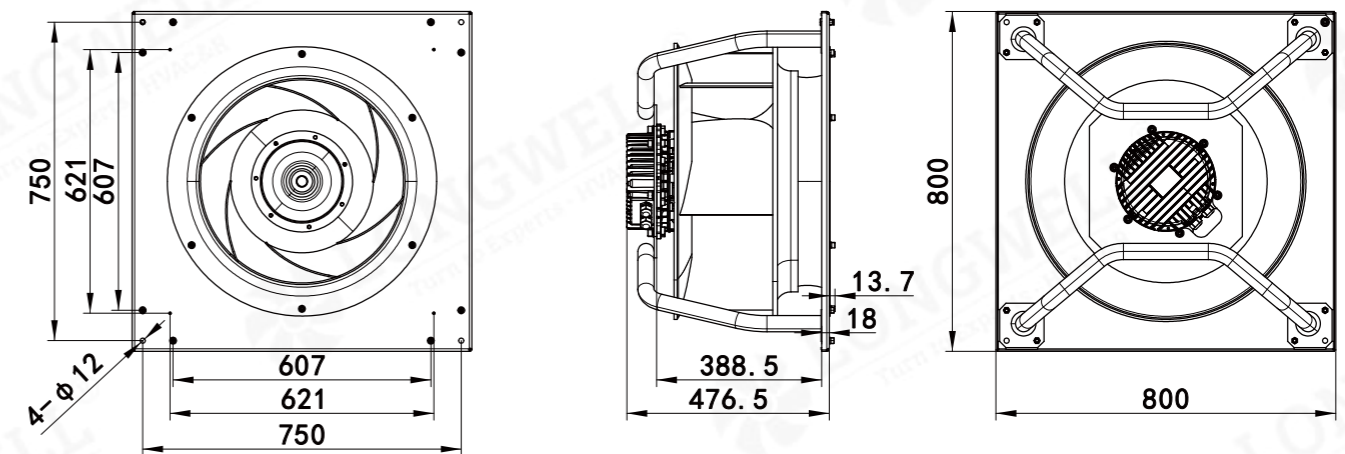
## Technical Specifications

Model	Voltage (V)	Input Power (W)	Current (A)	Air Volume (m³/h)	Static Pressure (Pa)	Speed (RPM)	Noise [dB(A)]
LWBE3G630-188PT-01	400	2195	4.8	19247	887	1300	/

### LWBE3G630-188NT-06 (without bracket)



### LWBE3G630-188PT-01 (with bracket)



# LWBE-630 Serie



## Product Characteristic

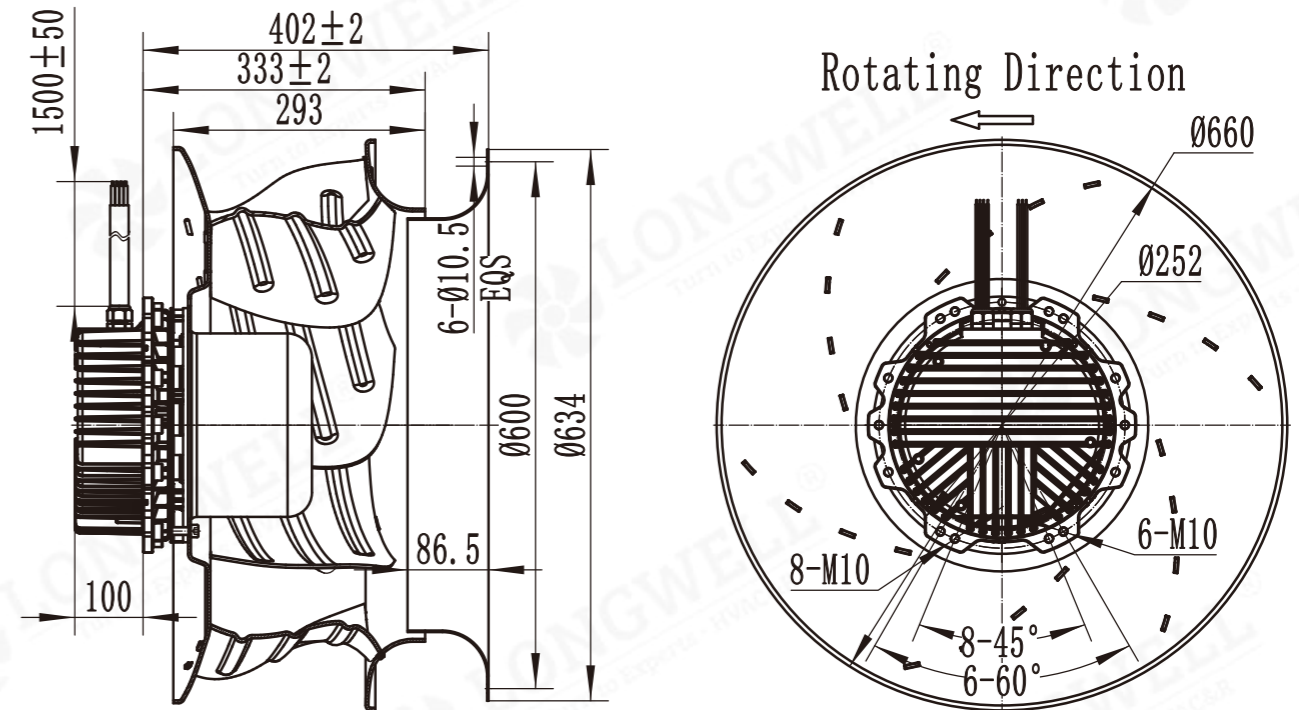
- Impeller Material: Aluminum Alloy
- Supply Voltage: 400V,50/60Hz
- Mode of Operation: S1
- Protection Class: IP54
- Insulation Class: F
- Operation Temperature: -25 C ~+60 C
- Technical Feature: Control input 0-10VDC/PWM, Tach output, Locked-Rotor protection, Reverse Polarity Over-voltage protection, Soft Start Protection.



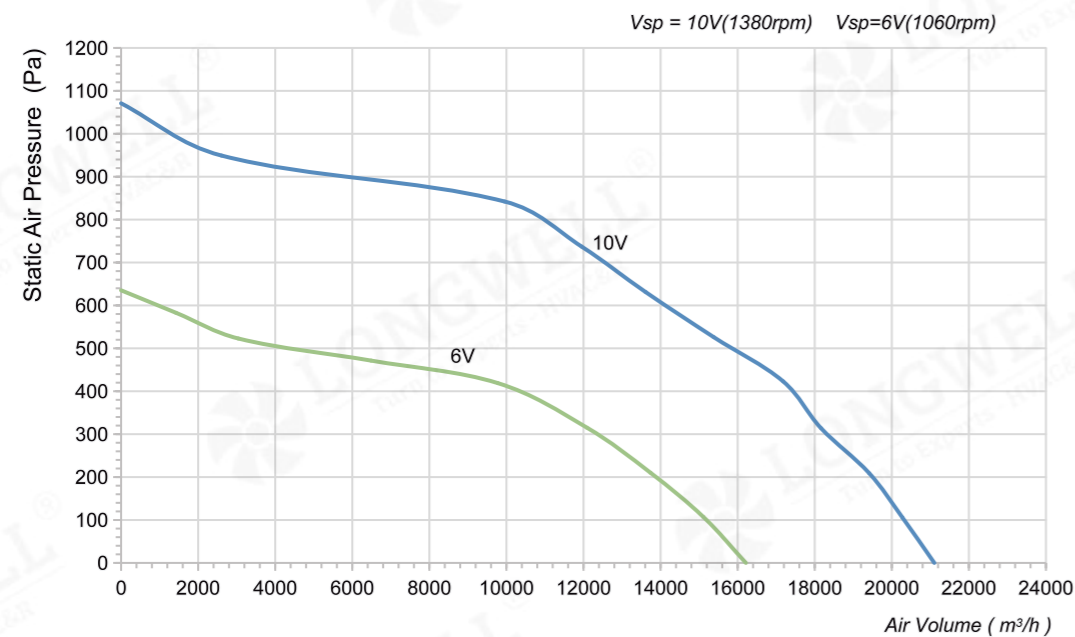
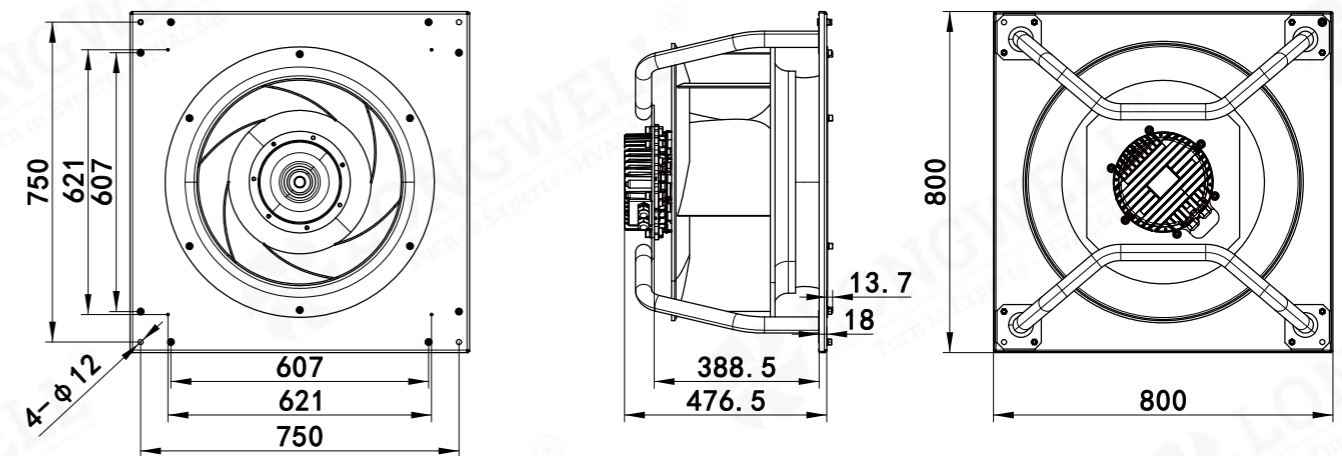
## Technical Specifications

Model	Voltage (V)	Input Power (W)	Current (A)	Air Volume (m³/h)	Static Pressure (Pa)	Speed (RPM)	Noise [dB(A)]
LWBE3G630-188PT-02	400	2955	6.5	21100	1071	1380	/

### LWBE3G630-188NT-07 (without bracket)



### LWBE3G630-188PT-02 (with bracket)



# LWBE-630 Serie

## Product Characteristic

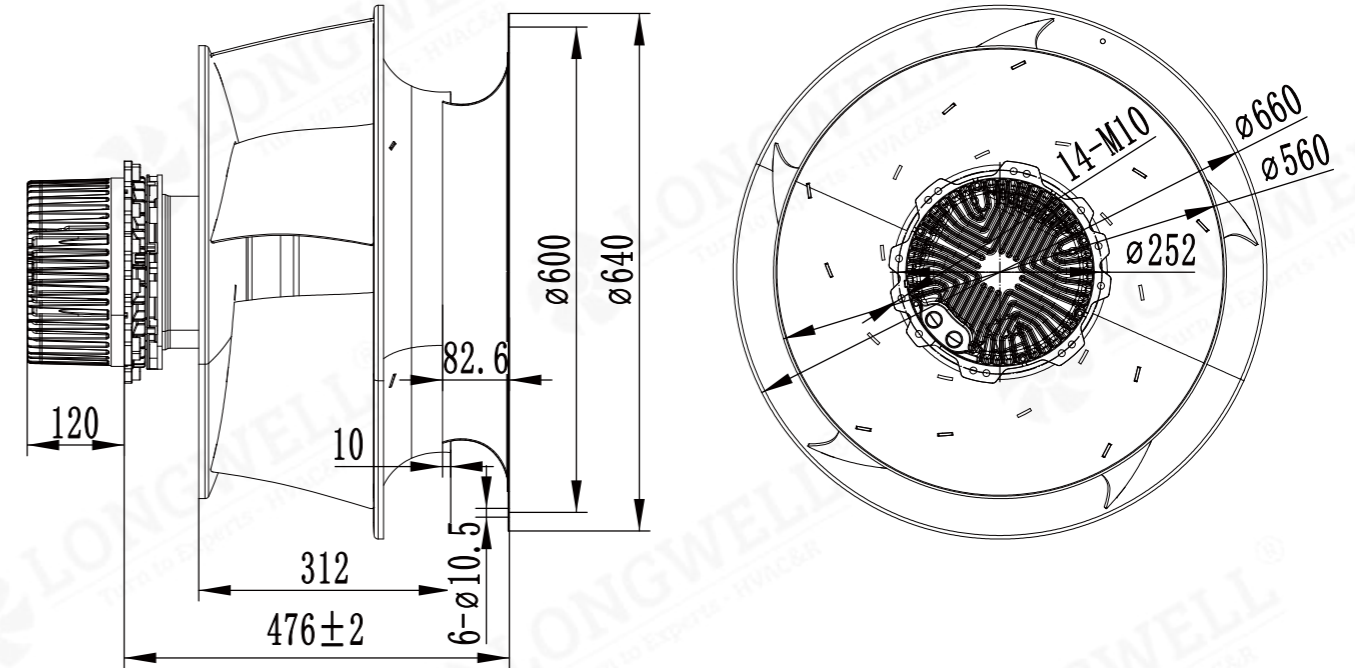
- Impeller Material: Aluminum Alloy
- Supply Voltage: 400V,50/60Hz
- Mode of Operation: S1
- Protection Class: IP54
- Insulation Class: F
- Operation Temperature: -25 C ~+60 C
- Technical Feature: Control input 0-10VDC/PWM, Tach output, Locked-Rotor protection, Reverse Polarity Over-voltage protection, Soft Start Protection.



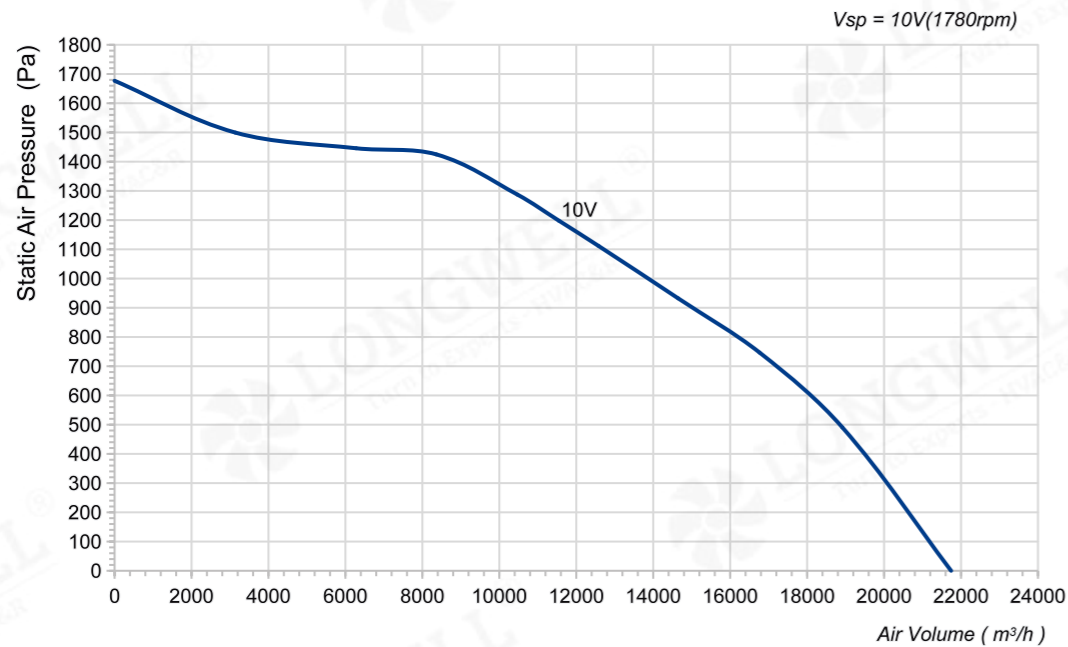
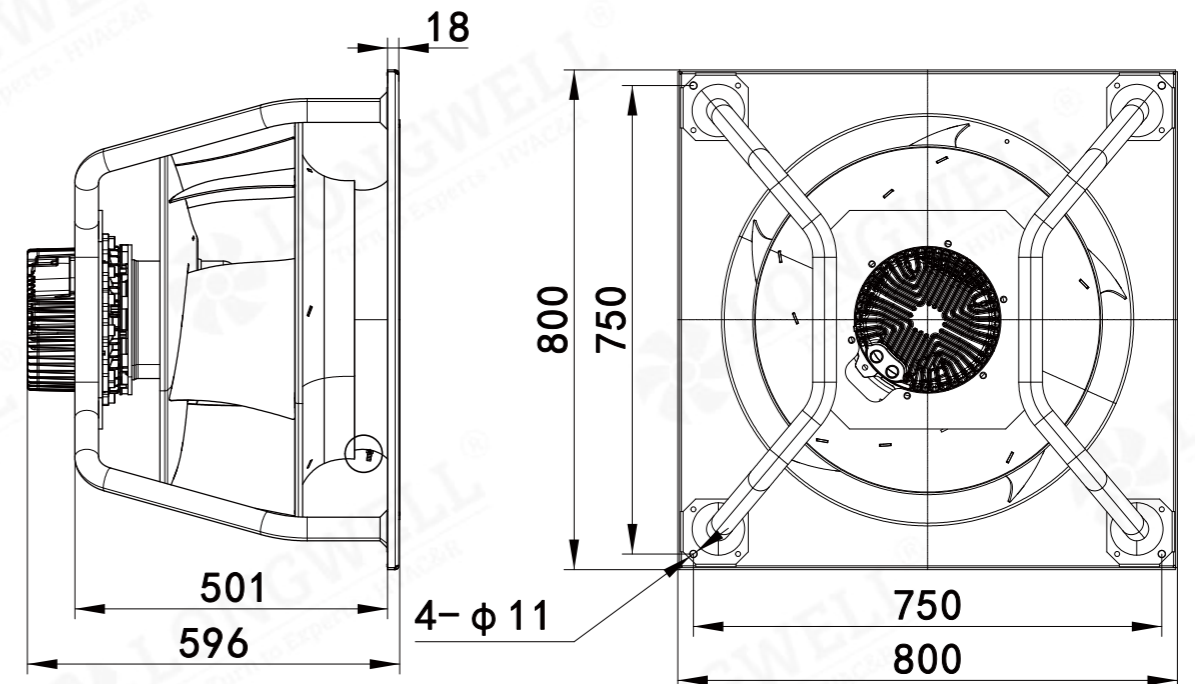
## Technical Specifications

Model	Voltage (V)	Input Power (W)	Current (A)	Air Volume (m³/h)	Static Pressure (Pa)	Speed (RPM)	Noise [dB(A)]
LWBE3G630-188PT-04	400	5600	8.1	21742	1677	1780	/

### LWBE3G630-188NT-09 (without bracket)



### LWBE3G630-188PT-04 (with bracket)



# LWBE-630 Serie



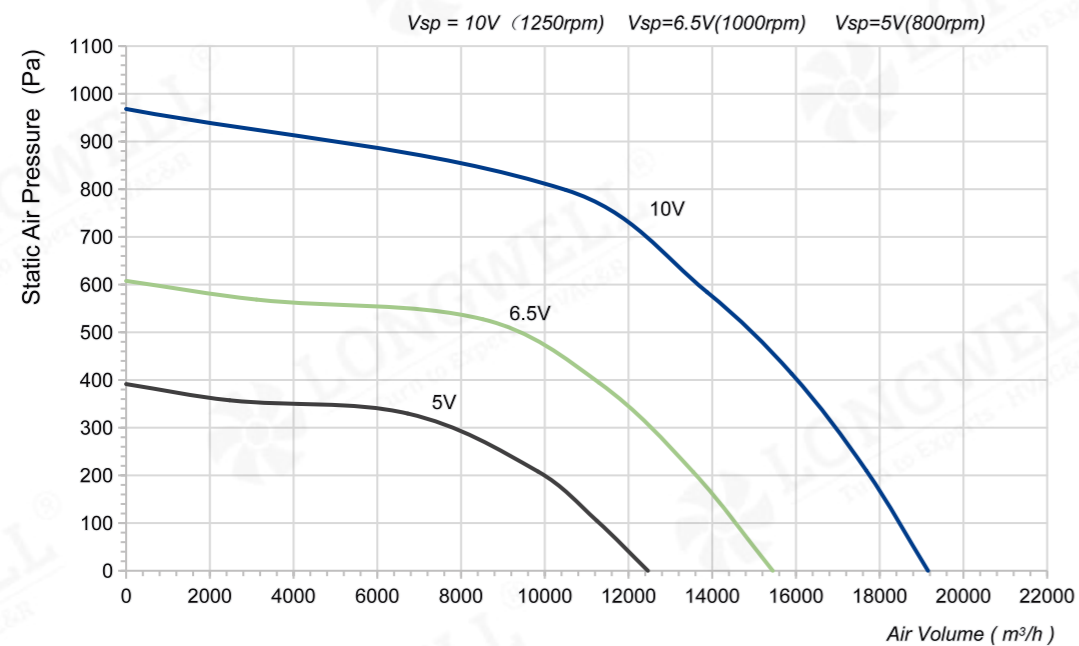
## Product Characteristic

- Impeller Material: Aluminum Alloy
- Supply Voltage: 400V,50/60Hz
- Mode of Operation: S1
- Protection Class: IP54
- Insulation Class: F
- Operation Temperature: -25 C ~ +60 C
- Technical Feature: Control input 0-10VDC/PWM, Tach output, Locked-Rotor protection, Reverse Polarity Over-voltage protection, Soft Start Protection.

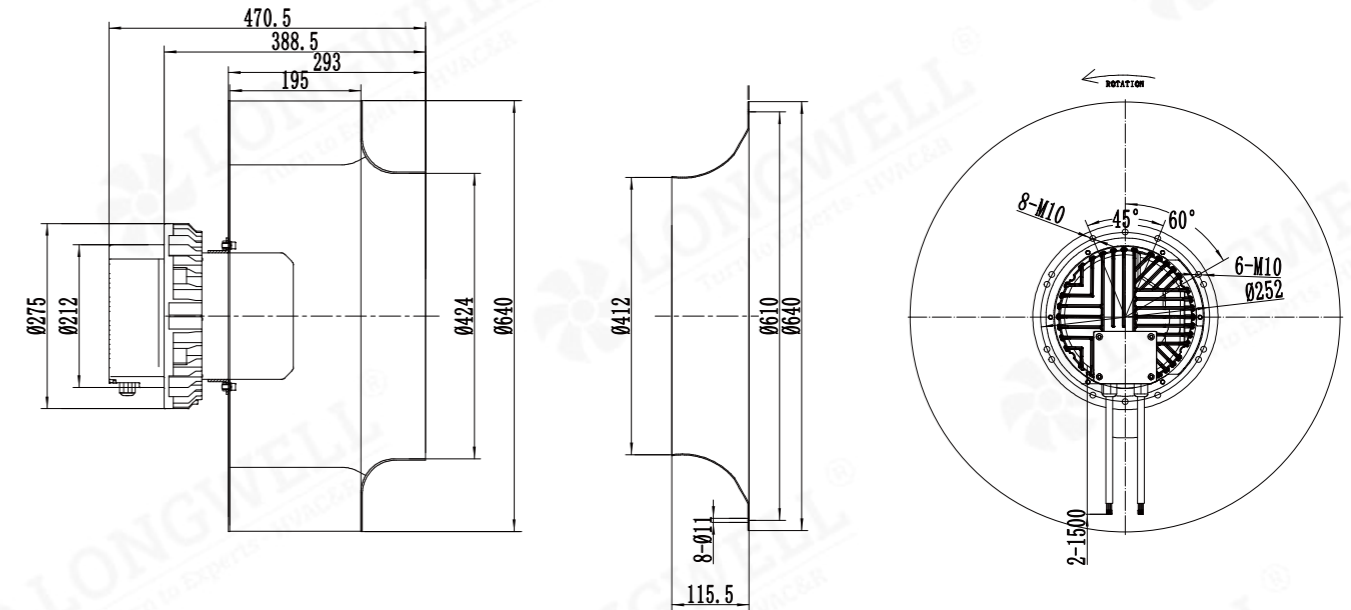


## Technical Specifications

Model	Voltage (V)	Input Power (W)	Current (A)	Air Volume (m³/h)	Static Pressure (Pa)	Speed (RPM)	Noise [dB(A)]
LWBE3G630-188PT-05	400	3600	4.4	19158	968	1250	/



### LWBE3G630-188NT-10 (without bracket)



### LWBE3G630-188PT-05 (with bracket)

